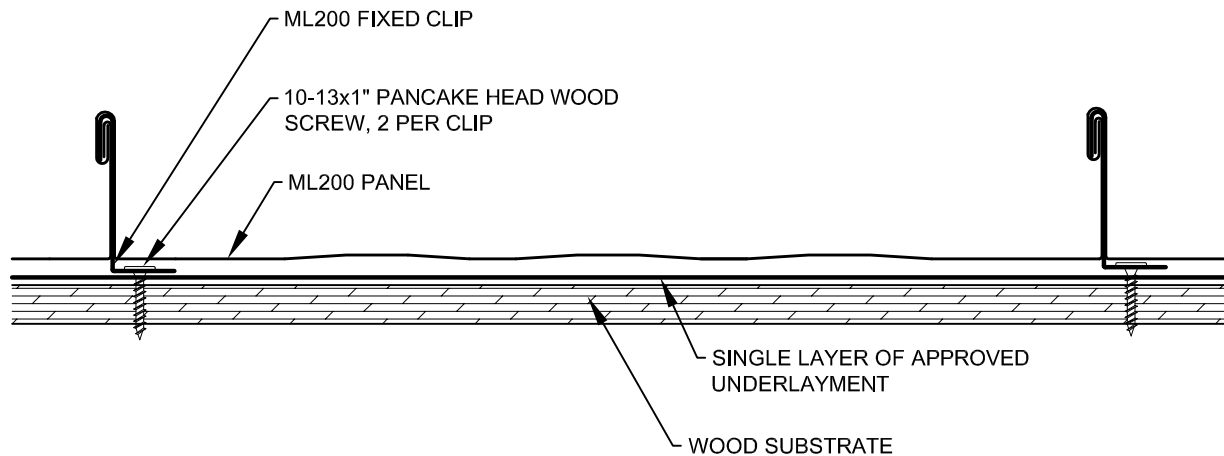




ML200 Standing Seam Wood Substrate Master Details

Architectural / Solid Substrate / Steep Slope

The following details are commonly used over steep sloped applications including those over solid substrates such as plywood or steel decking with rigid insulation. Such details are largely based on hydrokinetic (water shedding) design principles and architectural detailing.



FAYETTEVILLE, NC
888-685-7663

SPENCER, NC
800-526-8156

ANDERSON, SC
800-544-5169

TIFTON, GA
800-962-9131

ORANGE, VA
800-762-6785

OCALA, FL
800-331-3584

VICKSBURG, MS
888-661-0577

TIPP CITY, OH
877-615-9812

OKLAHOMA CITY, OK
866-373-5286

SCRANTON, PA
866-695-6455



ML200 Standing Seam

-Wood Substrate-

Fixed Clip and Expansion Clip

Index

Panel Information **Detail No.**

Panel Application	0.10_FX
Panel Application	0.10_EX
System Overview - Panel Profiles.....	0.20
System Overview - Clips	0.21
Thermal Gap Installation Chart - Steel.....	0.30
Thermal Gap Installation Chart - Aluminum.....	0.31

Eave Details **Detail No.**

Extended Eave	1.10_FX
Extended Eave	1.10_EX
Extended Eave - Steep Slope	1.10A_FX
Extended Eave - Steep Slope	1.10A_EX
Extended Eave with Gutter	1.20_FX
Extended Eave with Gutter	1.20_EX
Extended Eave with Gutter - Steep Slope	1.20A_FX
Extended Eave with Gutter - Steep Slope	1.20A_EX
Extended Eave with Soffit	1.30_FX
Extended Eave with Soffit	1.30_EX
Extended Eave with Soffit & Gutter	1.40_FX
Extended Eave with Soffit & Gutter	1.40_EX
Extended Eave with Vertical Flush Panel	1.50_FX
Extended Eave with Vertical Flush Panel	1.50_EX
Extended Eave with Vertical Standing Seam Panel	1.60_FX
Extended Eave with Vertical Standing Seam Panel	1.60_EX
Extended Eave Lap Detail	1.90

Gable Details **Detail No.**

Gable - Extended Drip	2.10_FX
Gable - Extended Drip	2.10_EX
Gable - Box	2.20_FX
Gable - Box	2.20_EX
Gable - Box with Zee Closure	2.30_FX
Box Gable Lap Detail	2.90

Valley Details **Detail No.**

Valley - Integral Cleat	3.10
Valley - Offset Cleat	3.20
Valley Lap Detail	3.90



ML200 Standing Seam

-Wood Substrate-

Fixed Clip and Expansion Clip

Index

Ridge & Hip Details **Detail No.**

Standard Ridge & Hip	4.10_FX
Standard Ridge & Hip	4.10_EX
Vented Ridge	4.20_FX
Vented Ridge	4.20_EX
Vented Ridge-to-Standard Ridge Transition	4.30
Ridge Termination at Valley	4.40
Ridge & Hip Lap Detail	4.90
Ridge Cap Expansion Detail	4.91

Peak Details **Detail No.**

Peak Detail	5.10_FX
Peak Detail	5.10_EX
Vented Peak Detail	5.20_FX
Vented Peak Detail	5.20_EX
Peak Detail with Vertical Flush Panel	5.40_FX
Peak Detail with Vertical Flush Panel	5.40_EX

High Wall & Low Wall Details **Detail No.**

High Wall - Reglet	6.10_FX
High Wall - Reglet	6.10_EX
Vented High Wall - Reglet	6.11_FX
Vented High Wall - Reglet	6.11_EX
High Wall - Surface Mount	6.12_FX
High Wall - Surface Mount	6.12_EX
High Wall - Vertical Panel with Sill	6.14_FX
High Wall - Vertical Panel with Sill	6.14_EX
High Wall - Parapet	6.20_FX
High Wall - Parapet	6.20_EX
Valley Wall Detail	6.30_FX
Valley Wall Detail	6.30_EX
High Wall Lap Detail	6.90

Sidewall Details **Detail No.**

Sidewall - Reglet with Subflashing Angle	7.11_FX
Sidewall - Reglet with Subflashing Angle	7.11_EX
Sidewall - Surface Mount with Subflashing Angle	7.12_FX
Sidewall - Surface Mount with Subflashing Angle	7.12_EX
Sidewall - Wood Framing & Siding with Subflashing Angle	7.13_FX
Sidewall - Wood Framing & Siding with Subflashing Angle	7.13_EX

(Continued...)



ML200 Standing Seam

-Wood Substrate-

Fixed Clip and Expansion Clip

Index

Sidewall Details (continued) **Detail No.**

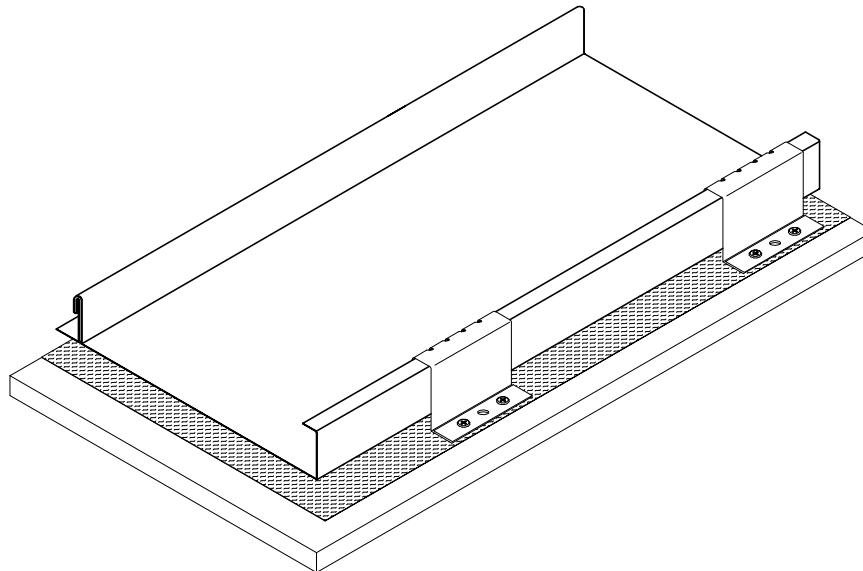
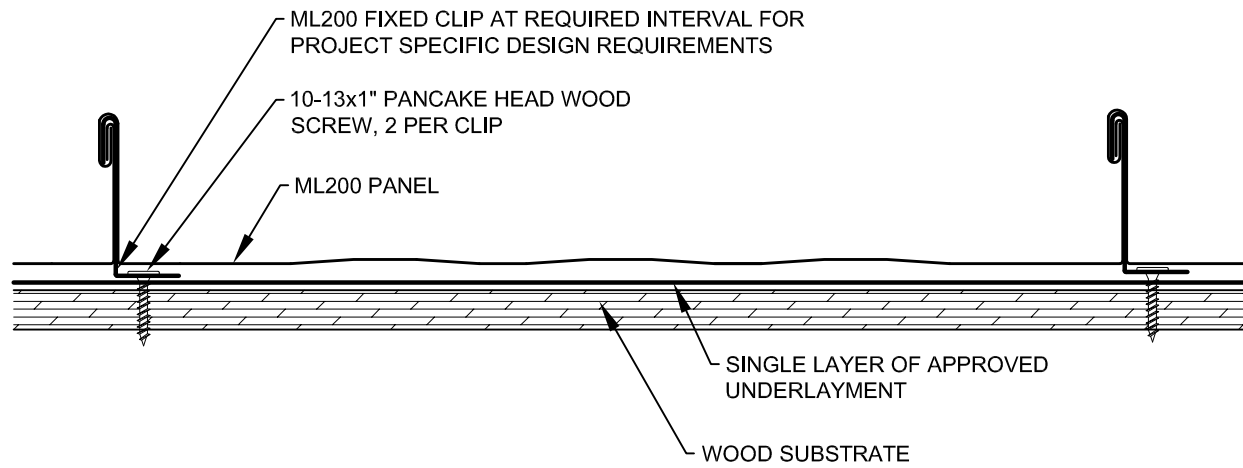
Sidewall - Reglet with J-Channel Subflashing	7.21_FX
Sidewall - Reglet with J-Channel Subflashing	7.21_EX
Sidewall - Surface Mount with J-Channel Subflashing	7.22_FX
Sidewall - Surface Mount with J-Channel Subflashing	7.22_EX
Sidewall - Wood Framing & Siding with J-Channel Subflashing	7.23_FX
Sidewall - Wood Framing & Siding with J-Channel Subflashing	7.23_EX
Sidewall - Reglet with Zee Closure	7.31_FX
Sidewall - Surface Mount with Zee Closure	7.32_FX
Sidewall - Wood Framing & Siding with Zee Closure	7.33_FX
Sidewall Expansion Joint	7.40_FX
Sidewall Expansion Joint	7.40_EX
Expansion Joint Mid-Roof.....	7.50_FX
Expansion Joint Mid-Roof.....	7.50_EX
Sidewall Lap Detail	7.90

Slope Transition Details **Detail No.**

Slope Transition	8.10_FX
Slope Transition	8.10_EX
Transition at Membrane Roofing	8.20

General Information Details **Detail No.**

Panel Hemming	10.10
End Lap Detail - Low Slope	10.14
End Lap Detail - Steep Slope	10.15
Zee Closure Installation	10.20
Pipe Penetration	10.30
Pipe Penetration Through Panel Rib	10.31
Curb at High Wall & Low Wall	10.40_FX
Curb at High Wall & Low Wall	10.40_EX
Curb at Sidewall	10.41_FX
Curb at Sidewall	10.41_EX
Curb Installation Detail	CRB 1-6



Description:

ML200 APPLICATION - FIXED CLIP

Detail No.:

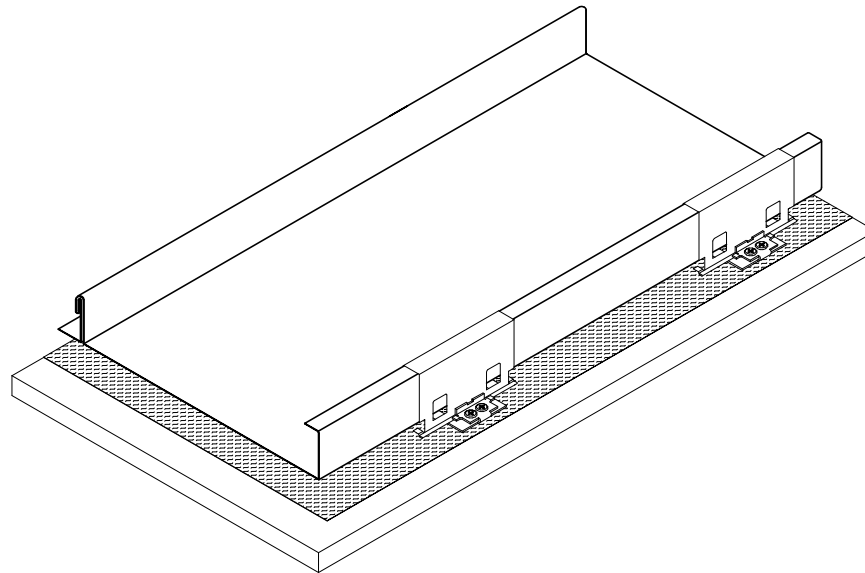
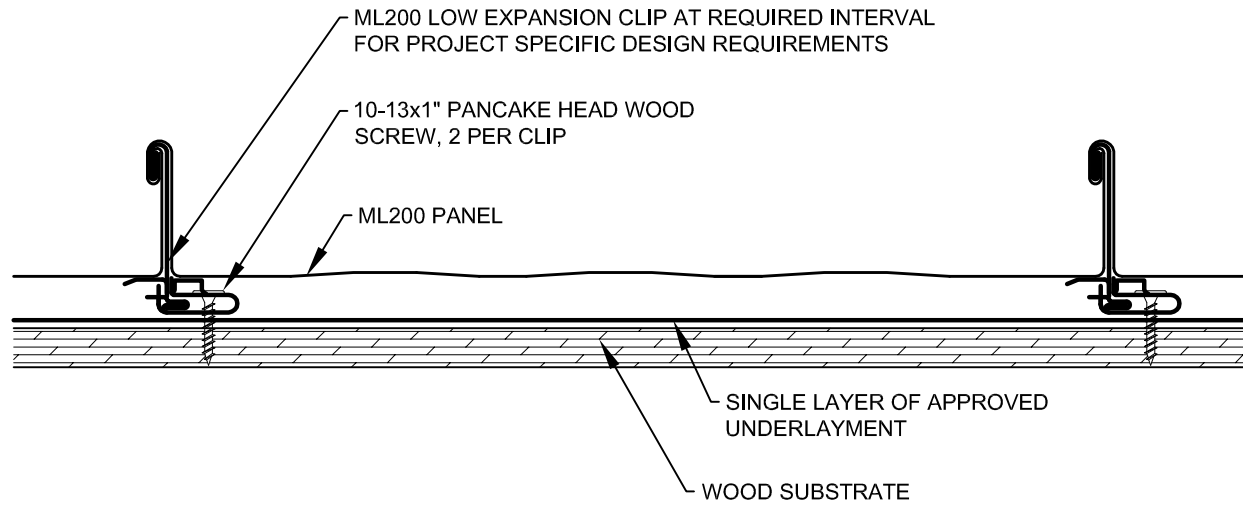
ML200-WS-0.10_FX

Substrate:

WOOD SUBSTRATE

Project Name:

Location:



Description:

ML200 APPLICATION - EXPANSION CLIP

Detail No.:

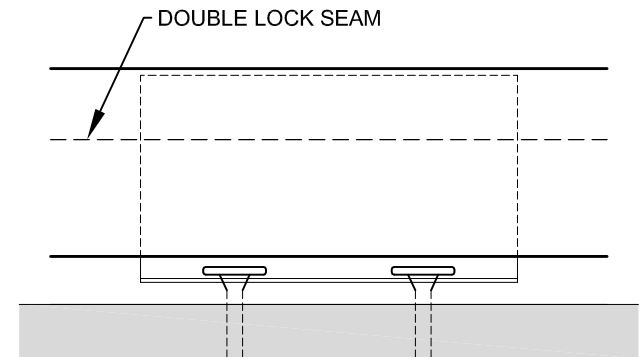
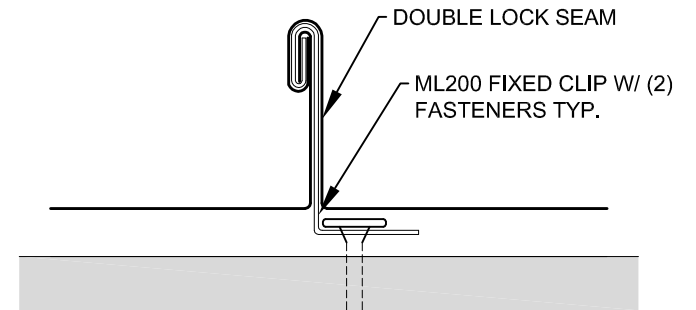
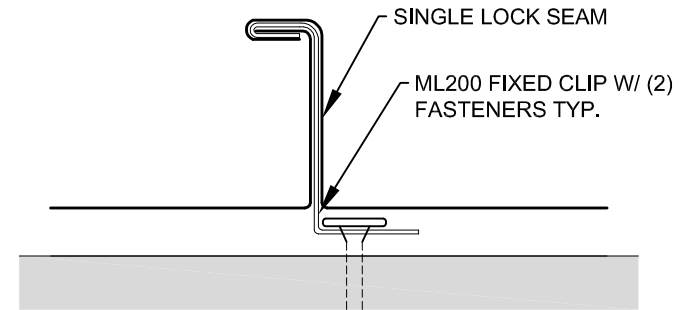
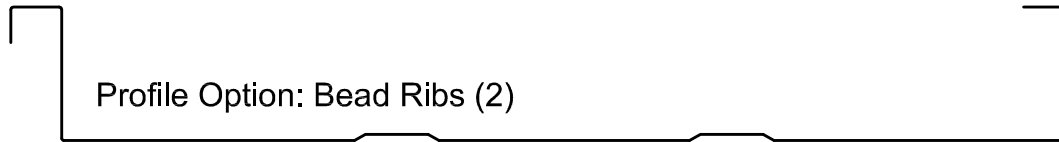
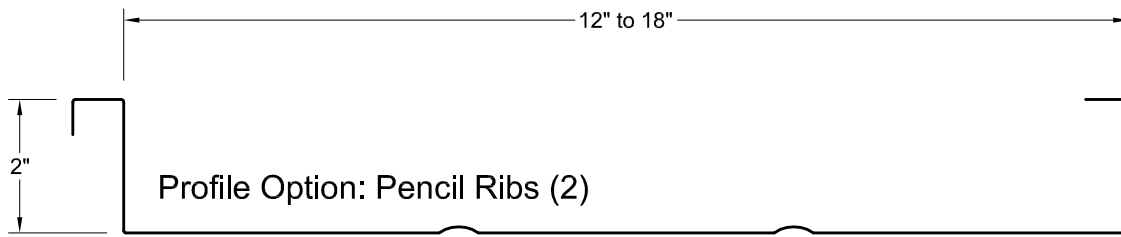
ML200-WS-0.10_EX

Substrate:

WOOD SUBSTRATE

Project Name:

Location:

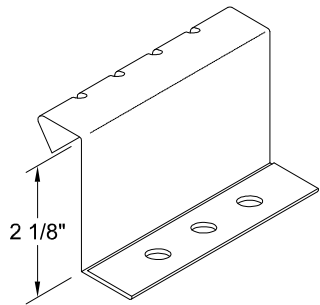


Description: **ML200 SYSTEM OVERVIEW - PANEL PROFILES**

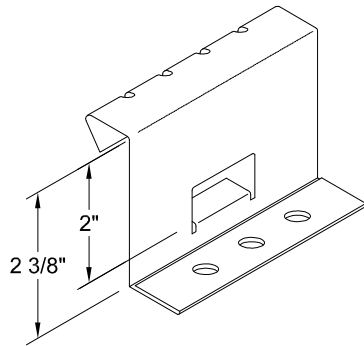
Detail No.: ML200-0.20

Substrate:

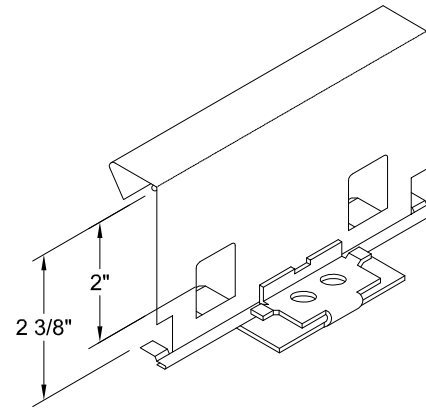
Project Name:
Location:



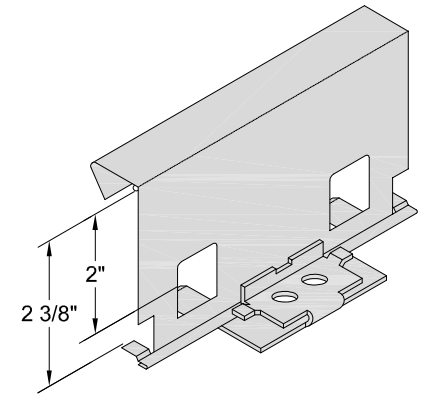
Clip 40 Fixed
 22 Ga. Galvanized
 2.125" x 3.25"



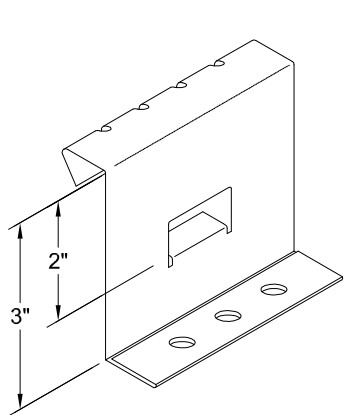
Clip 41 Fixed
 22 Ga. Galvanized
 2.375" x 3.25" (0.375" Substrate Standoff)



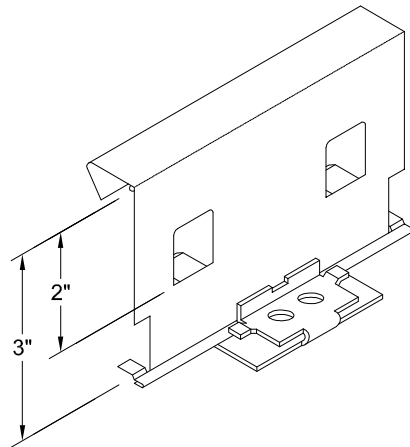
Clip 42 Expansion
 22 Ga. Galvanized w/ 16 Ga. Base
 2.375" x 4.25" (0.375" Substrate Standoff)
 Use with up to 3" of blanket insulation



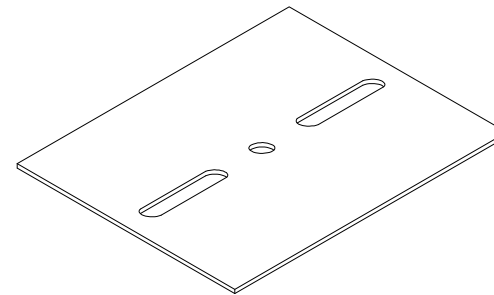
Clip 43 Expansion
 22 Ga. Stainless Steel w/ 16 Ga. Base
 2.375" x 4.25" (0.375" Substrate Standoff)
Recommended for use with aluminum panels
 Use with up to 3" of blanket insulation



Clip 44 Fixed
 22 Ga. Galvanized
 3" x 3" (1" Substrate Standoff)
 Use with up to 6" of blanket insulation



Clip 45 Expansion
 22 Ga. Galvanized w/ 16 Ga. Base
 3" x 3" (1" Substrate Standoff)
 Use with up to 6" of blanket insulation



4" x 5" Bearing Plate
 16 Ga. Galvanized
Required for use when clips are applied directly over rigid board insulation

IMPORTANT INSTALLATION NOTE
 EXPANSION CLIPS ARE RECOMMENDED FOR PANEL LENGTHS GREATER THAN 30'-0".



Description:

ML200 SYSTEM OVERVIEW - CLIPS

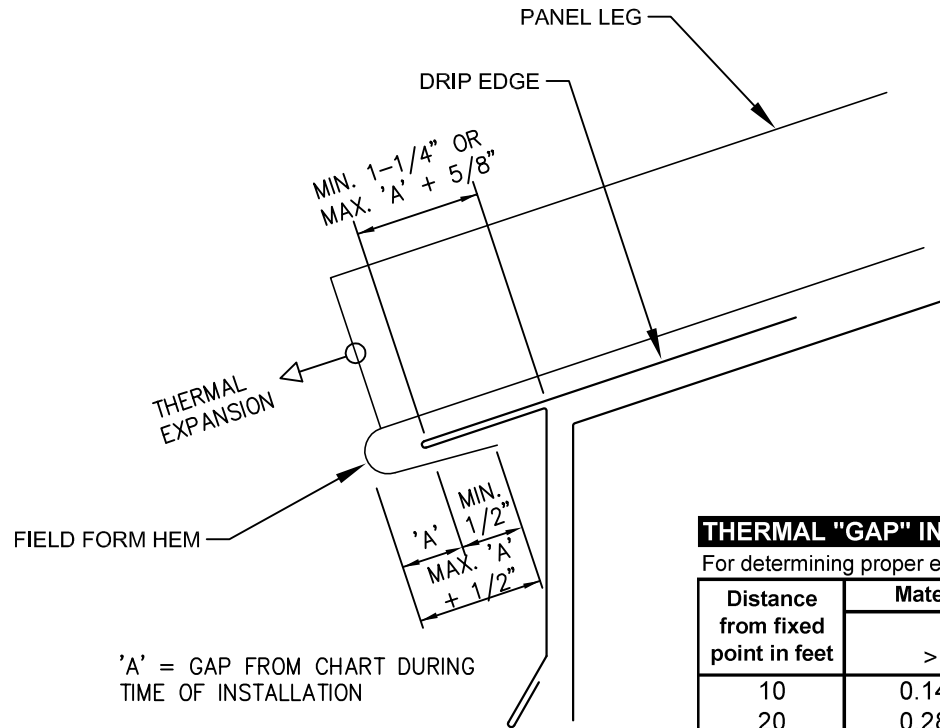
Detail No.:

ML200-0.21

Substrate:

Project Name:

Location:



THERMAL "GAP" INSTALLATION CHART (In inches) - STEEL

For determining proper expansion/contraction gap at panel ends during installation

Distance from fixed point in feet	Material Temperature (Surface Temperature) During Installation					
	Hot >100° F		Warm 100° to 50° F		Cold <50° F	
10	0.145	1/8	0.072	1/16	0.000	0
20	0.289	5/16	0.145	1/8	0.000	0
30	0.434	7/16	0.217	3/16	0.125	1/8
40	0.579	9/16	0.289	5/16	0.125	1/8
50	0.724	3/4	0.362	3/8	0.188	3/16
60	0.868	7/8	0.434	7/16	0.188	3/16
70	1.013	1	0.507	1/2	0.250	1/4
80	1.158	1 3/16	0.579	9/16	0.250	1/4
90	1.302	1 5/16	0.651	5/8	0.375	3/8
100	1.447	1 7/16	0.724	3/4	0.375	3/8

* Chart based on temperature differential of: 180 degrees F

* Coefficient of thermal expansion for steel: 0.0000067



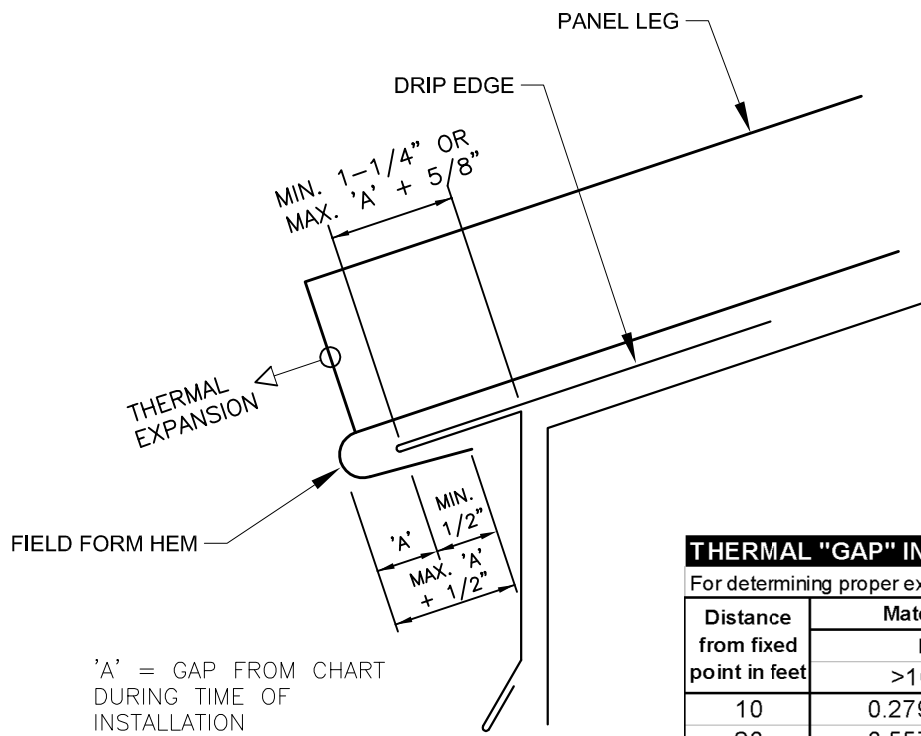
Description: THERMAL GAP INSTALLATION CHART - STEEL

Detail No.: ML200-0.30

Substrate:

Project Name:

Location:



THERMAL "GAP" INSTALLATION CHART (In inches) - ALUMINUM

For determining proper expansion/contraction gap at panel ends during installation

Distance from fixed point in feet	Material Temperature (Surface Temperature) During Installation					
	Hot		Warm		Cold	
	>100° F		100° to 50° F		<50° F	
10	0.279	1/4	0.139	1/8	0.000	0
20	0.557	9/16	0.279	1/4	0.000	0
30	0.836	13/16	0.418	7/16	0.125	1/8
40	1.115	1 1/8	0.557	9/16	0.125	1/8
50	1.393	1 3/8	0.697	11/16	0.188	3/16
60	1.672	1 11/16	0.836	13/16	0.188	3/16
70	1.950	1 15/16	0.975	1	0.250	1/4
80	2.229	2 1/4	1.115	1 1/8	0.250	1/4
90	2.508	2 1/2	1.254	1 1/4	0.375	3/8
100	2.786	2 13/16	1.393	1 3/8	0.375	3/8

* Chart based on temperature differential of: 180 degrees F

* Coefficient of thermal expansion for alum.: 0.0000129



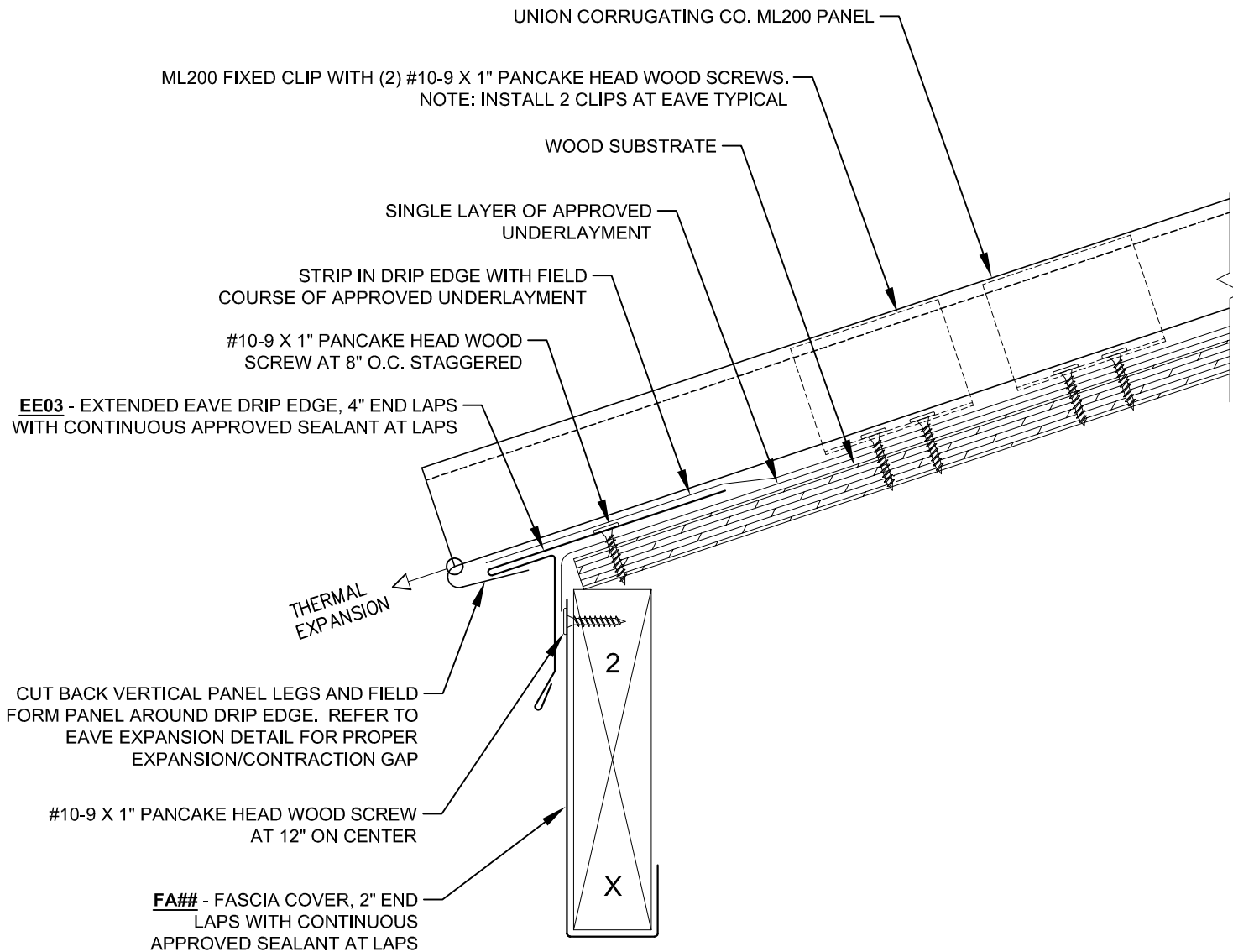
Description: **THERMAL GAP INSTALLATION CHART - ALUMINUM**

Detail No.: ML200-0.31

Substrate:

Project Name:

Location:



Description:

EXTENDED EAVE - FIXED CLIP

Detail No.:

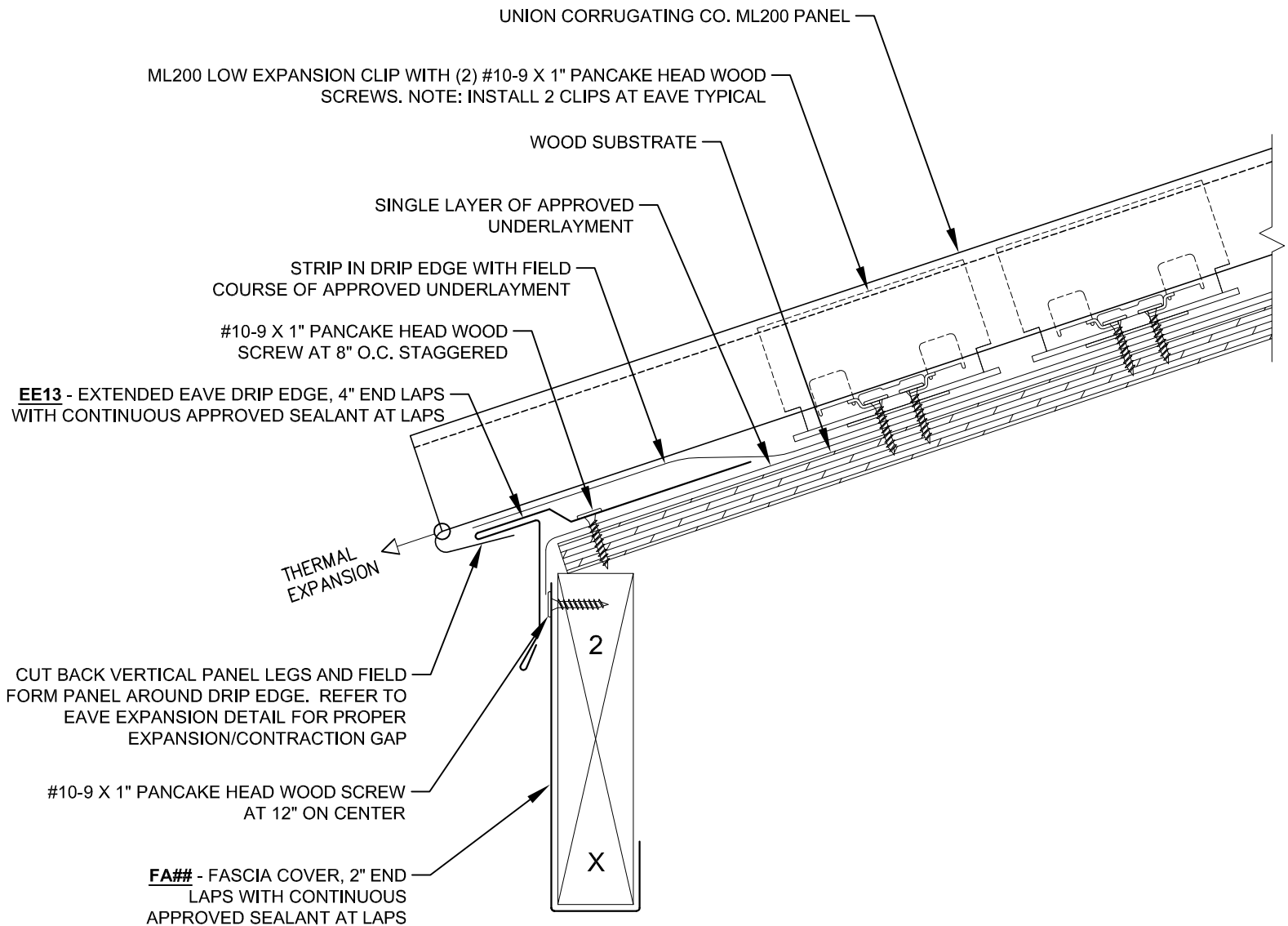
ML200-WS-1.10_FX

Substrate:

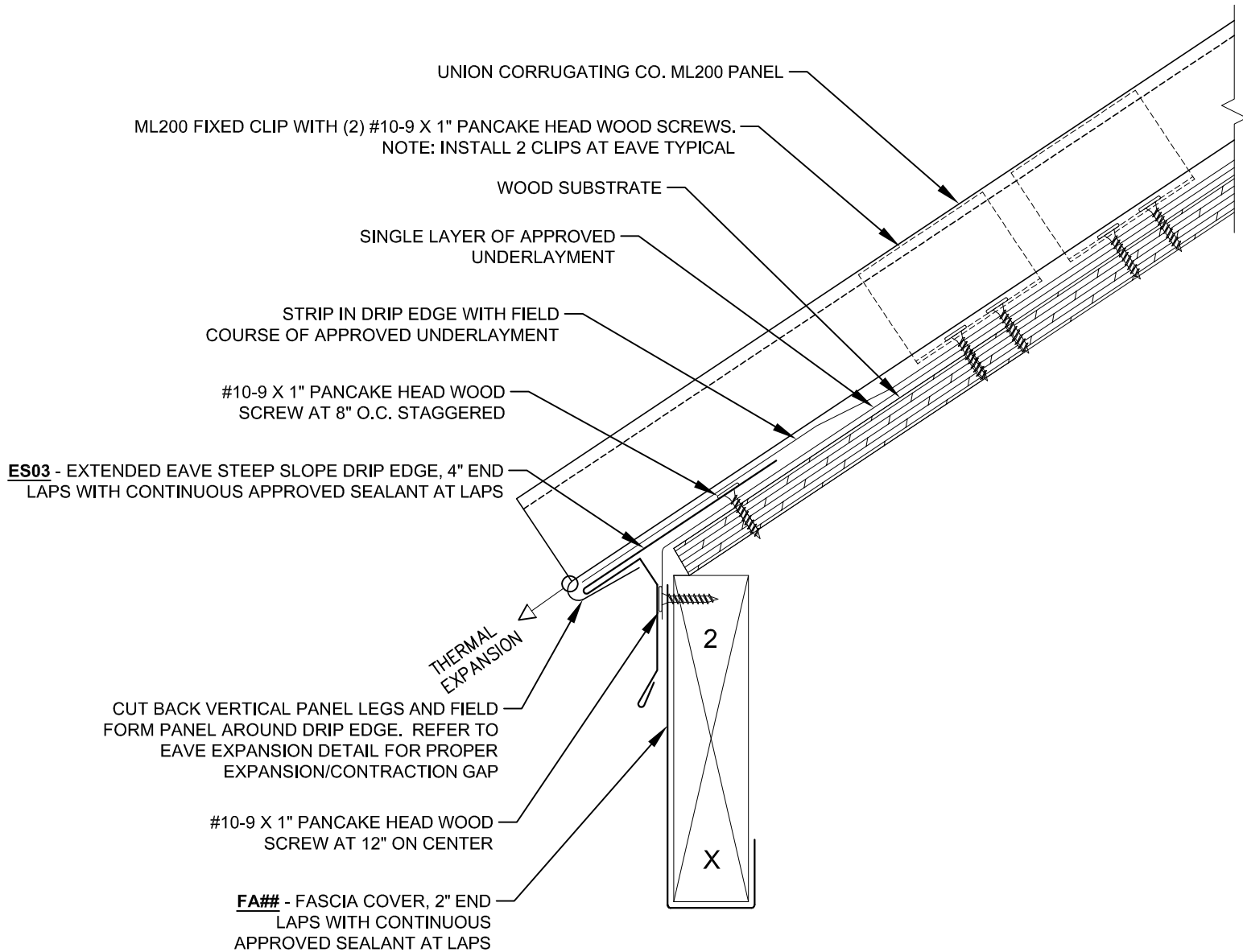
WOOD SUBSTRATE

Project Name:

Location:



Description:	EXTENDED EAVE - EXPANSION CLIP		Detail No.: ML200-WS-1.10_EX
	Substrate:	WOOD SUBSTRATE	

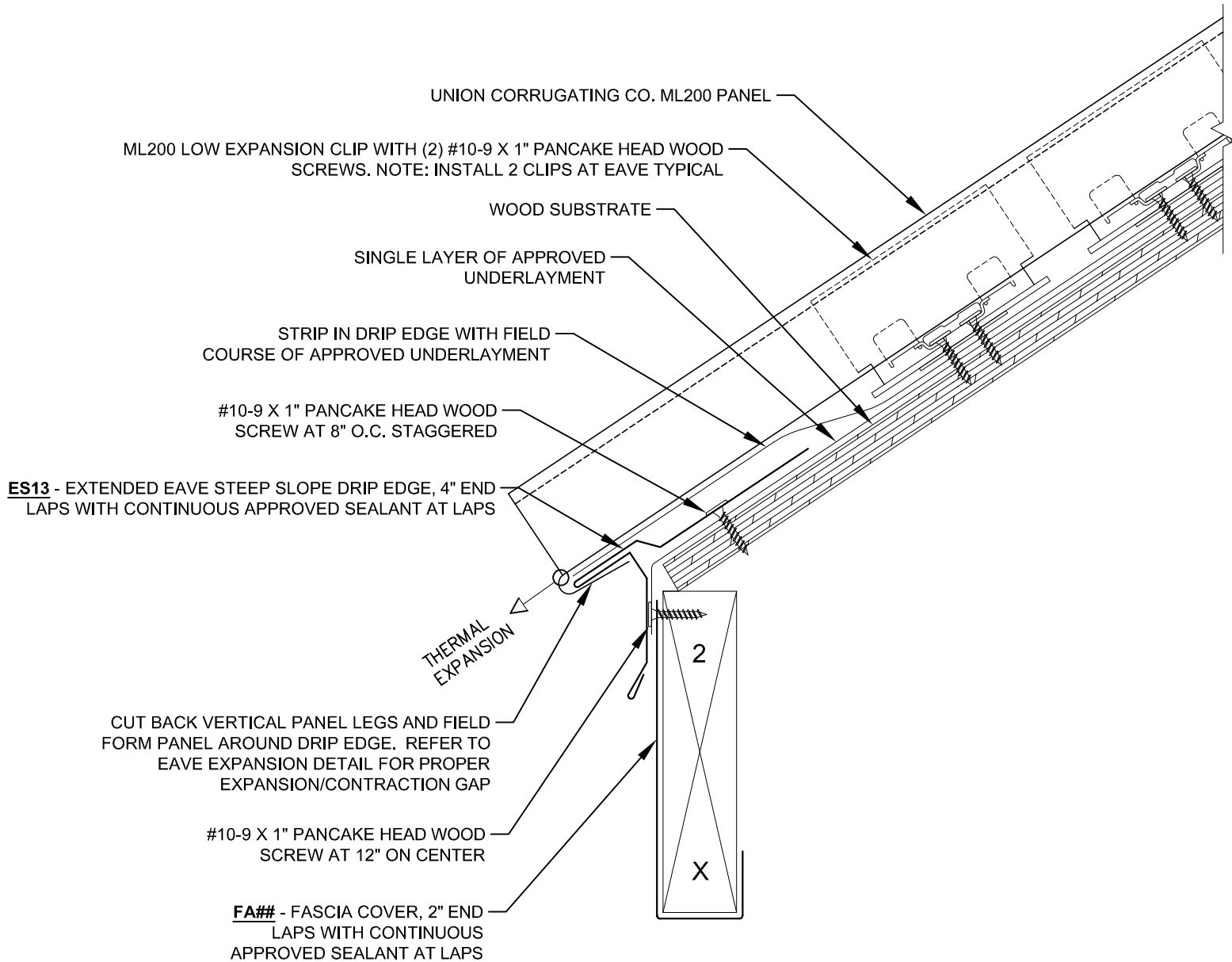


Description: **EXTENDED EAVE - STEEP SLOPE - FIXED CLIP**

Detail No.: **ML200-WS-1.10A_FX**

Substrate: **WOOD SUBSTRATE**

Project Name:
Location:



Description: **EXTENDED EAVE - STEEP SLOPE - EXPANSION CLIP**

Detail No.: **ML200-WS-1.10A_EX**

Substrate: **WOOD SUBSTRATE**

Project Name:
Location:

UNION CORRUGATING CO. ML200 PANEL

ML200 FIXED CLIP WITH (2) #10-9 X 1" PANCAKE HEAD WOOD SCREWS. NOTE: INSTALL 2 CLIPS AT EAVE TYPICAL

WOOD SUBSTRATE

SINGLE LAYER OF APPROVED UNDERLAYMENT

STRIP IN DRIP EDGE WITH FIELD COURSE OF APPROVED UNDERLAYMENT

#10-9 X 1" PANCAKE HEAD WOOD SCREW AT 8" O.C. STAGGERED

EE02 - EXTENDED EAVE DRIP EDGE, 4" END LAPS WITH CONTINUOUS APPROVED SEALANT AT LAPS

CUT BACK VERTICAL PANEL LEGS AND FIELD FORM PANEL AROUND DRIP EDGE. REFER TO EAVE EXPANSION DETAIL FOR PROPER EXPANSION/CONTRACTION GAP

THERMAL EXPANSION

18 GA. GALVANIZED STEEL HIDDEN HANGER AT 24" ON CENTER

GT07 - 7" GUTTER, LAP AND SEAL CONTINUOUS WITH 2 ROWS OF APPROVED SEALANT. RIVET AT LAPS 2" ON CENTER.

FA## - FASCIA COVER, 2" END LAPS WITH CONTINUOUS APPROVED SEALANT AT LAPS

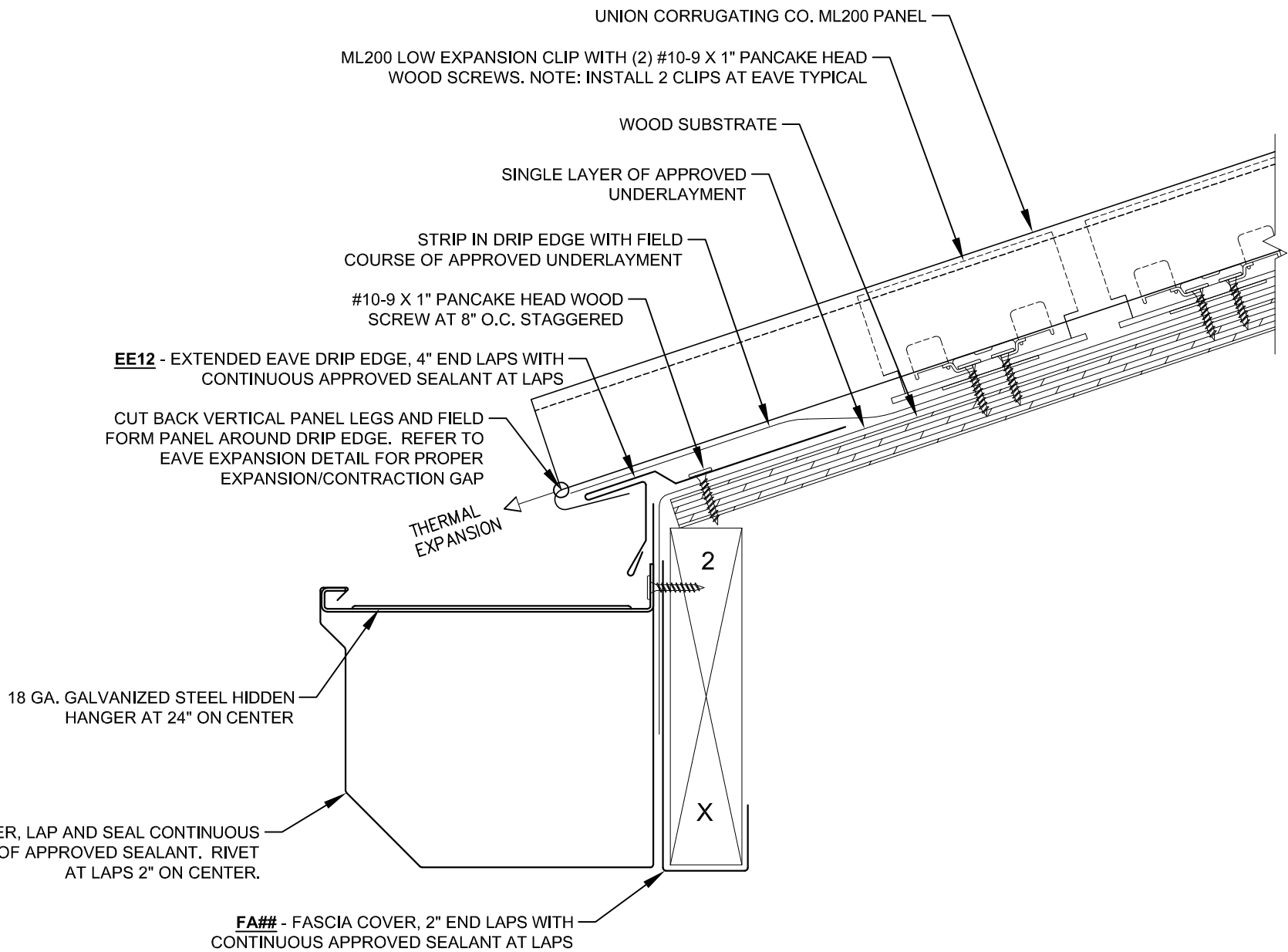


Description: **EXTENDED EAVE WITH GUTTER - FIXED CLIP**

Detail No.: **ML200-WS-1.20_FX**

Substrate: **WOOD SUBSTRATE**

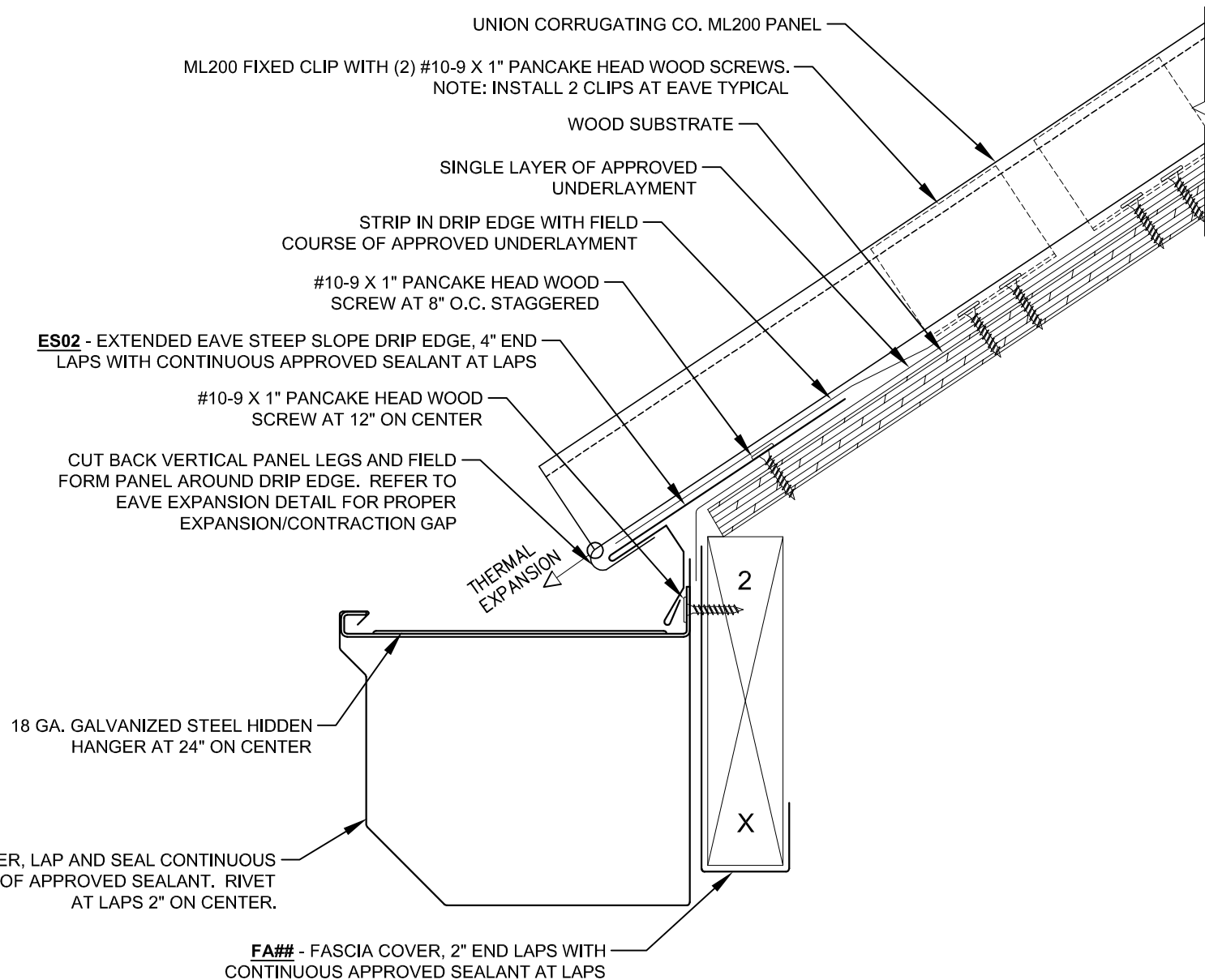
Project Name:
Location:



Description: **EXTENDED EAVE WITH GUTTER - EXPANSION CLIP**
 Substrate: **WOOD SUBSTRATE**

Detail No.: **ML200-WS-1.20_EX**

Project Name:
 Location:

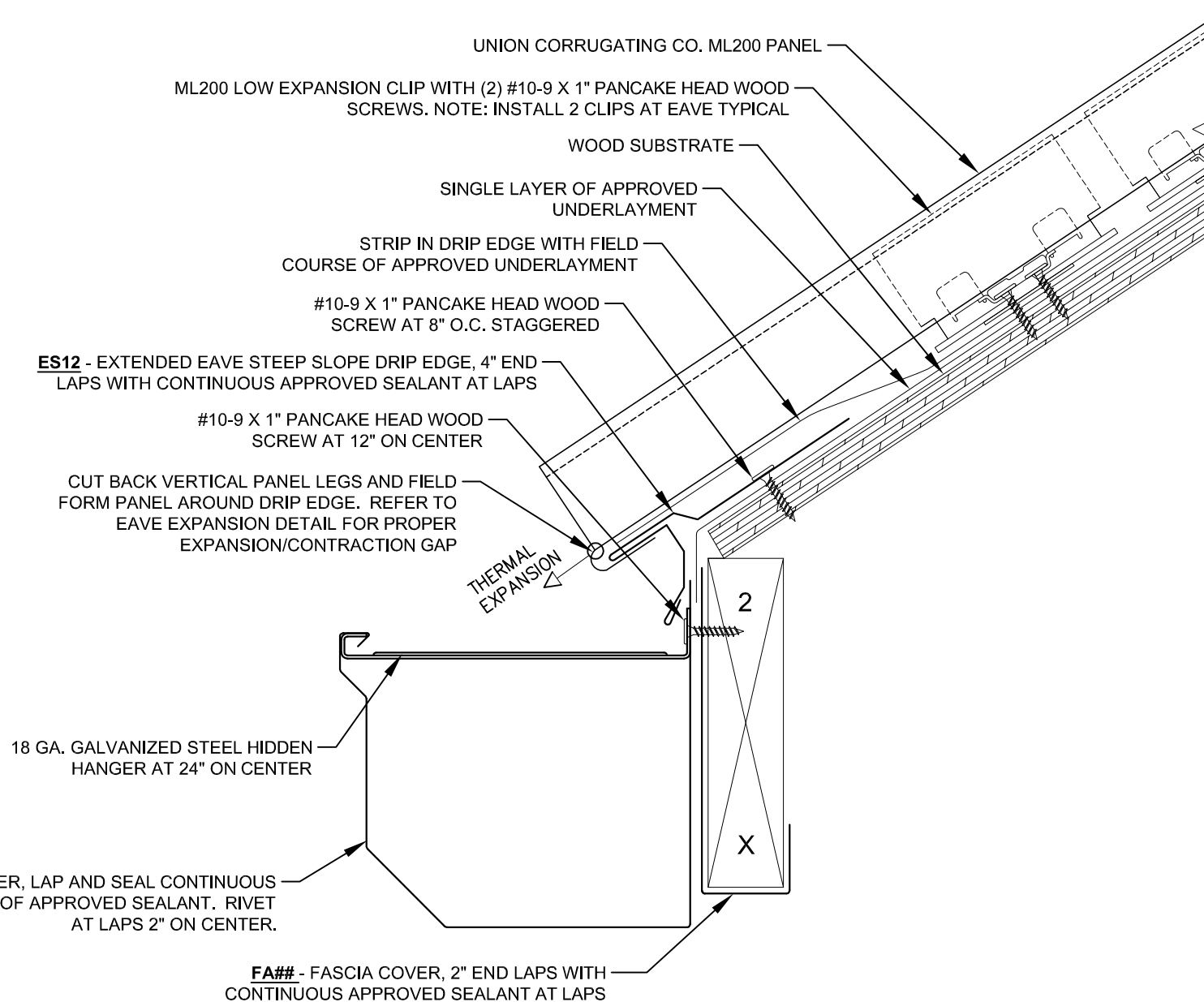


Description: **EXT. EAVE W/ GUTTER- STEEP SLOPE - FIXED CLIP**

Substrate: **WOOD SUBSTRATE**

Detail No.: **ML200-WS-1.20A_FX**

Project Name:
Location:



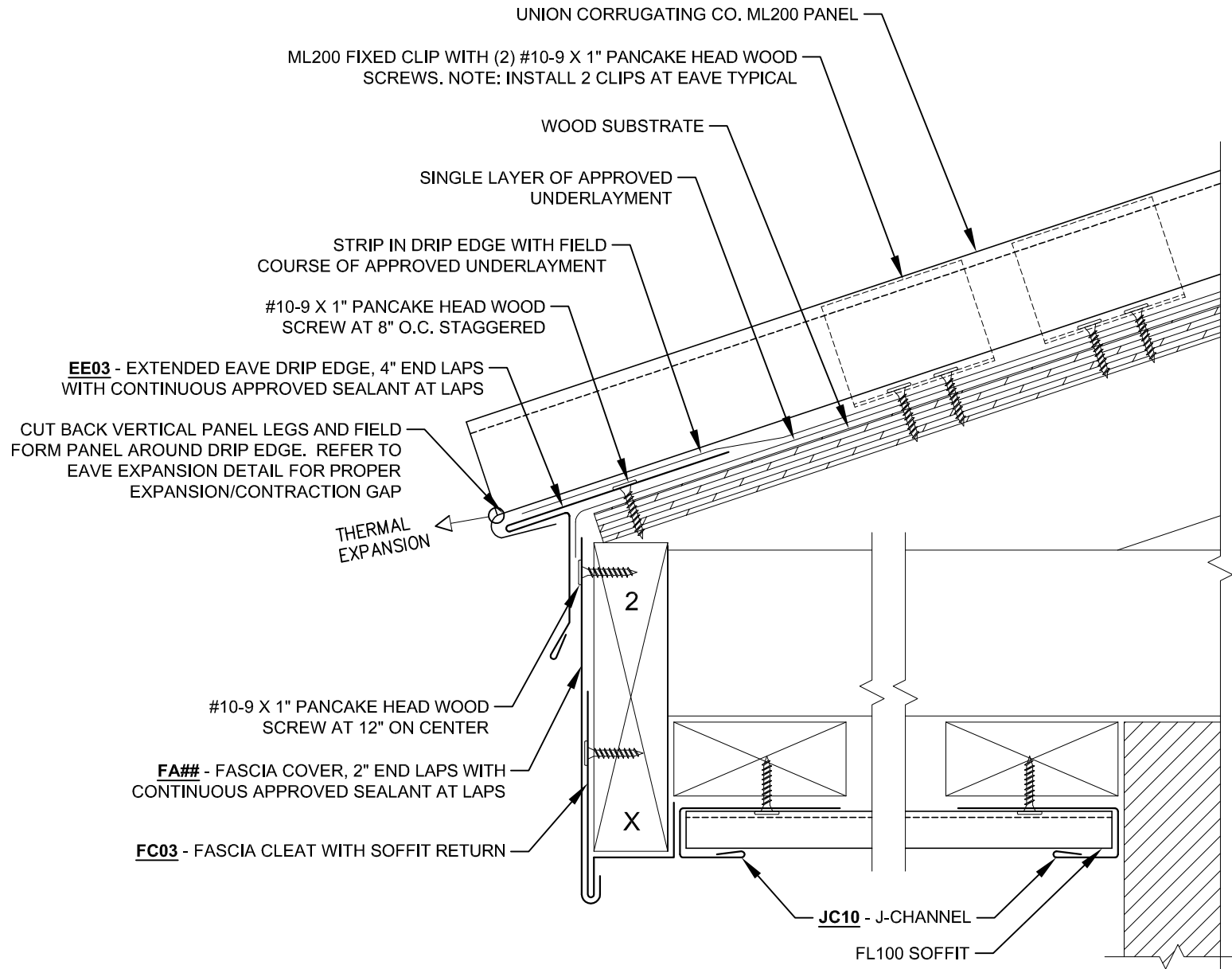
Description: **EXT. EAVE W/ GUTTER- STEEP SLOPE - EXPANSION CLIP**

Substrate: **WOOD SUBSTRATE**

Detail No.: **ML200-WS-1.20A_EX**

Project Name:

Location:



Description:

EXTENDED EAVE WITH SOFFIT - FIXED CLIP

Detail No.:

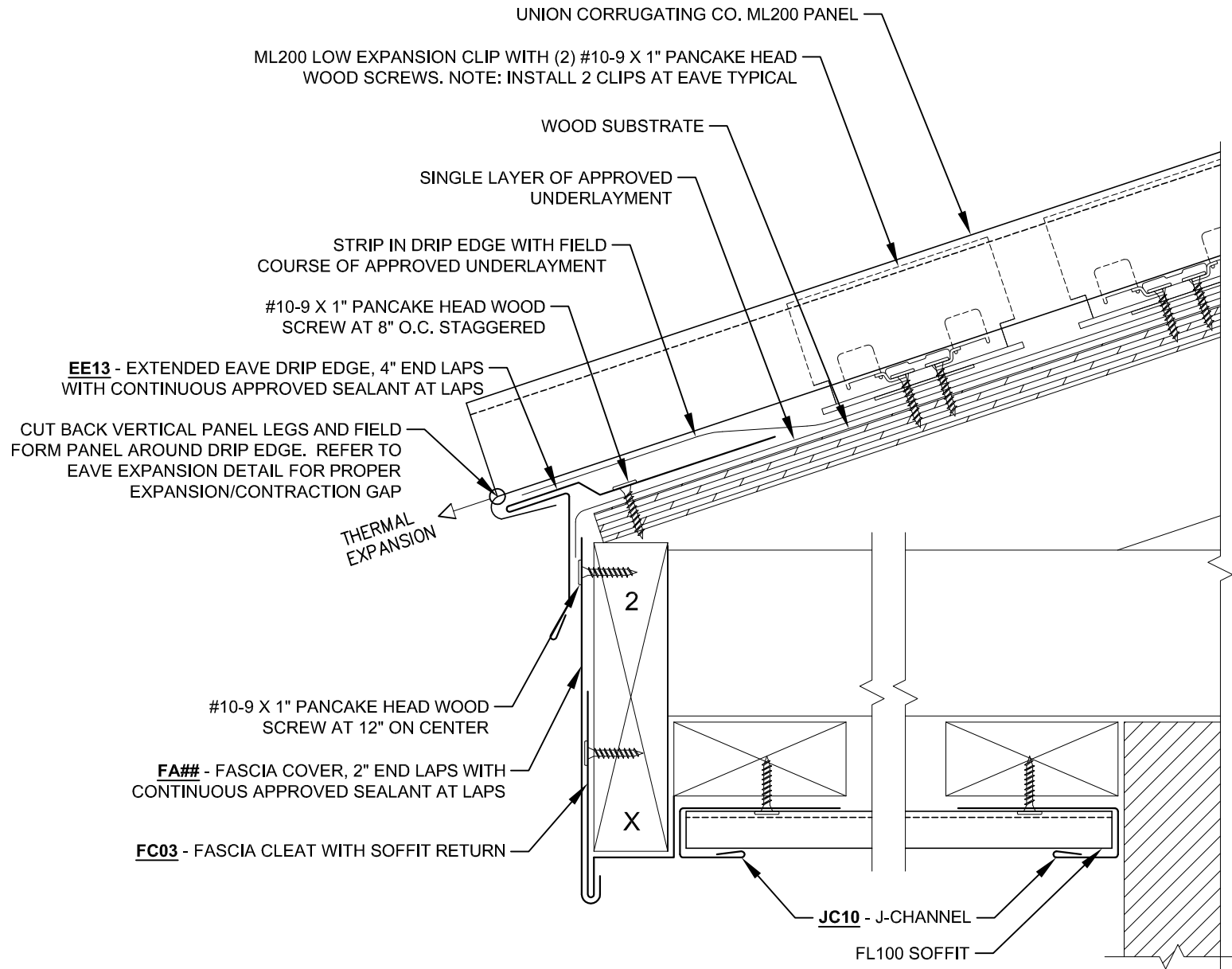
ML200-WS-1.30_FX

Substrate:

WOOD SUBSTRATE

Project Name:

Location:

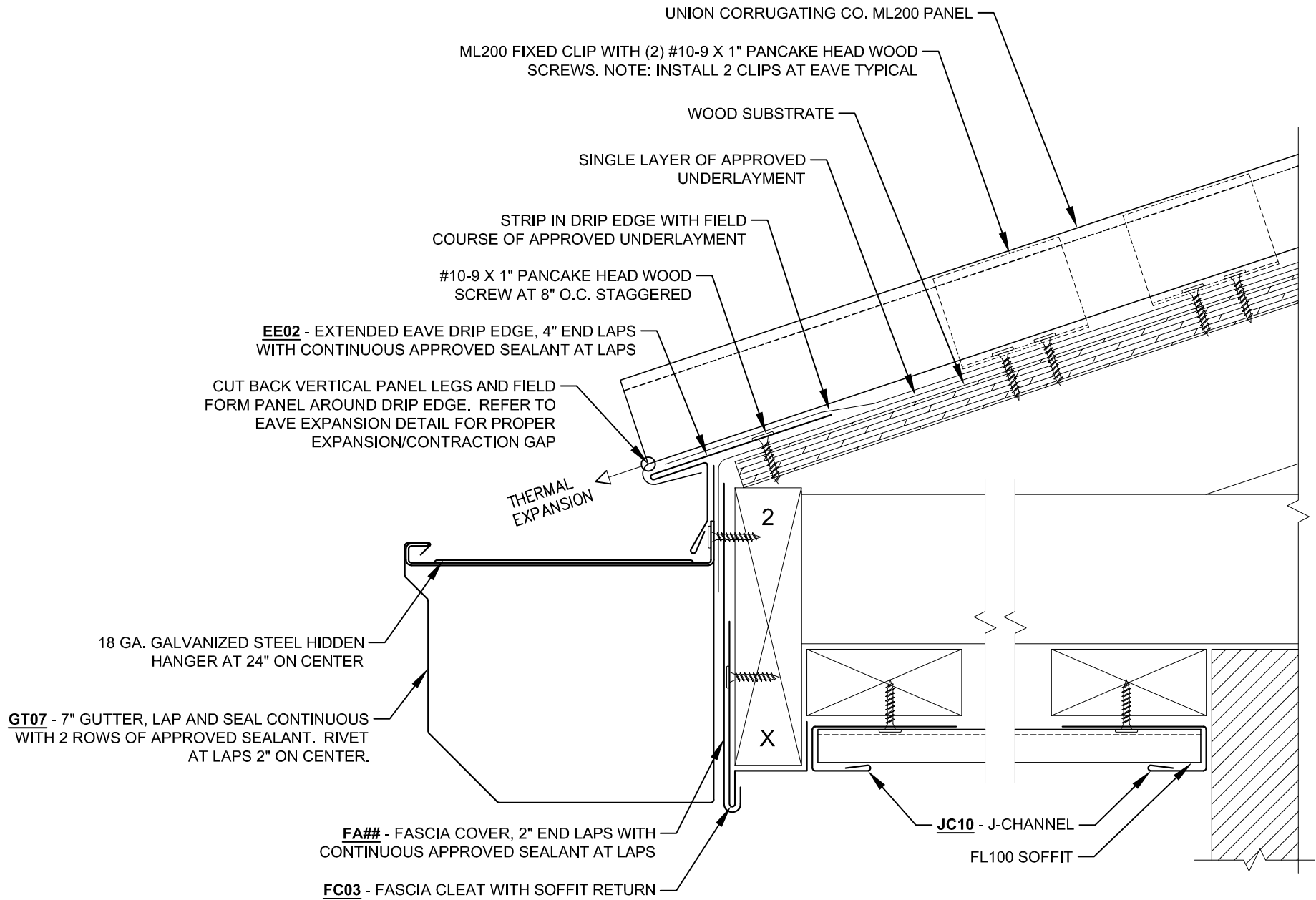


Description: **EXTENDED EAVE WITH SOFFIT - EXPANSION CLIP**

Detail No.: **ML200-WS-1.30_EX**

Substrate: **WOOD SUBSTRATE**

Project Name:
Location:



UNION CORRUGATING CO. ML200 PANEL

ML200 FIXED CLIP WITH (2) #10-9 X 1" PANCAKE HEAD WOOD SCREWS. NOTE: INSTALL 2 CLIPS AT EAVE TYPICAL

WOOD SUBSTRATE

SINGLE LAYER OF APPROVED UNDERLAYMENT

STRIP IN DRIP EDGE WITH FIELD COURSE OF APPROVED UNDERLAYMENT

#10-9 X 1" PANCAKE HEAD WOOD SCREW AT 8" O.C. STAGGERED

EE02 - EXTENDED EAVE DRIP EDGE, 4" END LAPS WITH CONTINUOUS APPROVED SEALANT AT LAPS

CUT BACK VERTICAL PANEL LEGS AND FIELD FORM PANEL AROUND DRIP EDGE. REFER TO EAVE EXPANSION DETAIL FOR PROPER EXPANSION/CONTRACTION GAP

THERMAL EXPANSION

18 GA. GALVANIZED STEEL HIDDEN HANGER AT 24" ON CENTER

GT07 - 7" GUTTER, LAP AND SEAL CONTINUOUS WITH 2 ROWS OF APPROVED SEALANT. RIVET AT LAPS 2" ON CENTER.

FA## - FASCIA COVER, 2" END LAPS WITH CONTINUOUS APPROVED SEALANT AT LAPS

FC03 - FASCIA CLEAT WITH SOFFIT RETURN

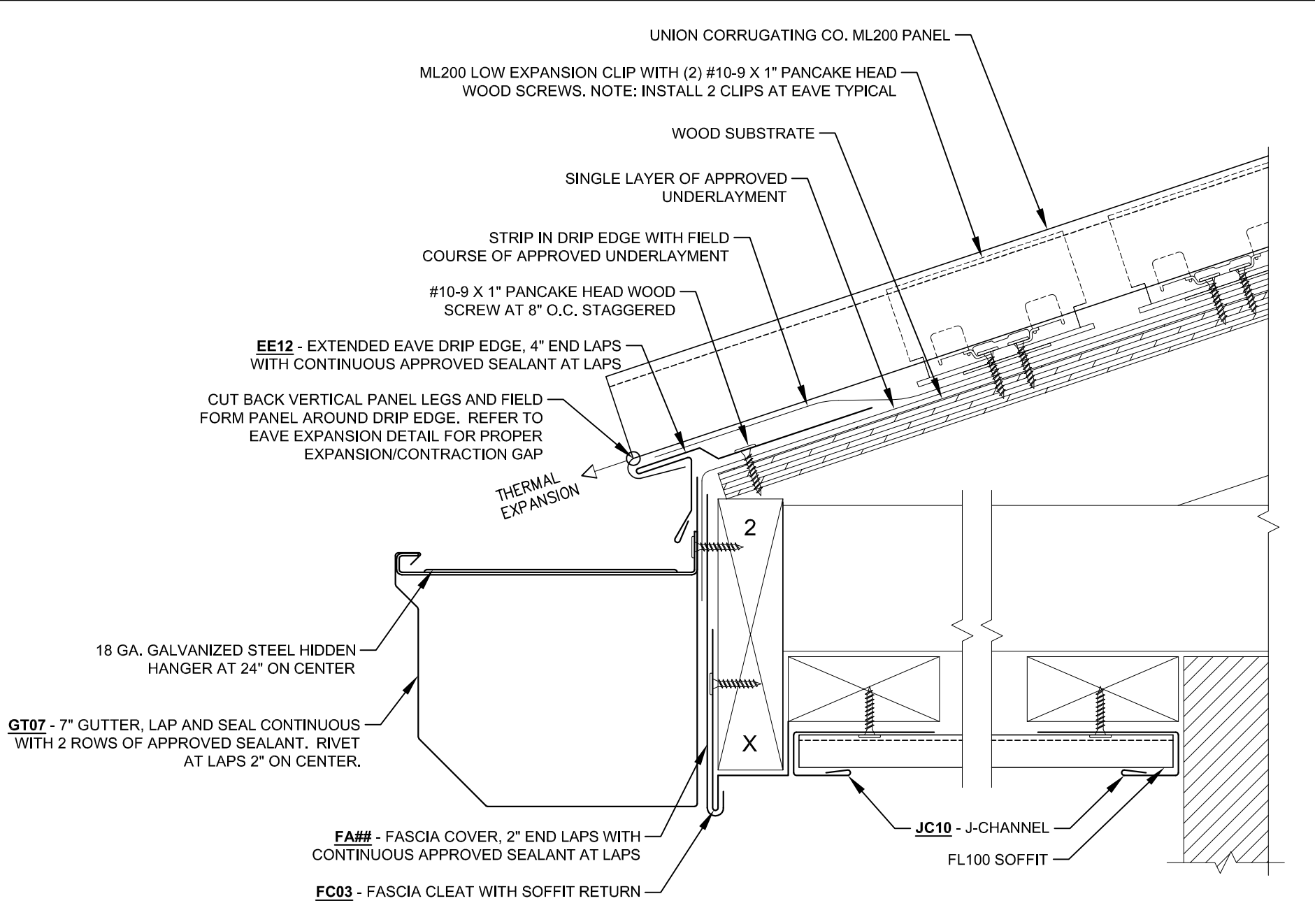
JC10 - J-CHANNEL

FL100 SOFFIT



Description:	EXT. EAVE W/ SOFFIT & GUTTER - FIXED CLIP		Detail No.: ML200-WS-1.40_FX
	Substrate:	WOOD SUBSTRATE	

Details and instructions subject to change without notice. Contact Union Corrugating Company for specific project details.

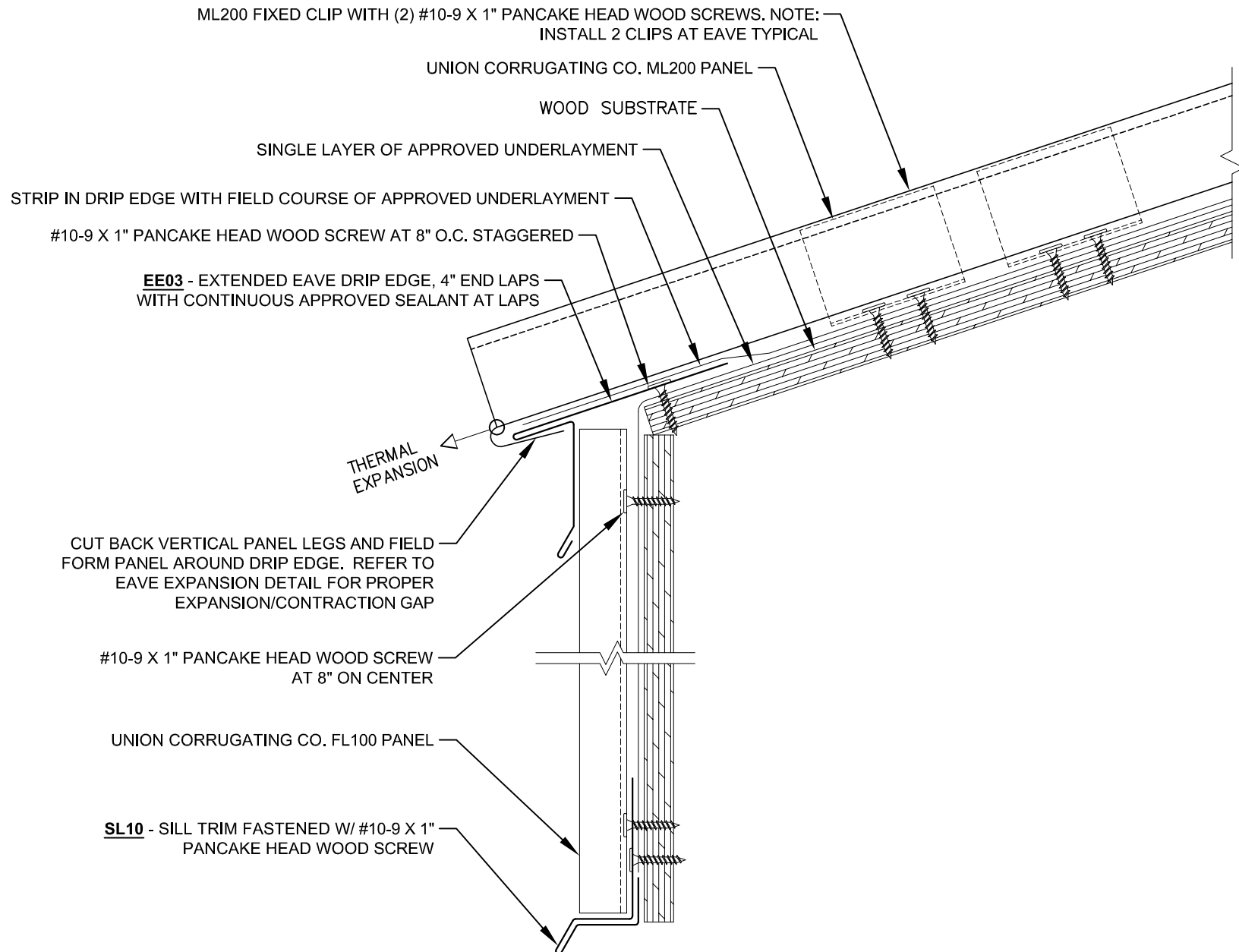


Description: **EXT. EAVE W/ SOFFIT & GUTTER - EXPANSION CLIP**

Substrate: **WOOD SUBSTRATE**

Detail No.: **ML200-WS-1.40_EX**

Project Name:
Location:

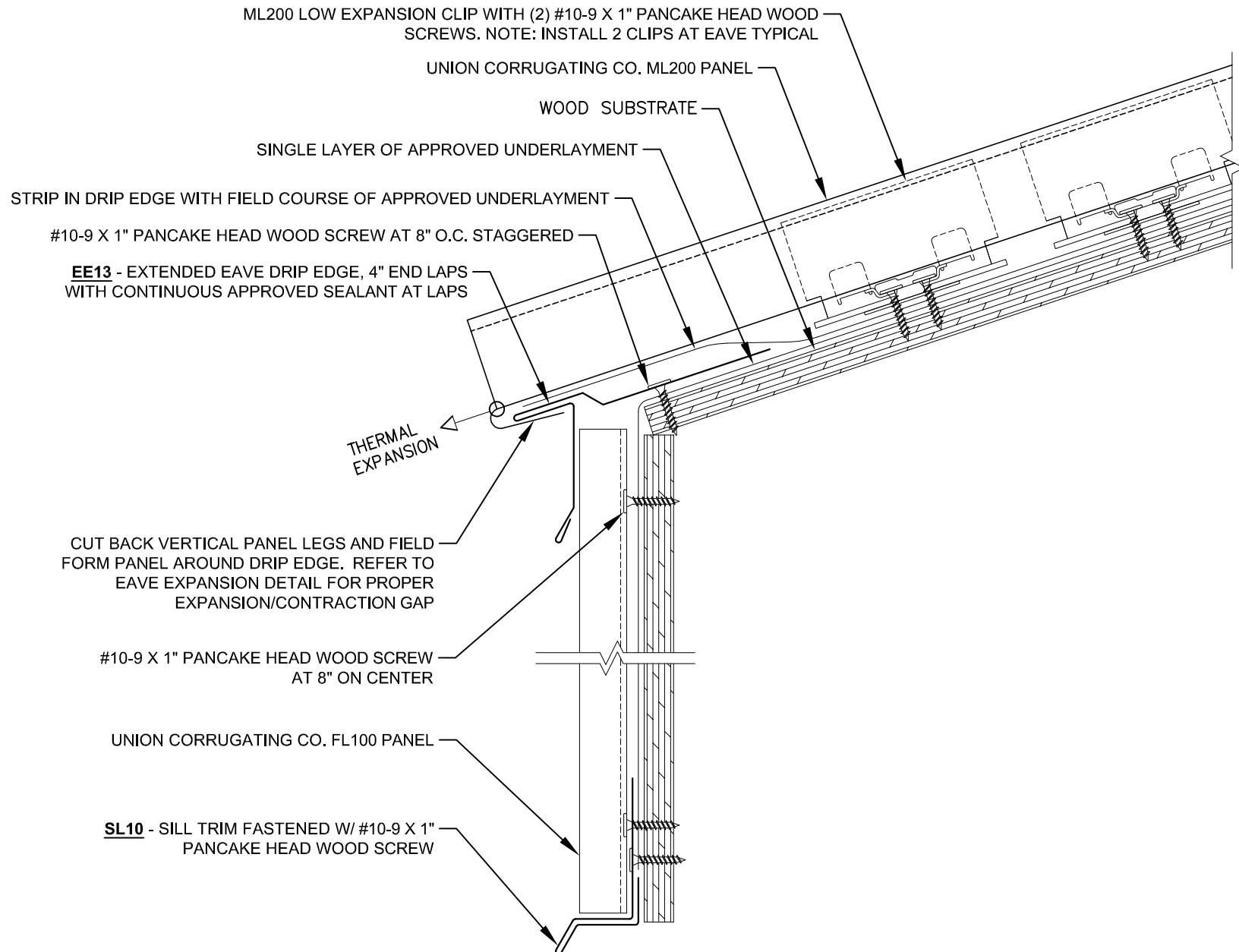


Description: **EXT. EAVE W/ FLUSH WALL PANEL - FIXED CLIP**

Detail No.: **ML200-WS-1.50_FX**

Substrate: **WOOD SUBSTRATE**

Project Name:
Location:

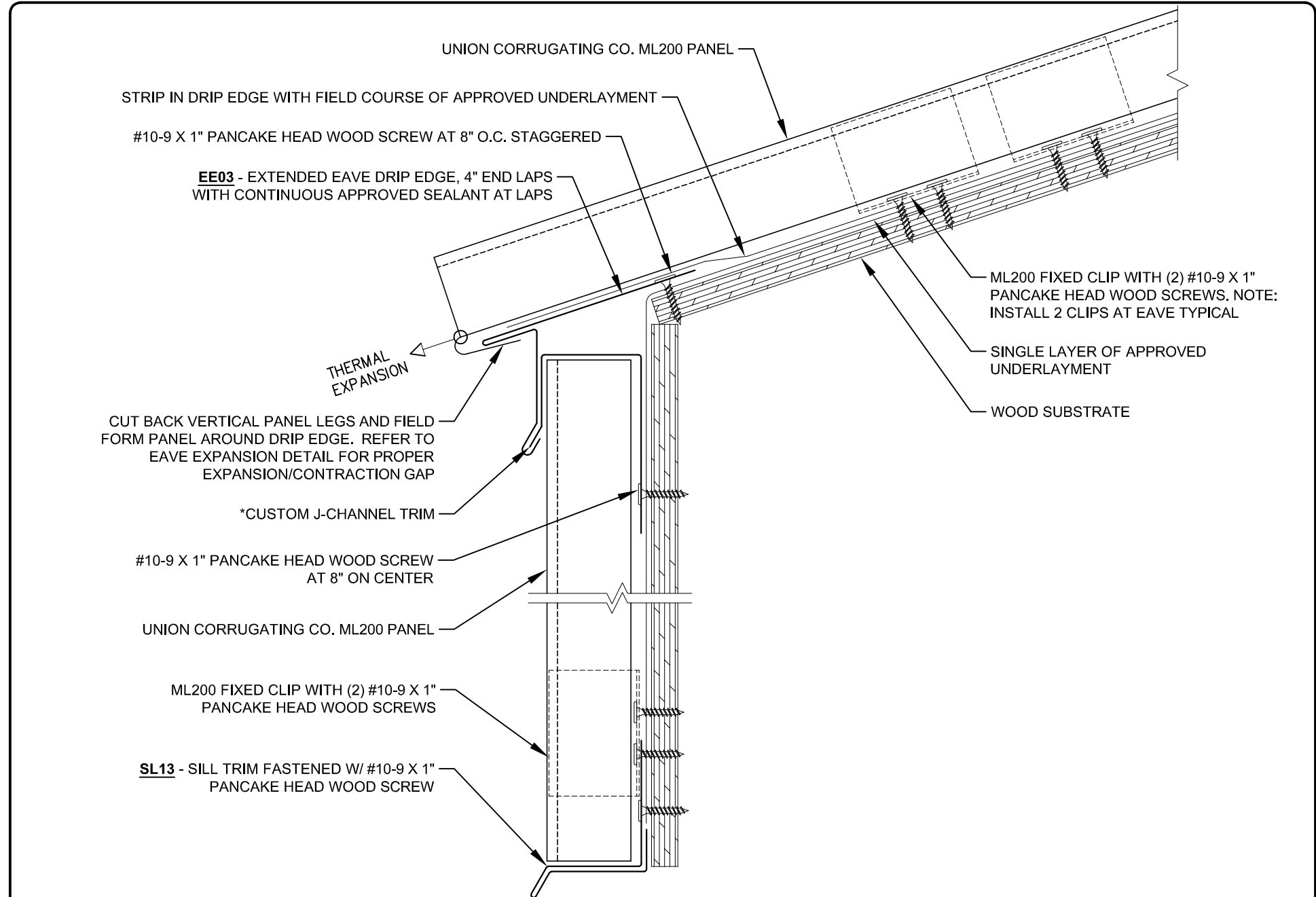


Description: **EXT. EAVE W/ FLUSH WALL PANEL - EXPANSION CLIP**

Detail No.: **ML200-WS-1.50_EX**

Substrate: **WOOD SUBSTRATE**

Project Name:
Location:

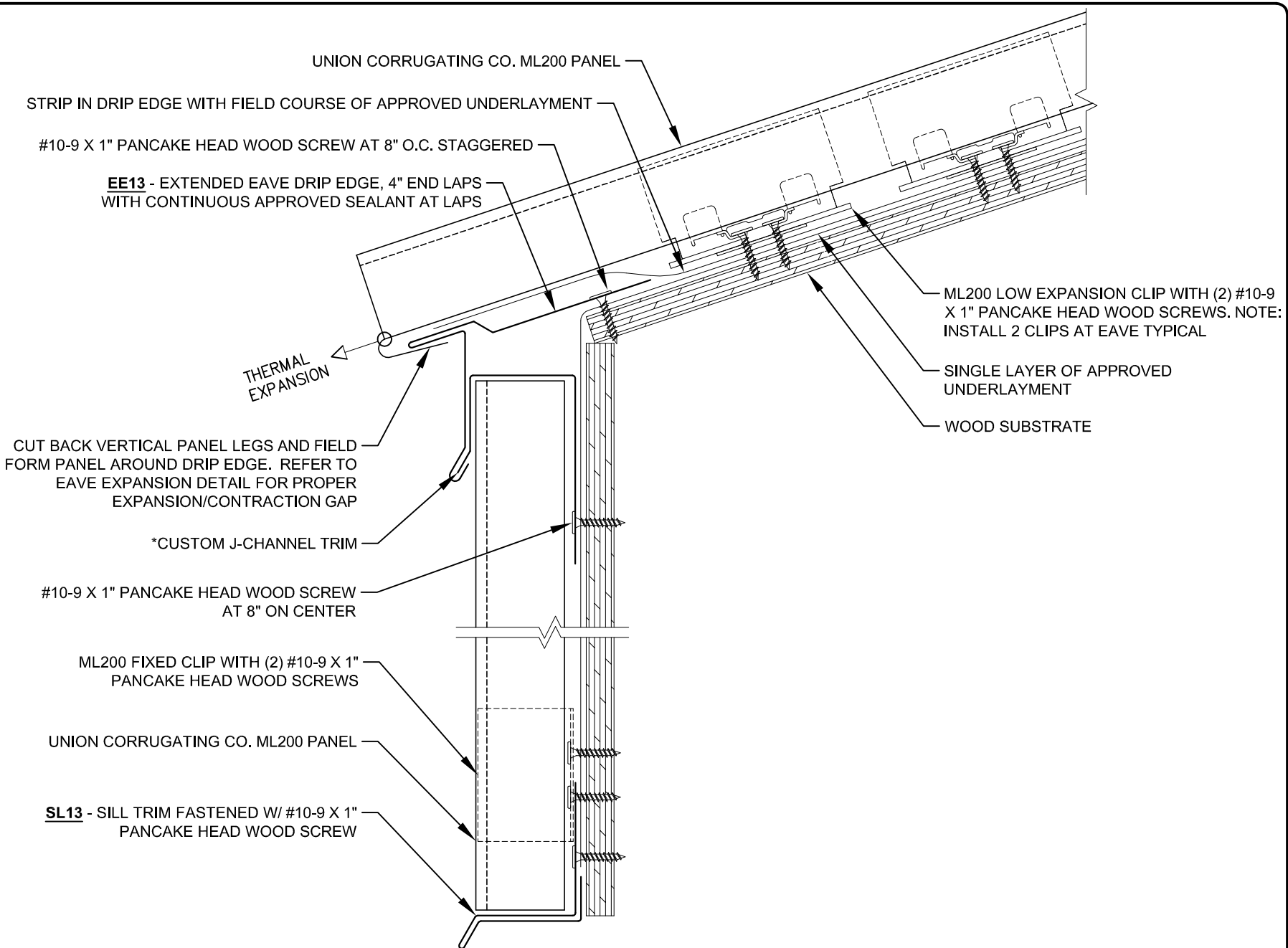


Description: **EXT. EAVE W/ STANDING SEAM WALL PANELS - FIXED CLIP**

Detail No.: **ML200-WS-1.60_FX**

Substrate: **WOOD SUBSTRATE**

Project Name:
Location:



UNION CORRUGATING CO. ML200 PANEL

STRIP IN DRIP EDGE WITH FIELD COURSE OF APPROVED UNDERLAYMENT

#10-9 X 1" PANCAKE HEAD WOOD SCREW AT 8" O.C. STAGGERED

EE13 - EXTENDED EAVE DRIP EDGE, 4" END LAPS WITH CONTINUOUS APPROVED SEALANT AT LAPS

THERMAL EXPANSION

ML200 LOW EXPANSION CLIP WITH (2) #10-9 X 1" PANCAKE HEAD WOOD SCREWS. NOTE: INSTALL 2 CLIPS AT EAVE TYPICAL

SINGLE LAYER OF APPROVED UNDERLAYMENT

WOOD SUBSTRATE

CUT BACK VERTICAL PANEL LEGS AND FIELD FORM PANEL AROUND DRIP EDGE. REFER TO EAVE EXPANSION DETAIL FOR PROPER EXPANSION/CONTRACTION GAP

*CUSTOM J-CHANNEL TRIM

#10-9 X 1" PANCAKE HEAD WOOD SCREW AT 8" ON CENTER

ML200 FIXED CLIP WITH (2) #10-9 X 1" PANCAKE HEAD WOOD SCREWS

UNION CORRUGATING CO. ML200 PANEL

SL13 - SILL TRIM FASTENED W/ #10-9 X 1" PANCAKE HEAD WOOD SCREW

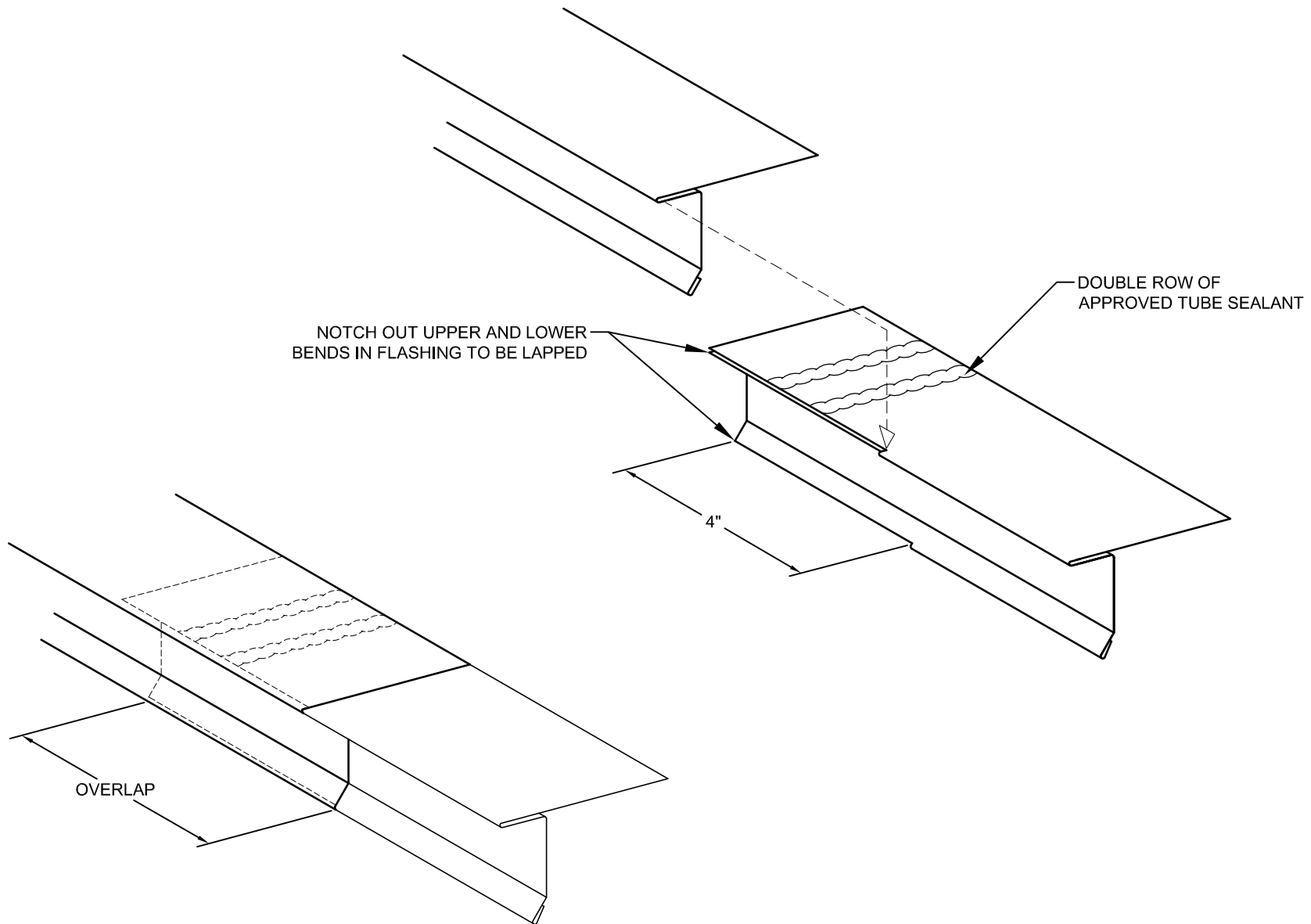


Description: **EXT. EAVE W/ STANDING SEAM WALL PANEL - EXPANSION CLIP**

Detail No.: **ML200-WS-1.60_EX**

Substrate: **WOOD SUBSTRATE**

Project Name:
Location:



Description:

DRIP EDGE LAP DETAIL

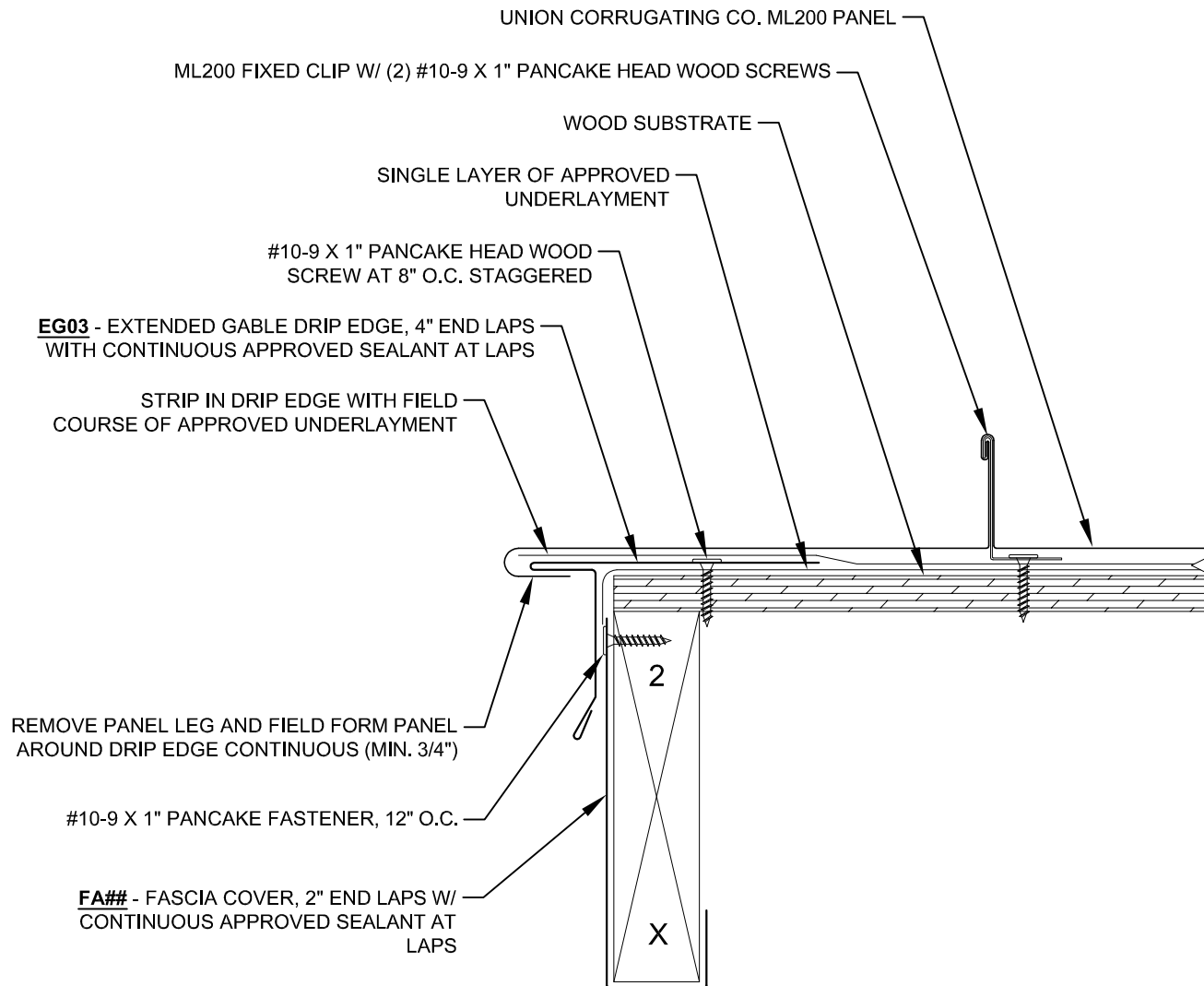
Detail No.:

ML200-1.90

Substrate:

Project Name:

Location:

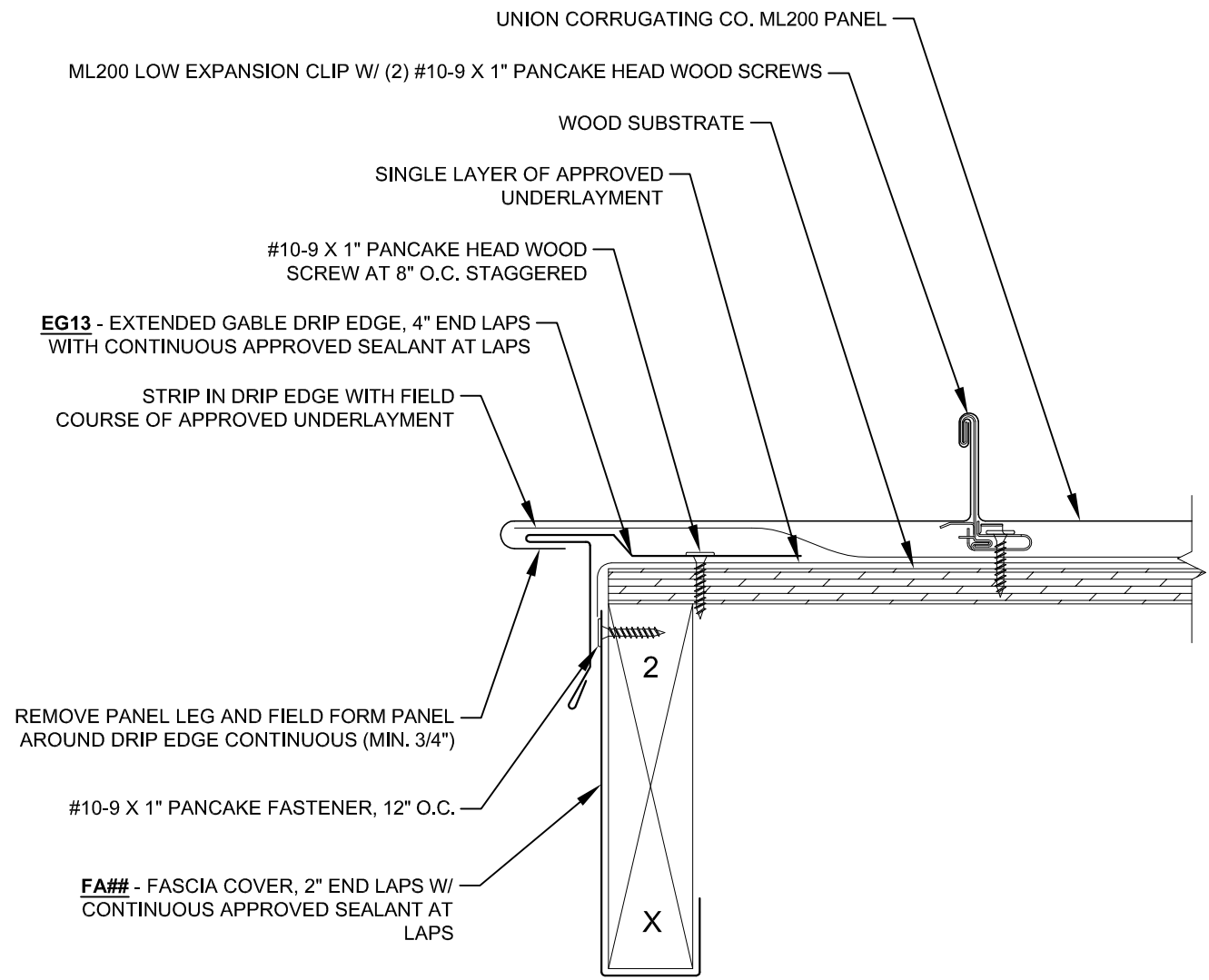


Description: **GABLE DETAIL - EXTENDED DRIP - FIXED CLIP**

Detail No.: **ML200-WS-2.10_FX**

Substrate: **WOOD SUBSTRATE**

Project Name:
Location:

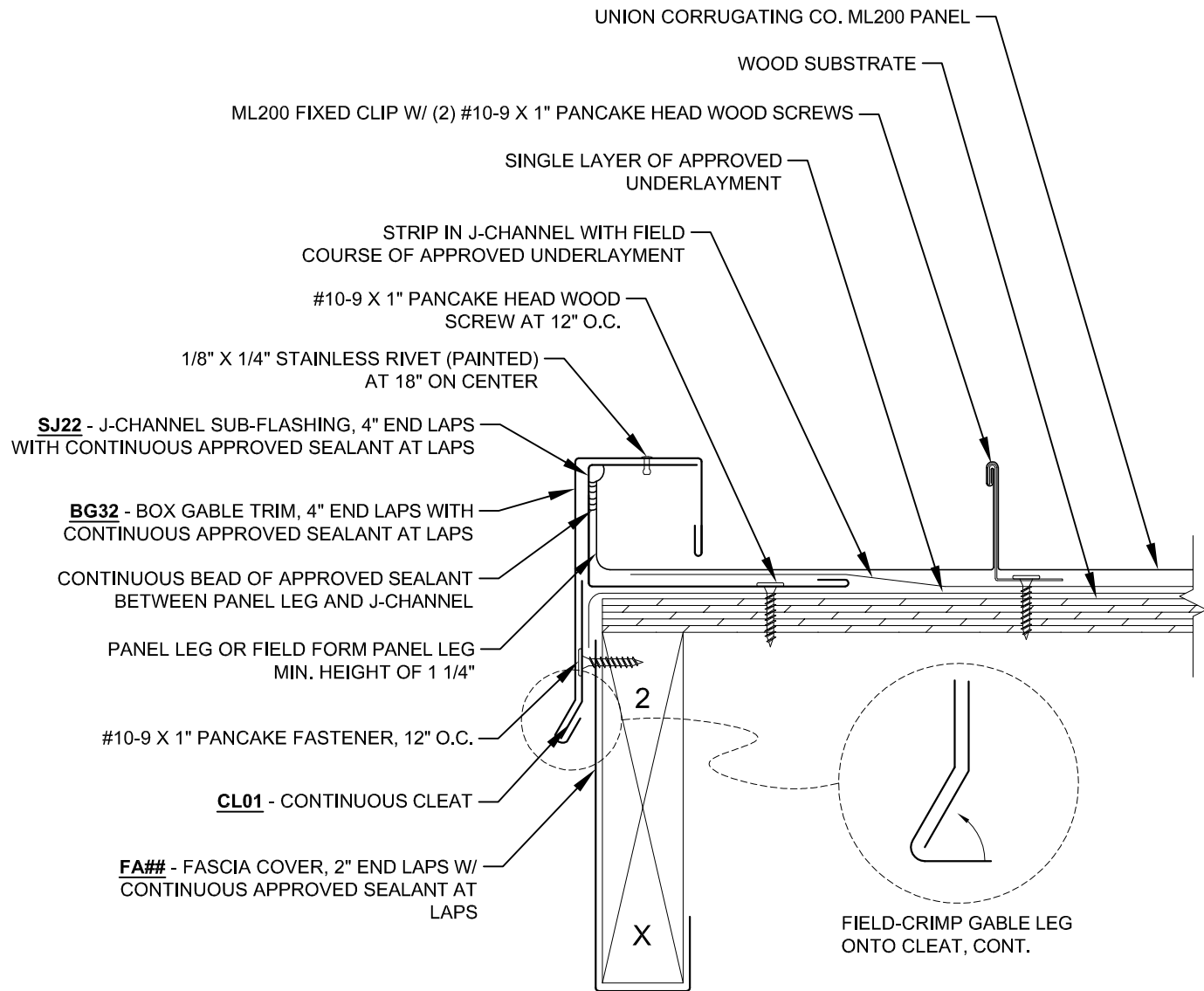


Description: **GABLE DETAIL - EXTENDED DRIP - EXPANSION CLIP**

Detail No.: **ML200-WS-2.10_EX**

Substrate: **WOOD SUBSTRATE**

Project Name:
Location:



Description:

GABLE DETAIL - BOX STYLE - FIXED CLIP

Detail No.:

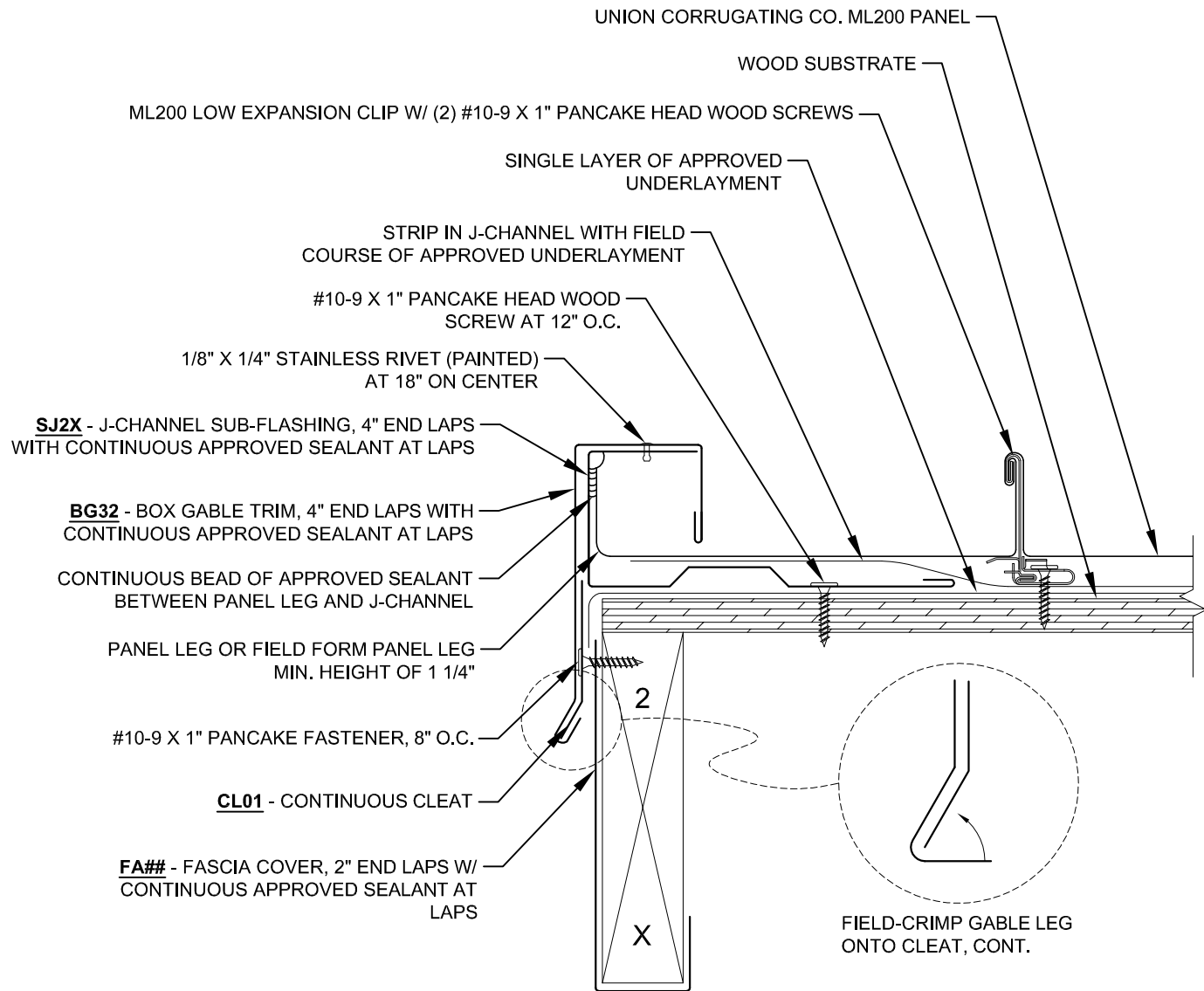
ML200-WS-2.20_FX

Substrate:

WOOD SUBSTRATE

Project Name:

Location:

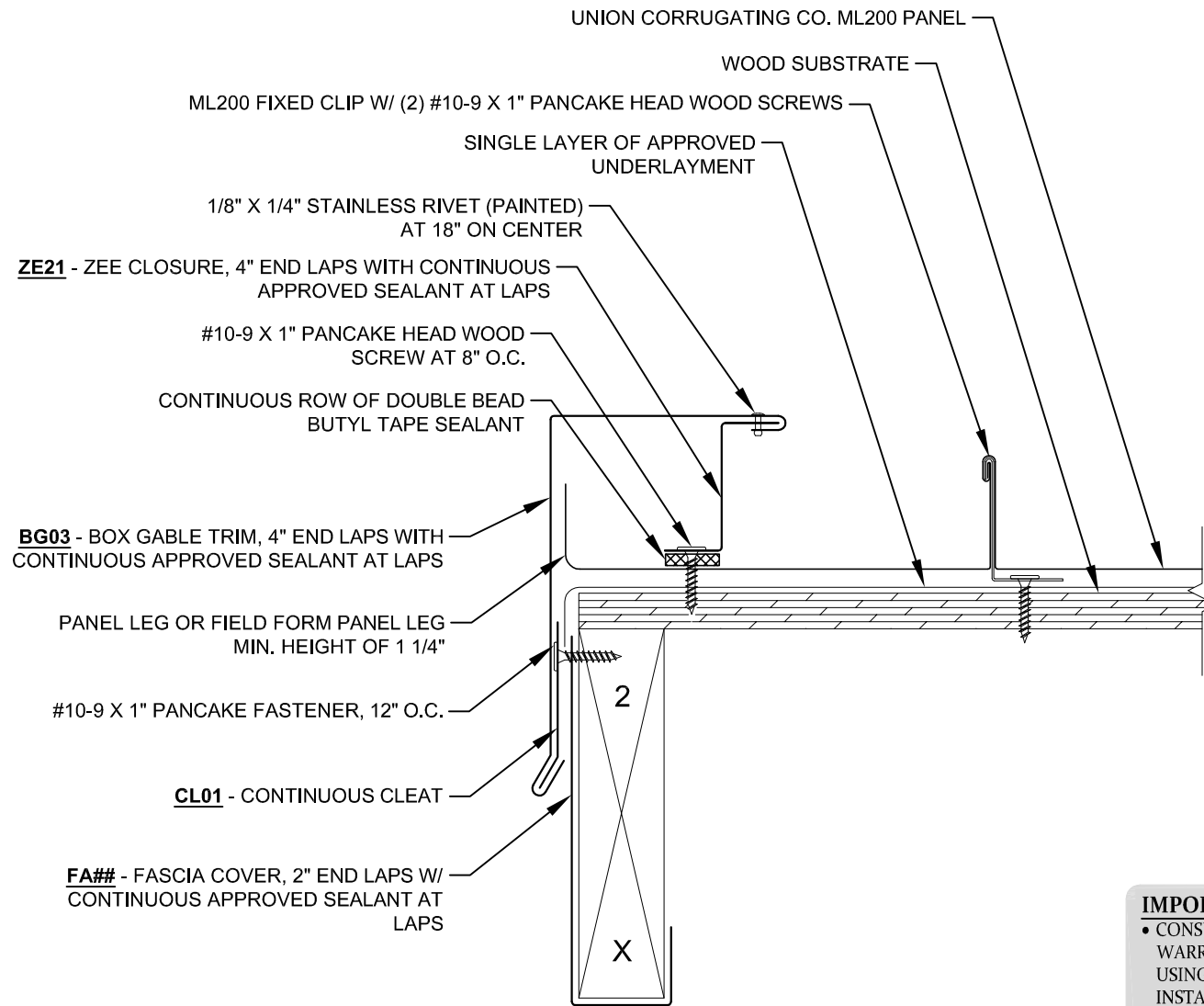


Description: **GABLE DETAIL - BOX STYLE - EXPANSION CLIP**

Detail No.: **ML200-WS-2.20_EX**

Substrate: **WOOD SUBSTRATE**

Project Name:
Location:



IMPORTANT INSTALLATION NOTE

- CONSULT UNION CORRUGATING CO. WARRANTY DEPARTMENT BEFORE USING THIS DETAIL WHEN INSTALLATION REQUIRES WEATHERTIGHTNESS WARRANTY.
- THIS DETAIL NOT TO BE USED WITH PANEL LENGTHS GREATER THAN 30'-0".

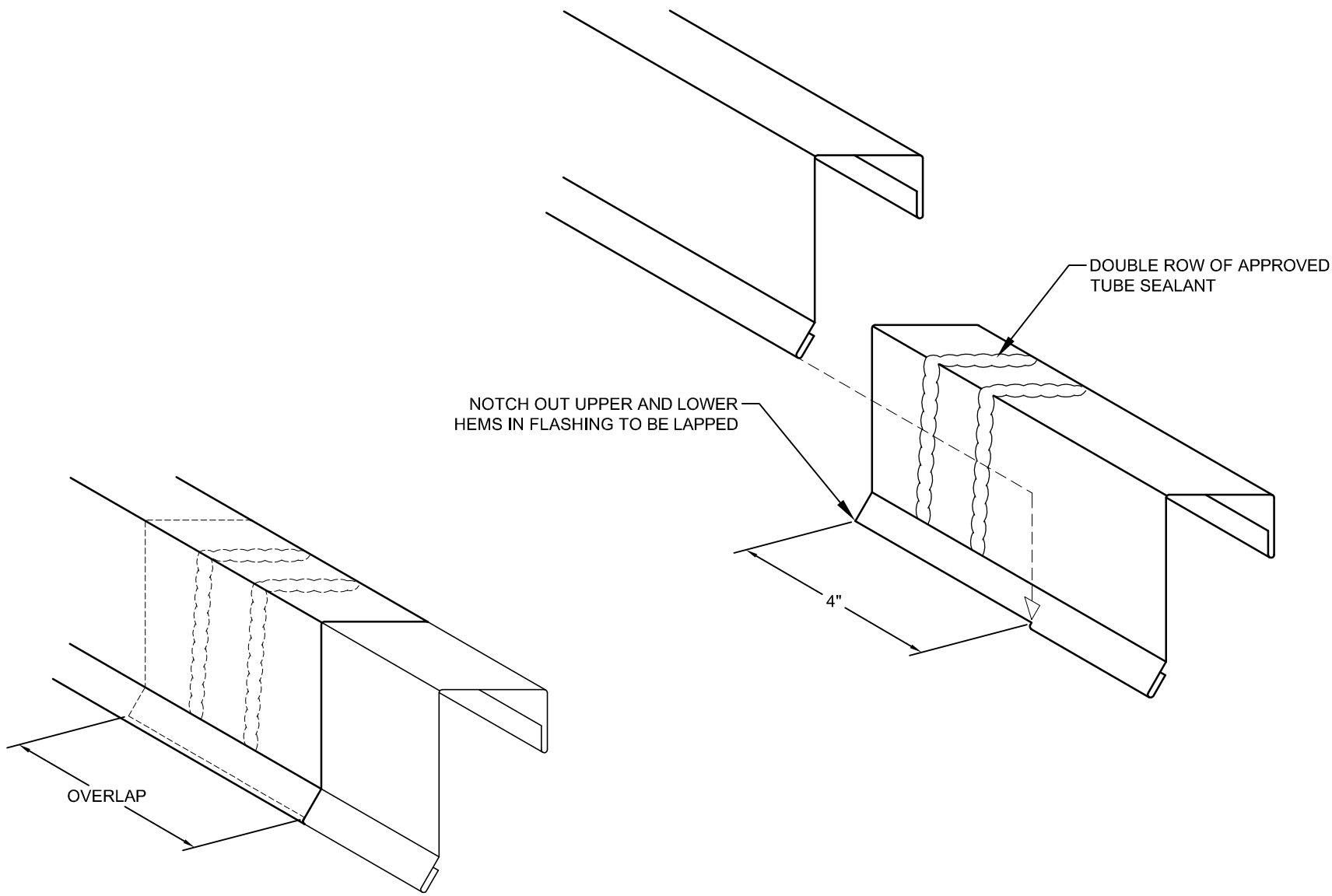


Description: **GABLE DETAIL - BOX STYLE W/ ZEE - FIXED CLIP**

Detail No.: **ML200-WS-2.30_FX**

Substrate: **WOOD SUBSTRATE**

Project Name:
Location:



Description:

BOX GABLE LAP DETAIL

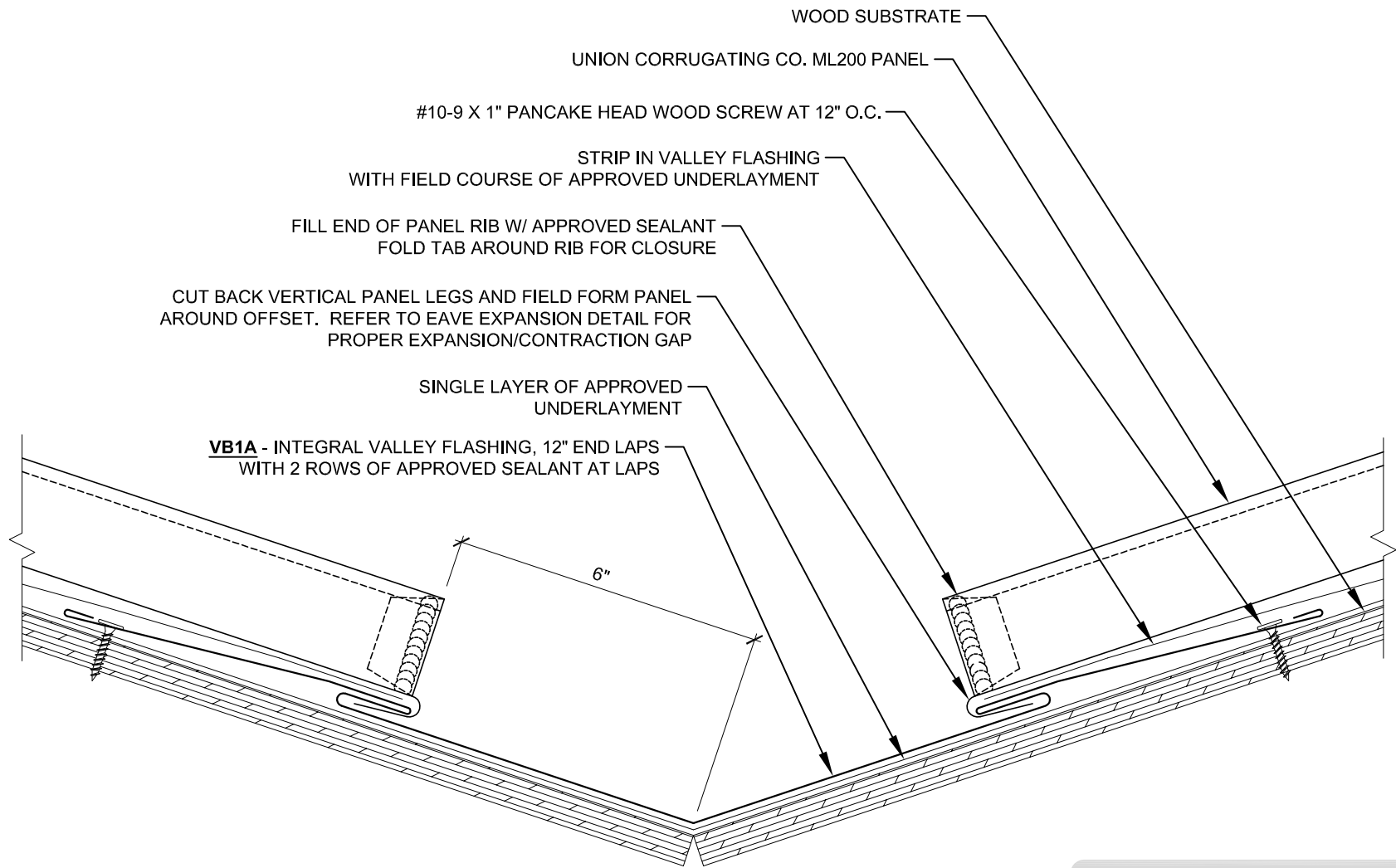
Detail No.:

ML200-2.90

Substrate:

Project Name:

Location:

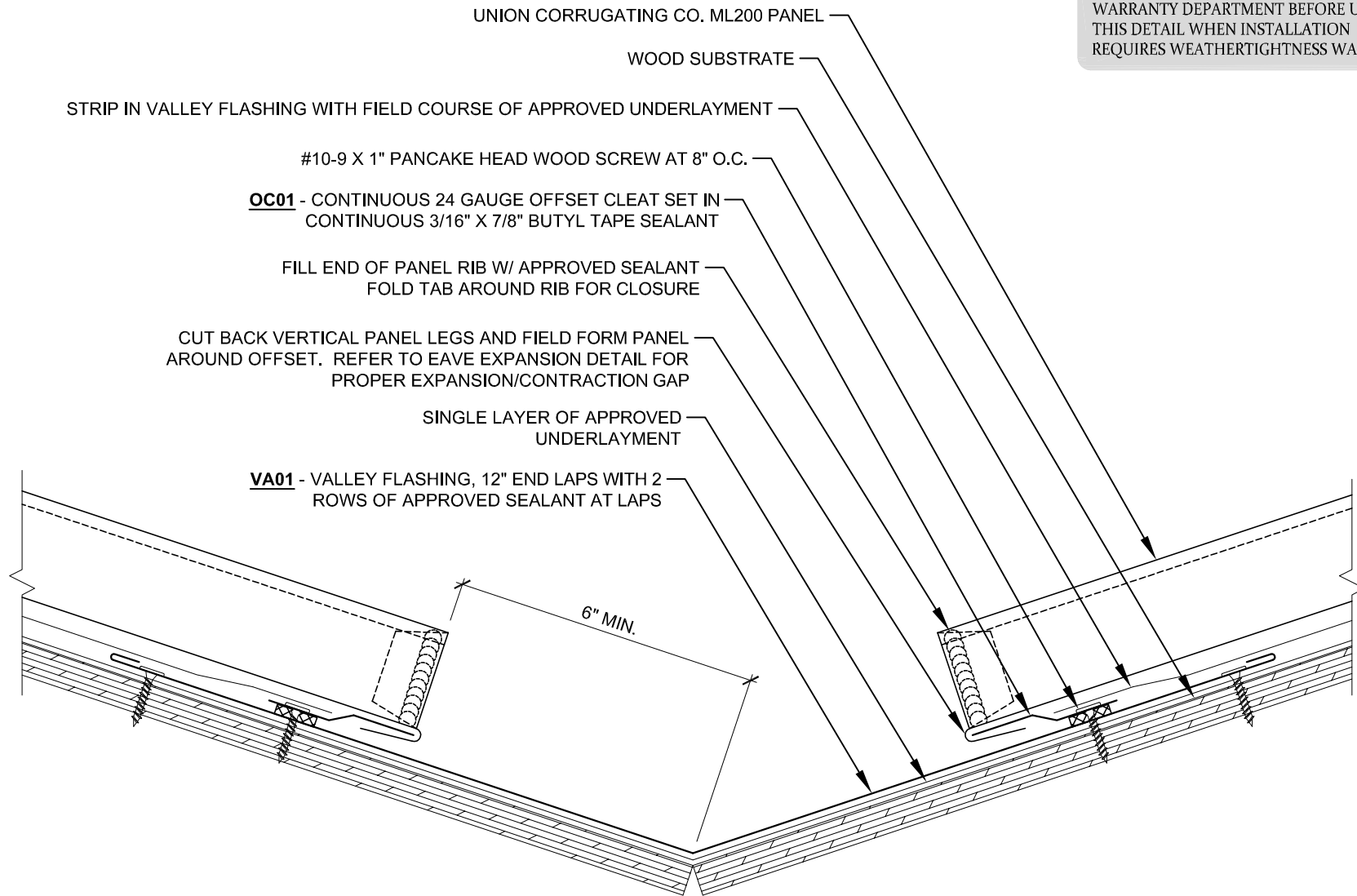


IMPORTANT INSTALLATION NOTE
 EACH VALLEY SECTION IS MADE PROGRESSIVELY SMALLER TO ALLOW UPPER SECTION TO INSERT INTO LOWER SECTION. NO FIELD NOTCHING AT LAP.



Description:	VALLEY DETAIL - INTEGRAL CLEAT		Detail No.: ML200-WS-3.10
	Substrate:	WOOD SUBSTRATE	

IMPORTANT INSTALLATION NOTE
 CONSULT UNION CORRUGATING CO.
 WARRANTY DEPARTMENT BEFORE USING
 THIS DETAIL WHEN INSTALLATION
 REQUIRES WEATHERTIGHTNESS WARRANTY.



Description:

VALLEY - WITH OFFSET CLEAT

Detail No.:

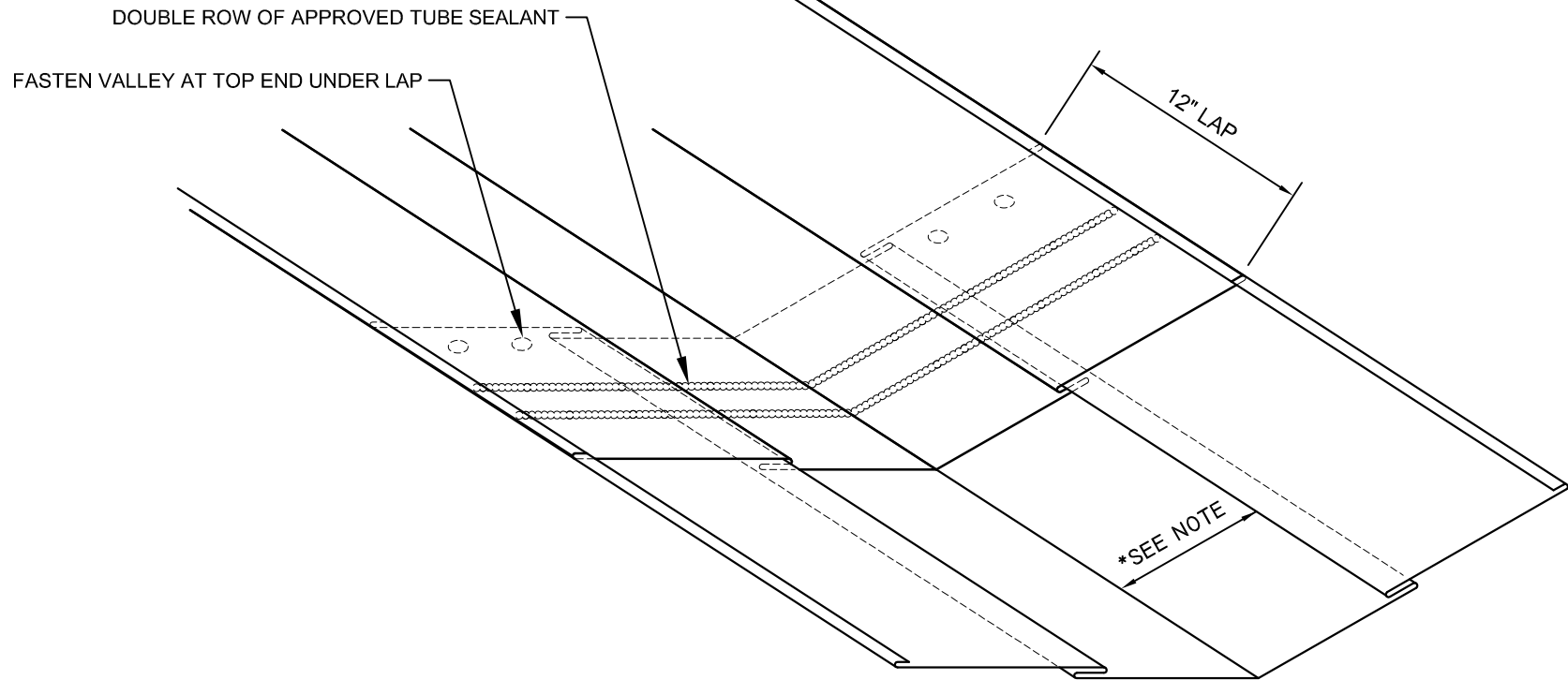
ML200-WS-3.20

Substrate:

WOOD SUBSTRATE

Project Name:

Location:



TELESCOPING VALLEY FLASHING LAP

IMPORTANT INSTALLATION NOTE

EACH VALLEY SECTION IS MADE PROGRESSIVELY SMALLER TO ALLOW UPPER SECTION TO INSERT INTO LOWER SECTION. NO FIELD NOTCHING AT LAP.



Description:

VALLEY LAP DETAIL

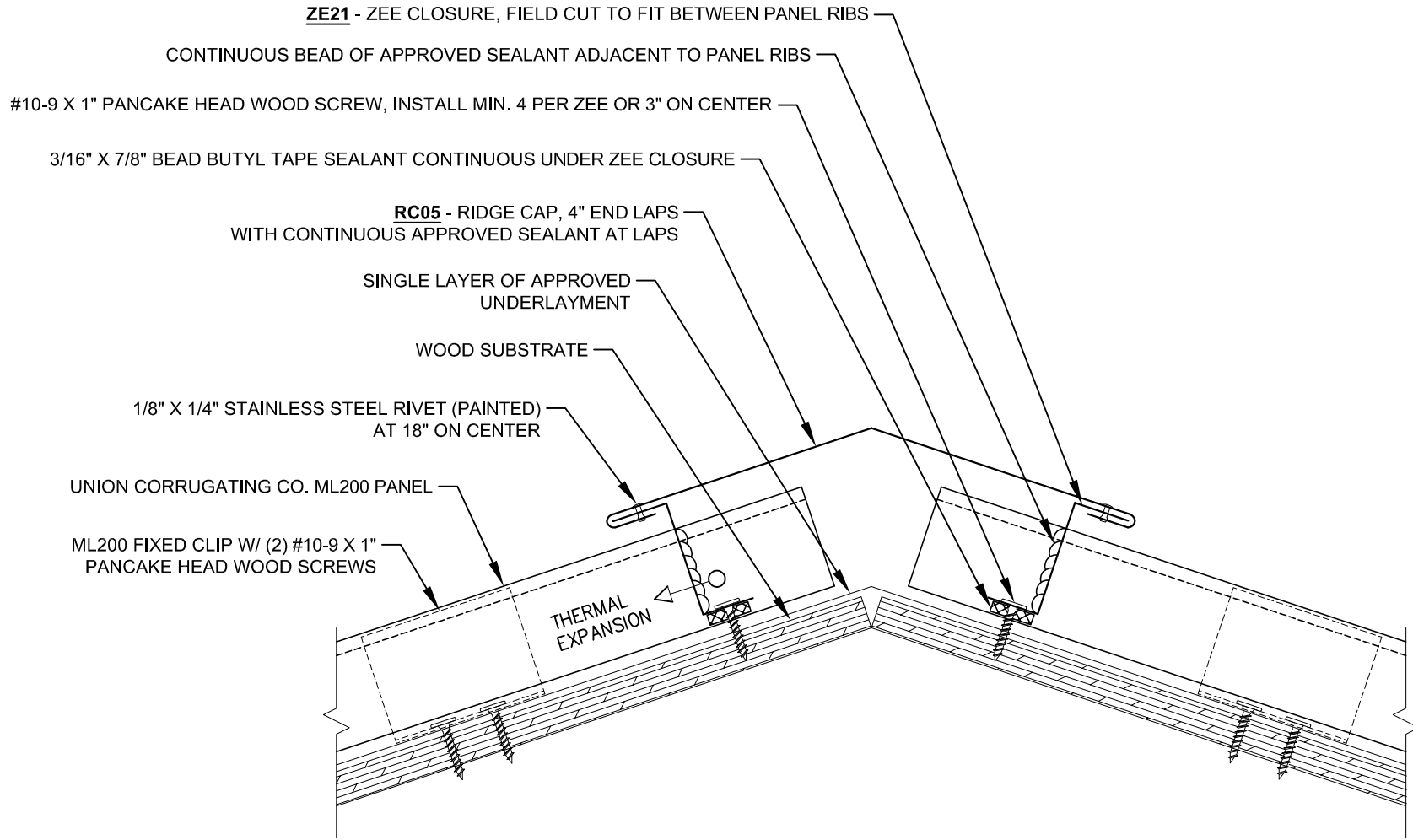
Detail No.:

ML200-3.90

Substrate:

Project Name:

Location:



Description: **HIP AND RIDGE DETAIL - FIXED CLIP**

Detail No.: **ML200-WS-4.10_FX**

Substrate: **WOOD SUBSTRATE**

Project Name:
Location:

ZE21 - ZEE CLOSURE, FIELD CUT TO FIT BETWEEN PANEL RIBS

CONTINUOUS BEAD OF APPROVED SEALANT ADJACENT TO PANEL RIBS

#10-9 X 1-1/2" PANCAKE HEAD WOOD SCREW, INSTALL MIN. 4 PER ZEE OR 3" ON CENTER

3/16" X 7/8" BEAD BUTYL TAPE SEALANT CONTINUOUS UNDER ZEE CLOSURE

RC05 - RIDGE CAP, 4" END LAPS WITH CONTINUOUS APPROVED SEALANT AT LAPS

SINGLE LAYER OF APPROVED UNDERLAYMENT

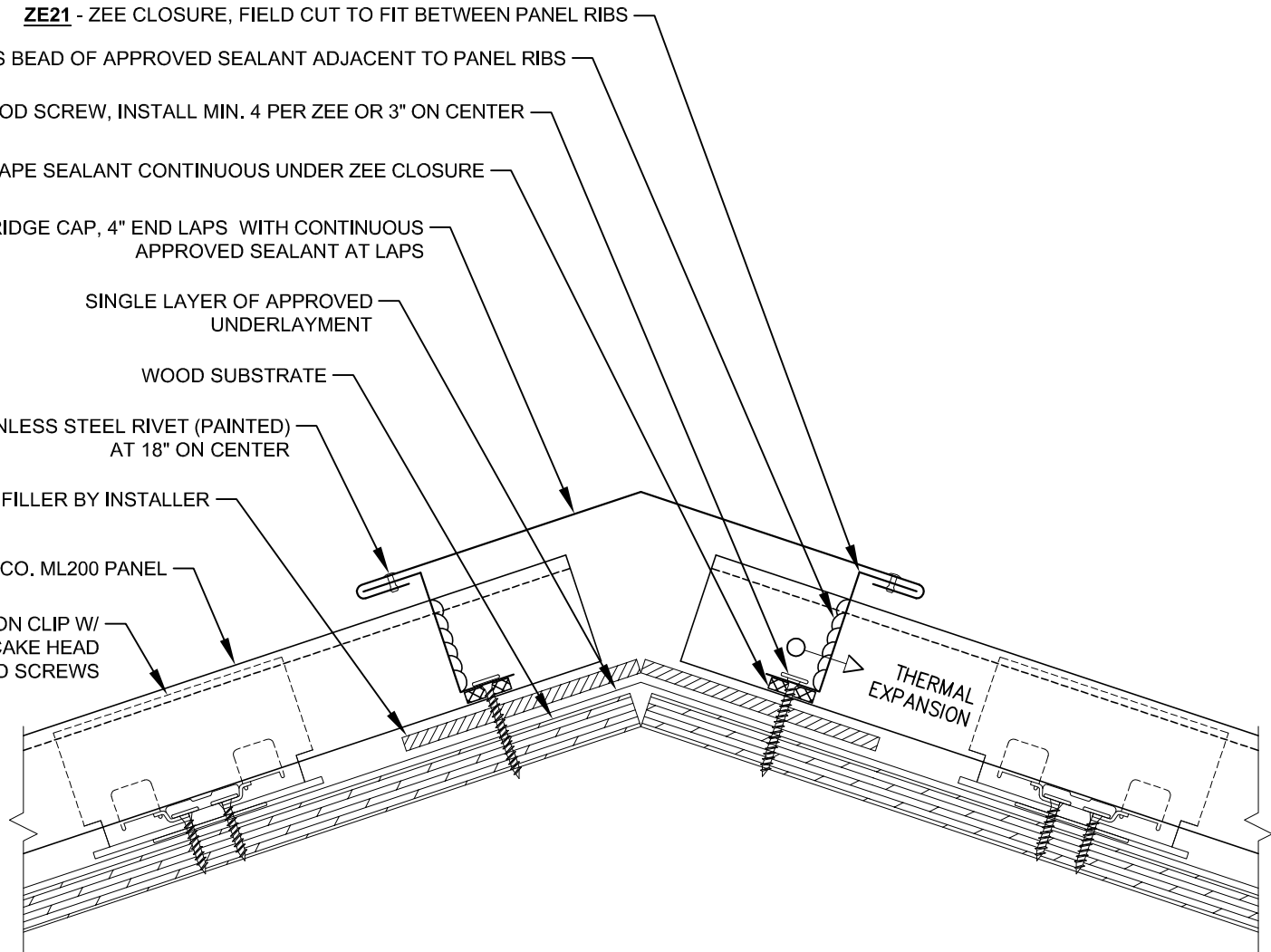
WOOD SUBSTRATE

1/8" X 1/4" STAINLESS STEEL RIVET (PAINTED) AT 18" ON CENTER

1/4" WOOD FILLER BY INSTALLER

UNION CORRUGATING CO. ML200 PANEL

ML200 LOW EXPANSION CLIP W/
(2) #10-9 X 1" PANCAKE HEAD WOOD SCREWS



Description:

HIP AND RIDGE DETAIL - EXPANSION CLIP

Detail No.:

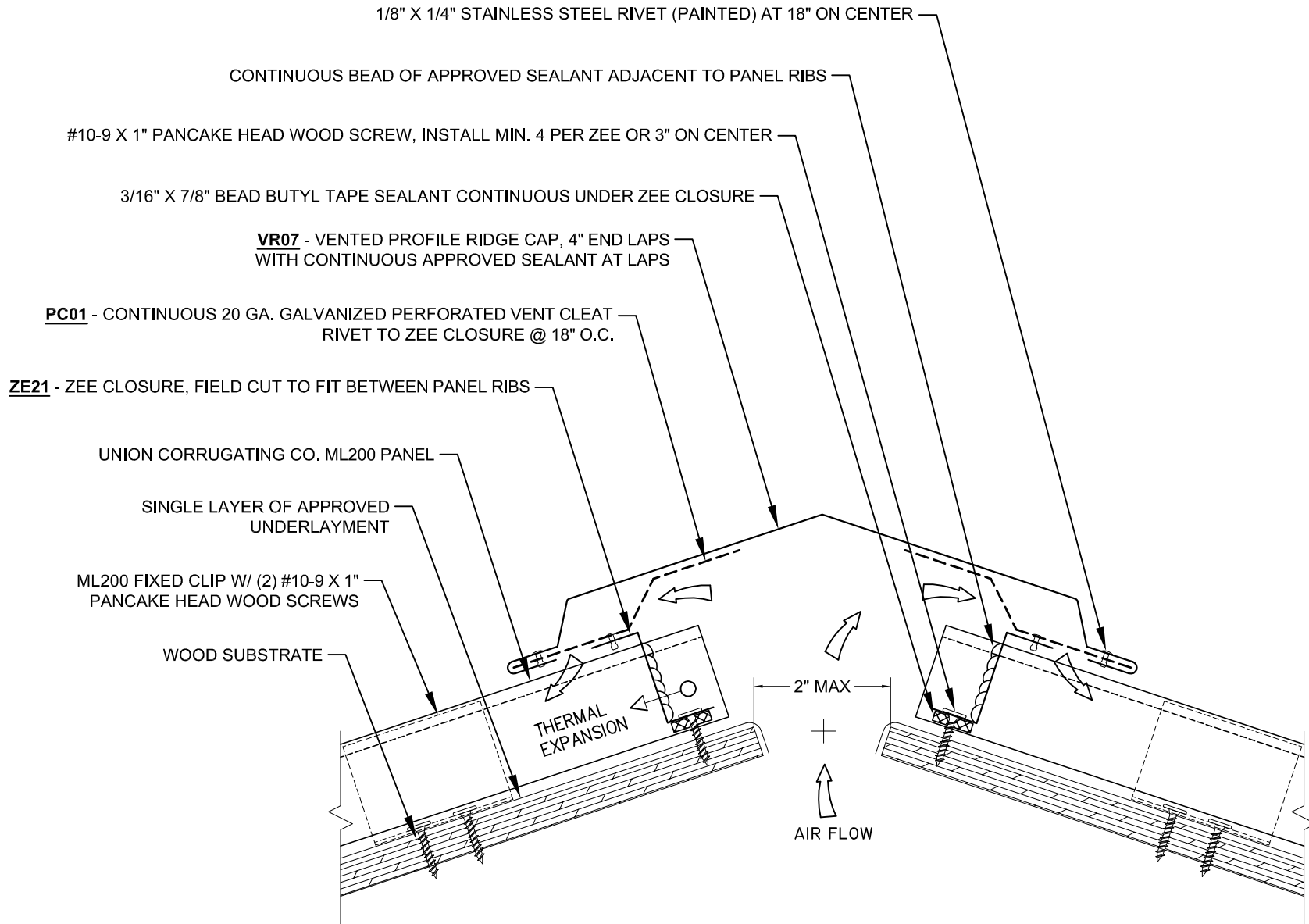
ML200-WS-4.10_EX

Substrate:

WOOD SUBSTRATE

Project Name:

Location:



Description:

VENTED RIDGE DETAIL - FIXED CLIP

Detail No.:

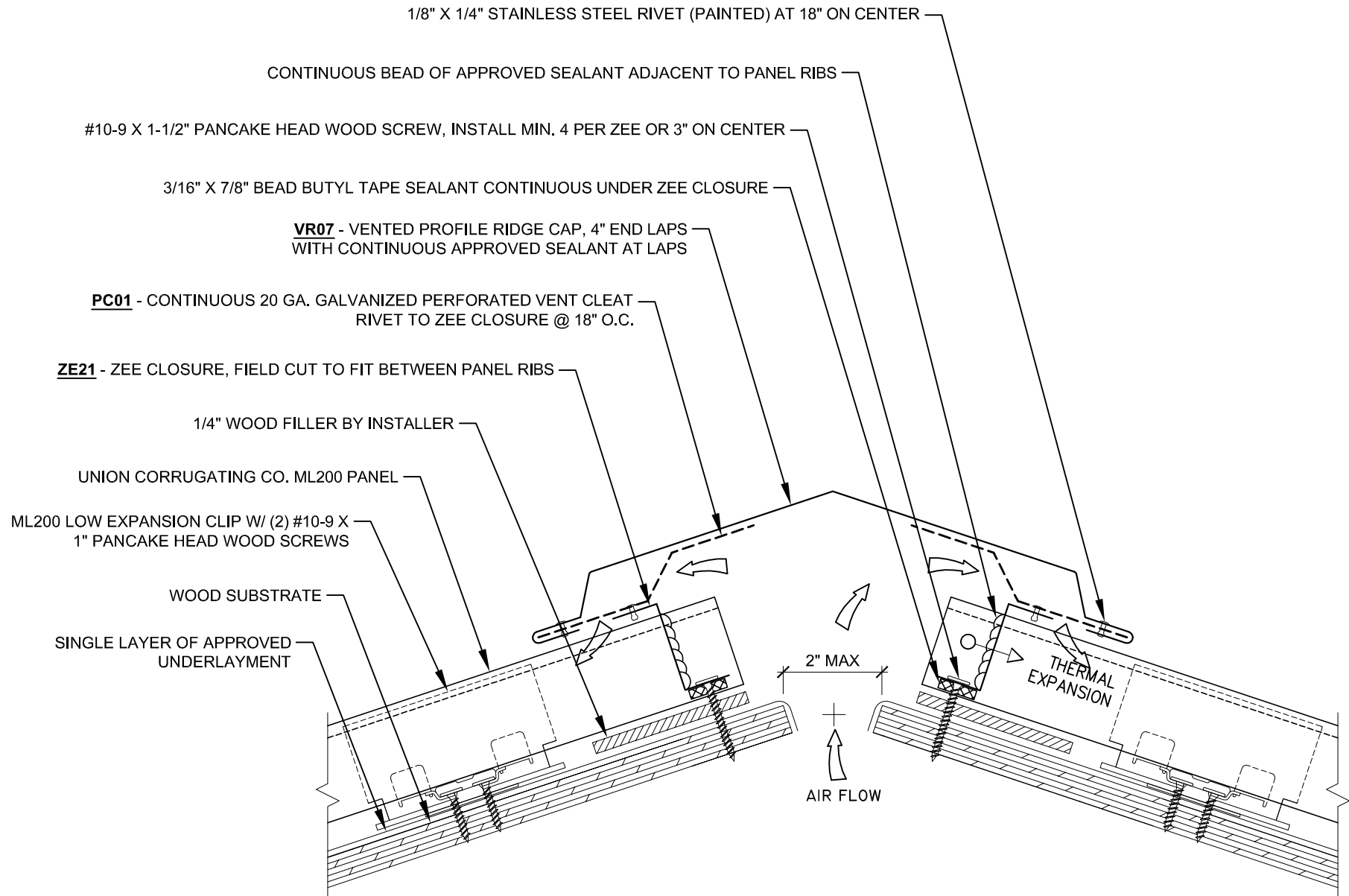
ML200-WS-4.20_FX

Substrate:

WOOD SUBSTRATE

Project Name:

Location:

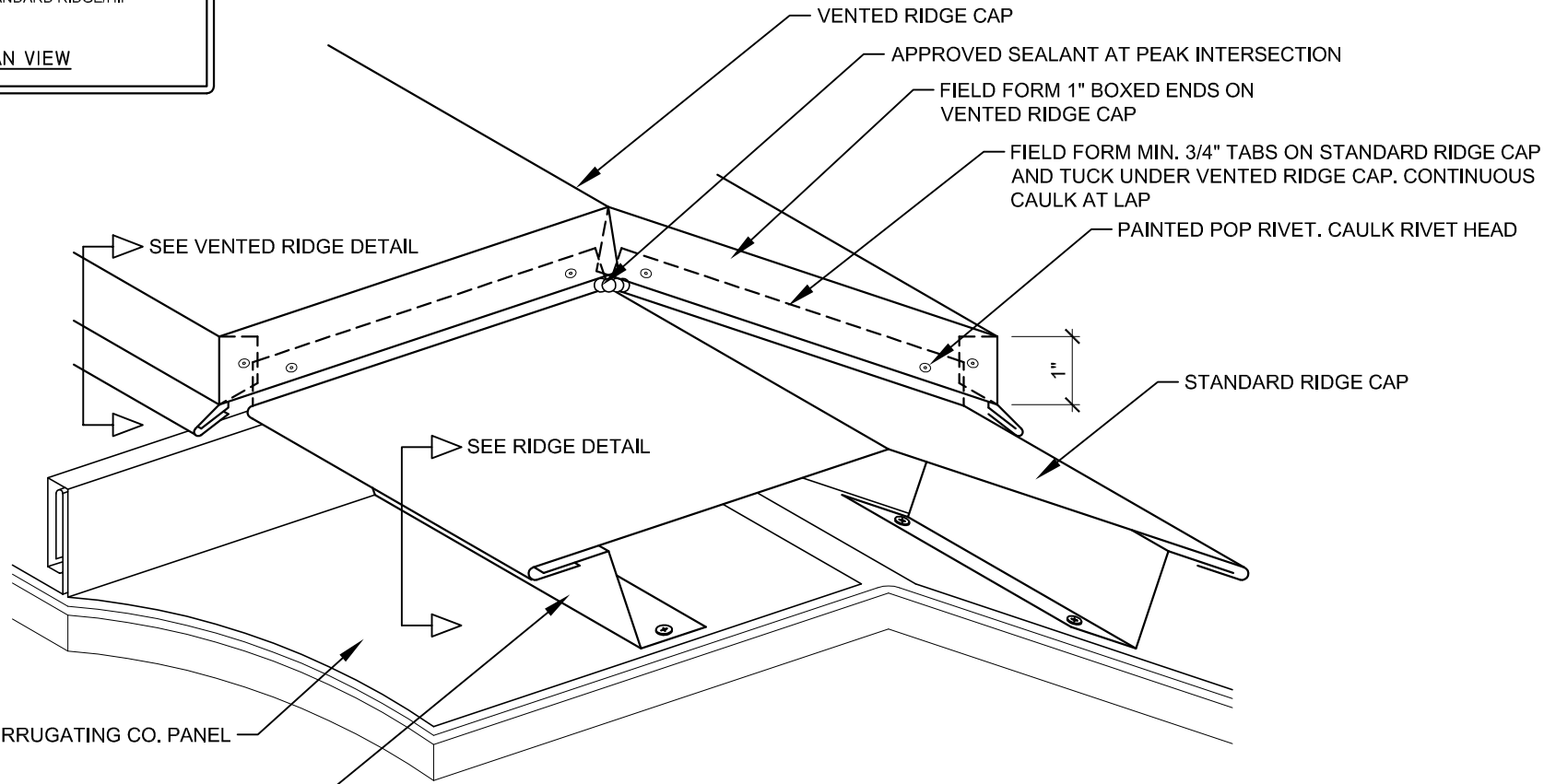
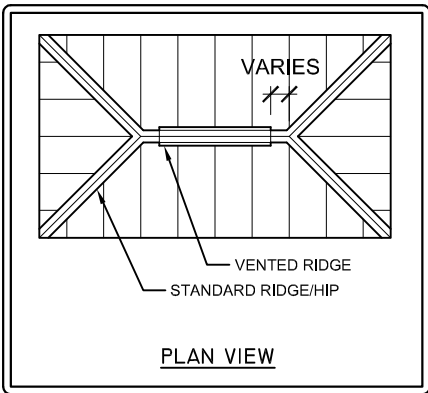


Description: **VENTED RIDGE DETAIL - EXPANSION CLIP**

Detail No.: **ML200-WS-4.20_EX**

Substrate: **WOOD SUBSTRATE**

Project Name:
Location:



ZEE CLOSURE SET IN CONTINUOUS BEAD OF SEALANT, CUT TO FIT BETWEEN PANEL RIBS

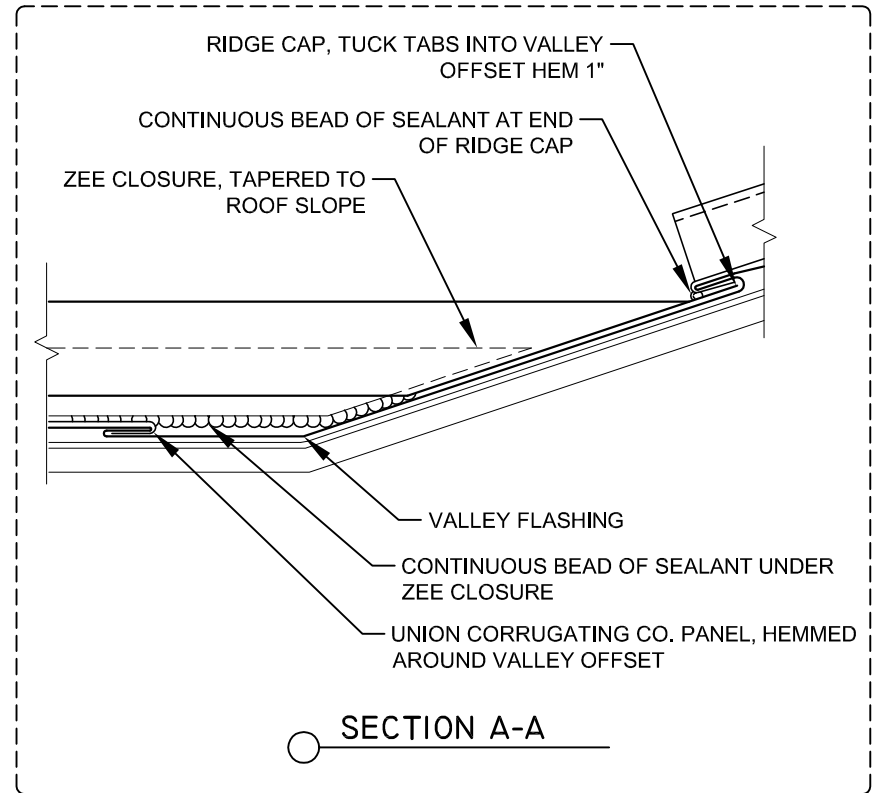
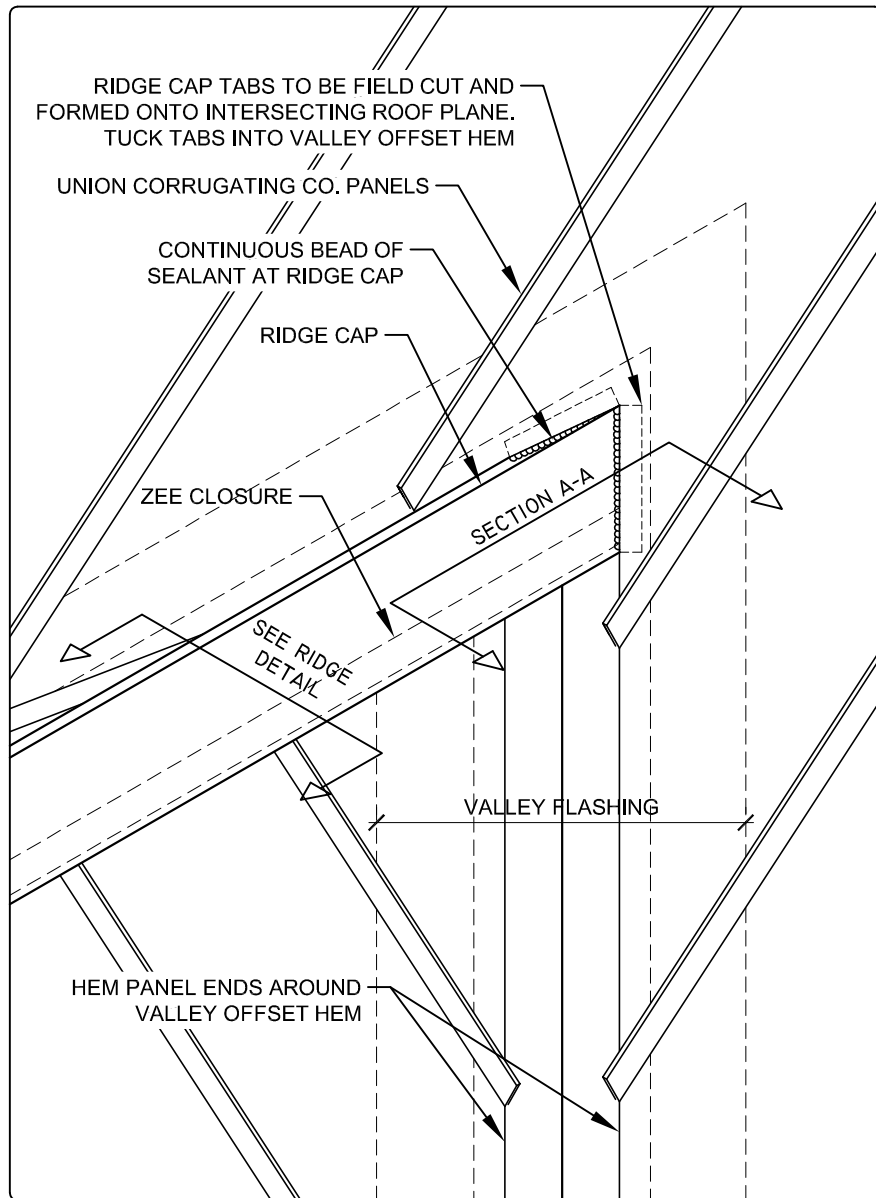


Description:
Substrate:

STANDARD TO VENTED RIDGE TRANSITION

Detail No.:
ML200-4.30

Project Name:
Location:



Description:

RIDGE TERMINATION @ VALLEY

Detail No.:

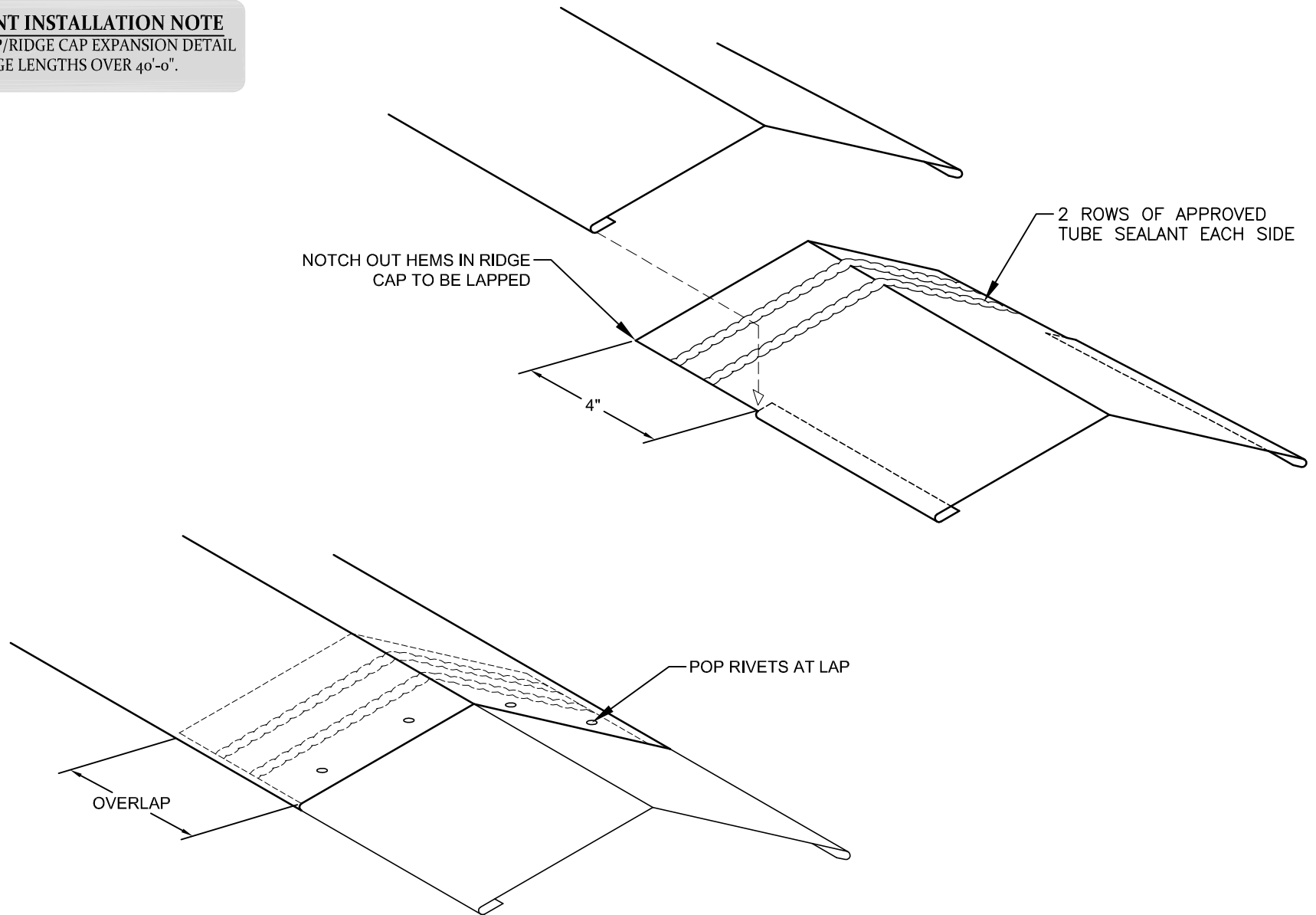
ML200-4.40

Substrate:

Project Name:

Location:

IMPORTANT INSTALLATION NOTE
REFER TO HIP/RIDGE CAP EXPANSION DETAIL
FOR HIP/RIDGE LENGTHS OVER 40'-0".



Description:

HIP & RIDGE CAP LAP DETAIL

Detail No.:

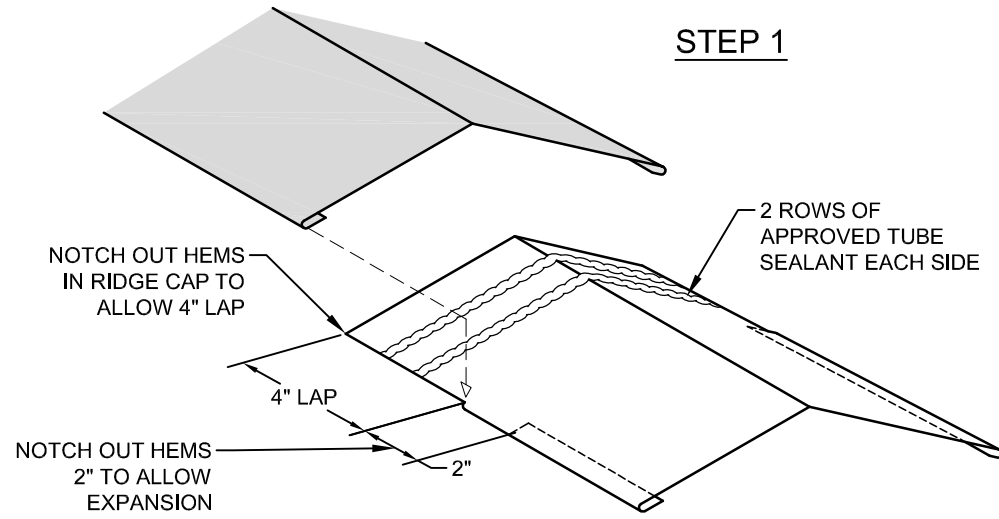
ML200-4.90

Substrate:

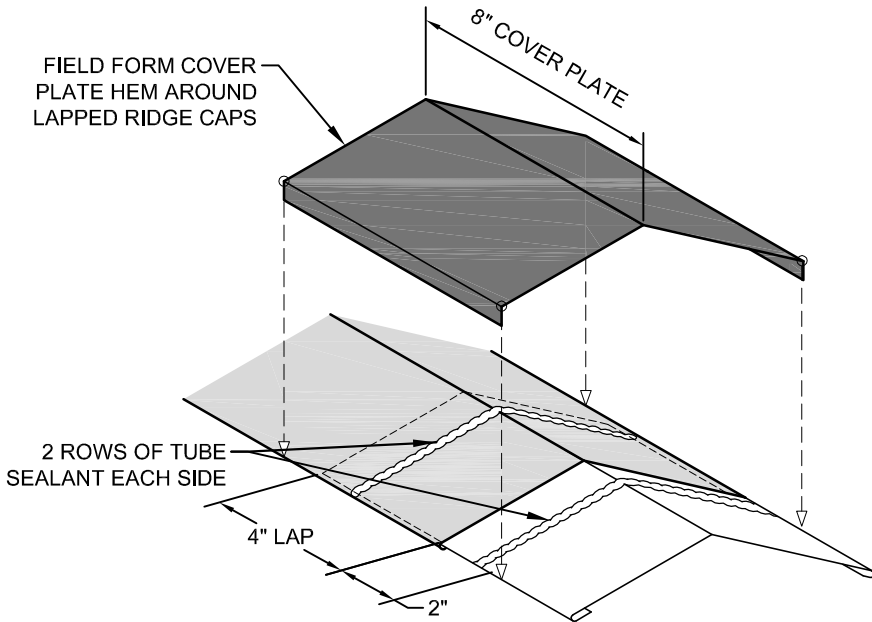
Project Name:

Location:

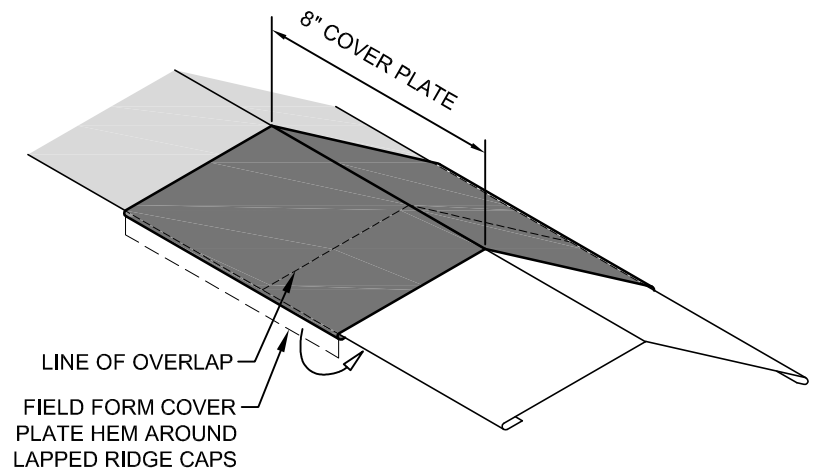
STEP 1



IMPORTANT INSTALLATION NOTE
 USE AT EVERY 40'0" OF CONTINUOUS RIDGE.
 DO NOT POP RIVET LAPPED FLASHING.



STEP 2



STEP 3

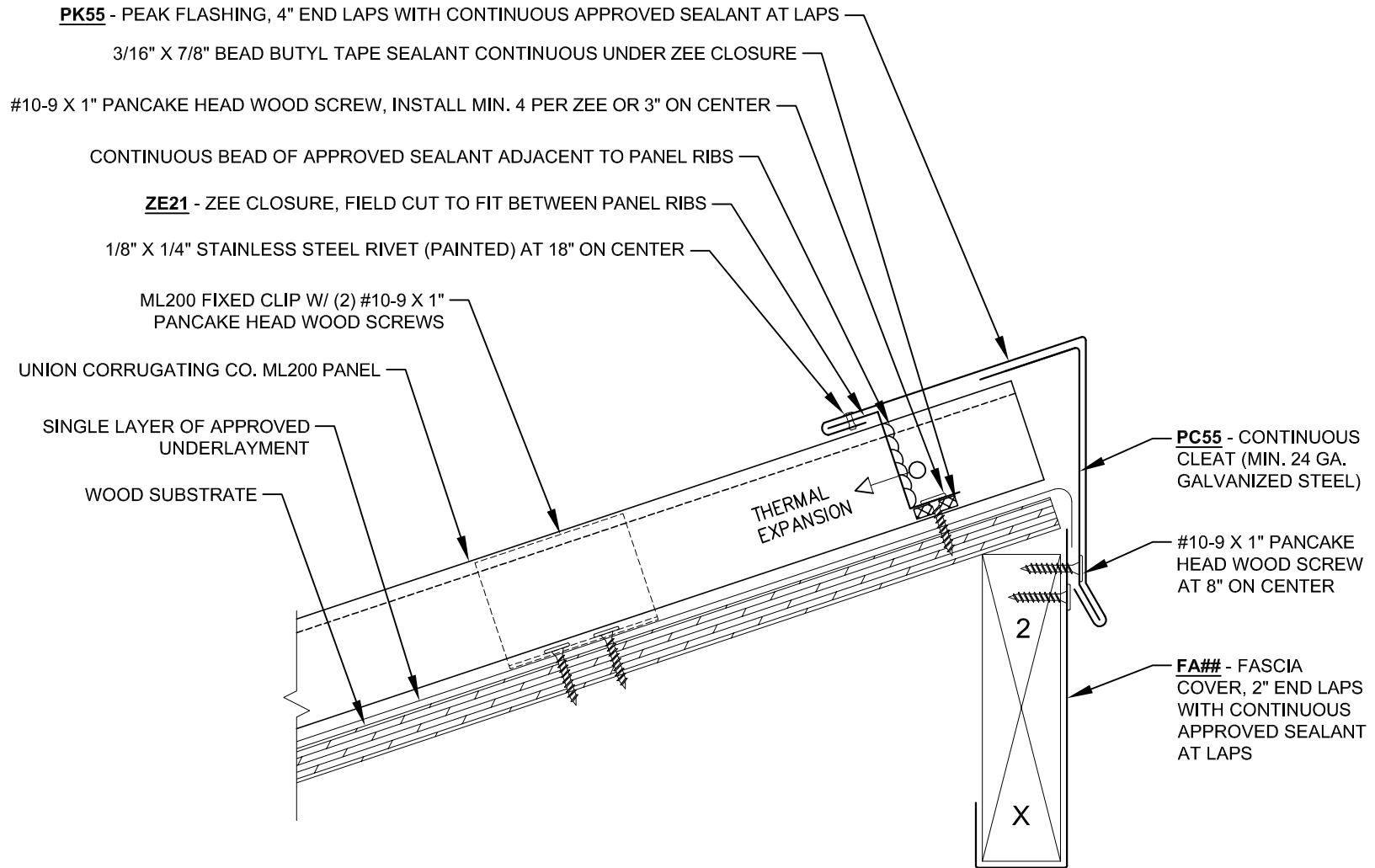


Description:
 Substrate:

HIP & RIDGE CAP EXPANSION

Detail No.:
 ML200-4.91

Project Name:
 Location:



Description:

PEAK DETAIL - FIXED CLIP

Detail No.:

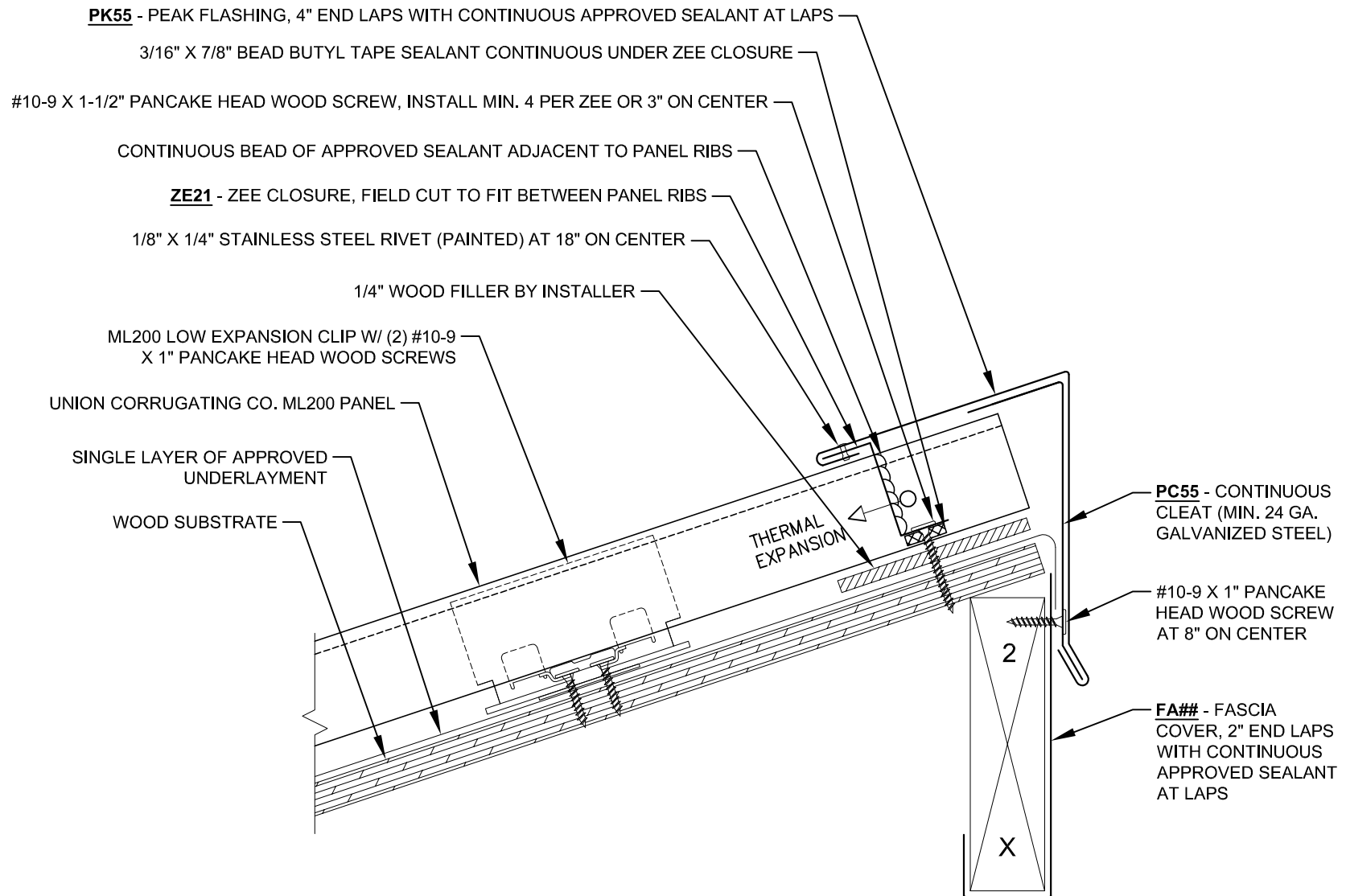
ML200-WS-5.10_FX

Substrate:

WOOD SUBSTRATE

Project Name:

Location:



Description:

PEAK DETAIL - EXPANSION CLIP

Detail No.:

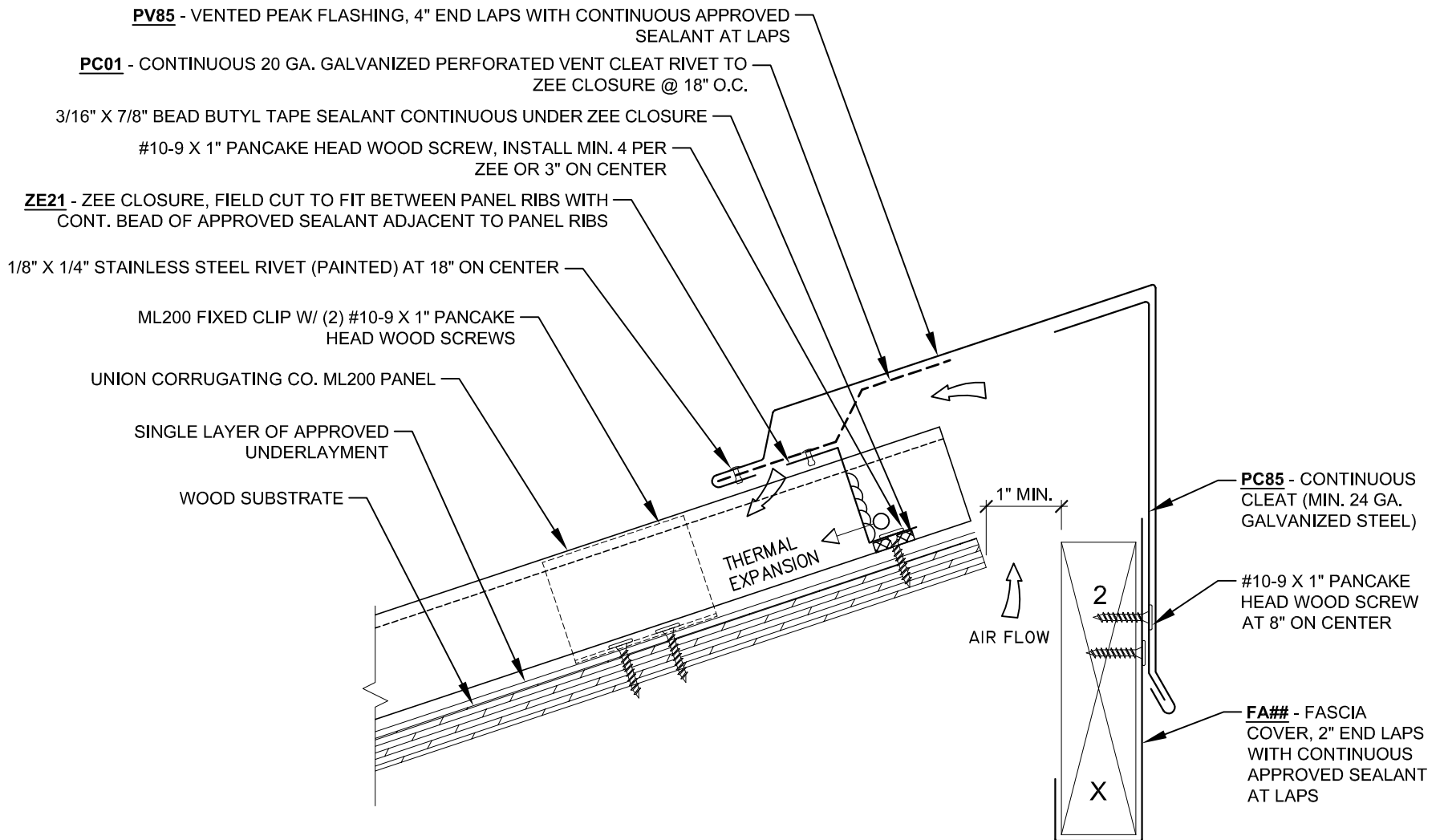
ML200-WS-5.10_EX

Substrate:

WOOD SUBSTRATE

Project Name:

Location:



Description:

VENTED PEAK DETAIL - FIXED CLIP

Detail No.:

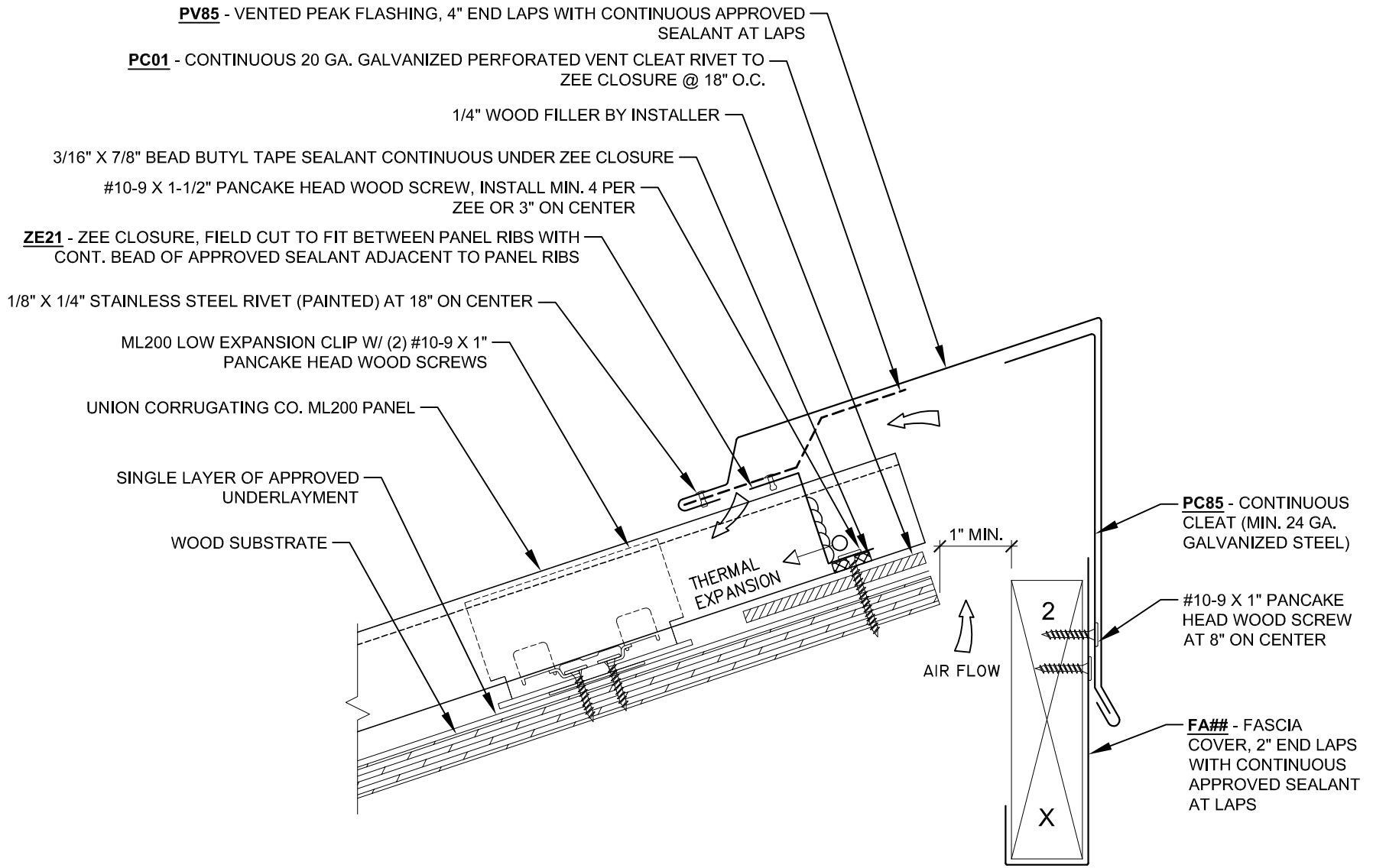
ML200-WS-5.20_FX

Substrate:

WOOD SUBSTRATE

Project Name:

Location:

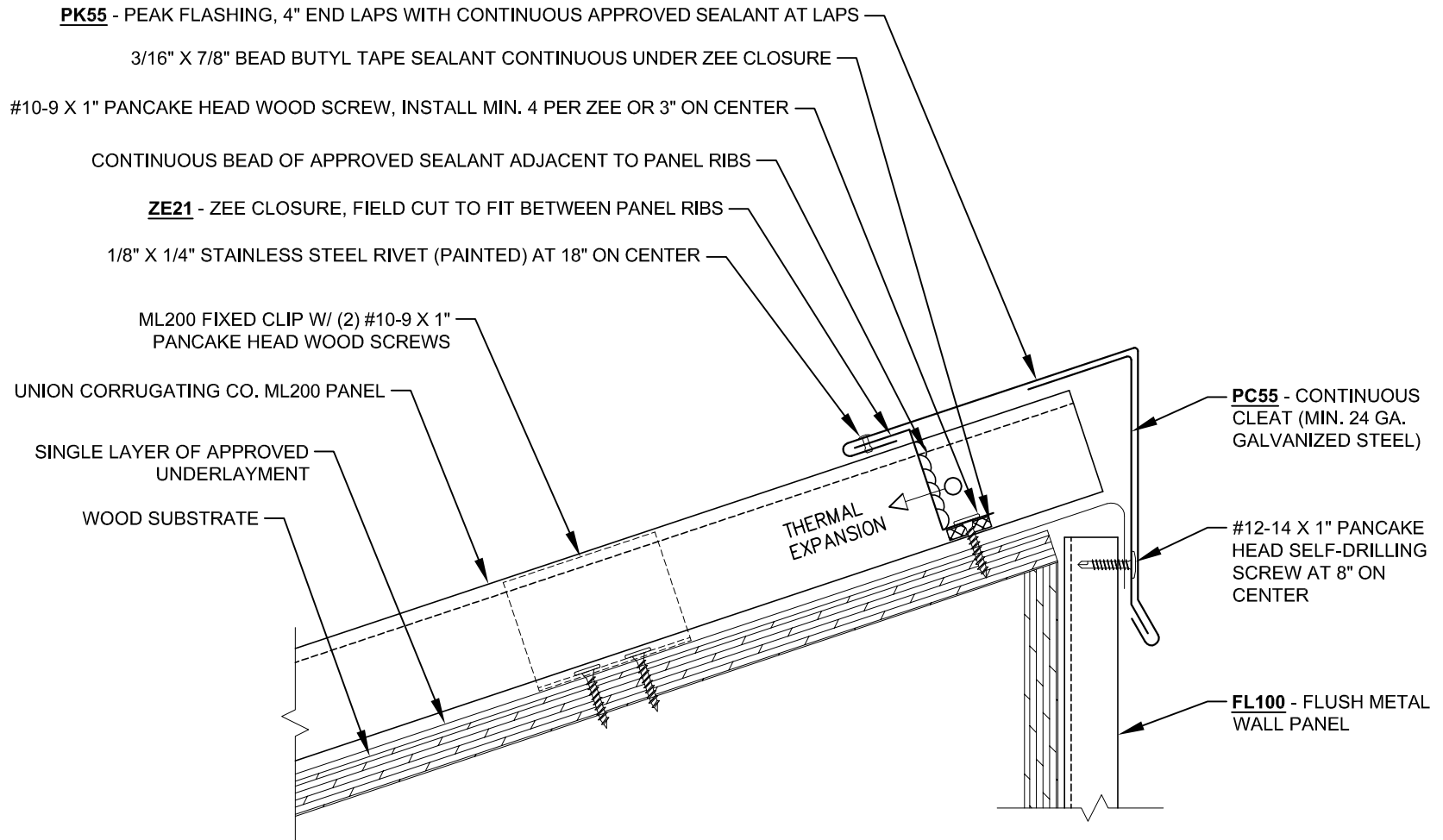


Description: **VENTED PEAK DETAIL - EXPANSION CLIP**

Substrate: **WOOD SUBSTRATE**

Detail No.: **ML200-WS-5.20_EX**

Project Name:
Location:

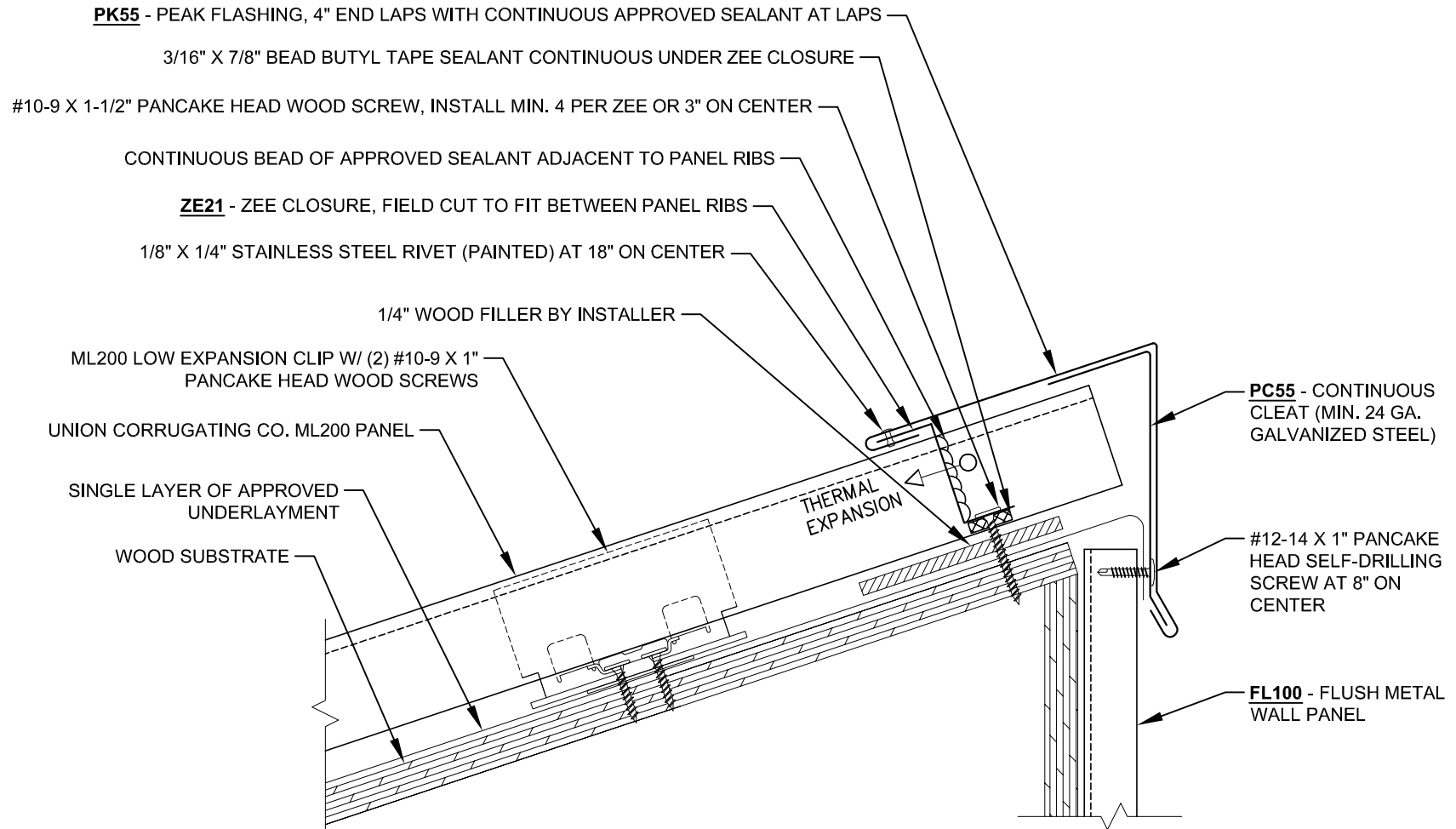


Description: **PEAK DETAIL - W/ WALL PANELS - FIXED CLIP**

Detail No.:
ML200-WS-5.40_FX

Substrate:
WOOD SUBSTRATE

Project Name:
Location:

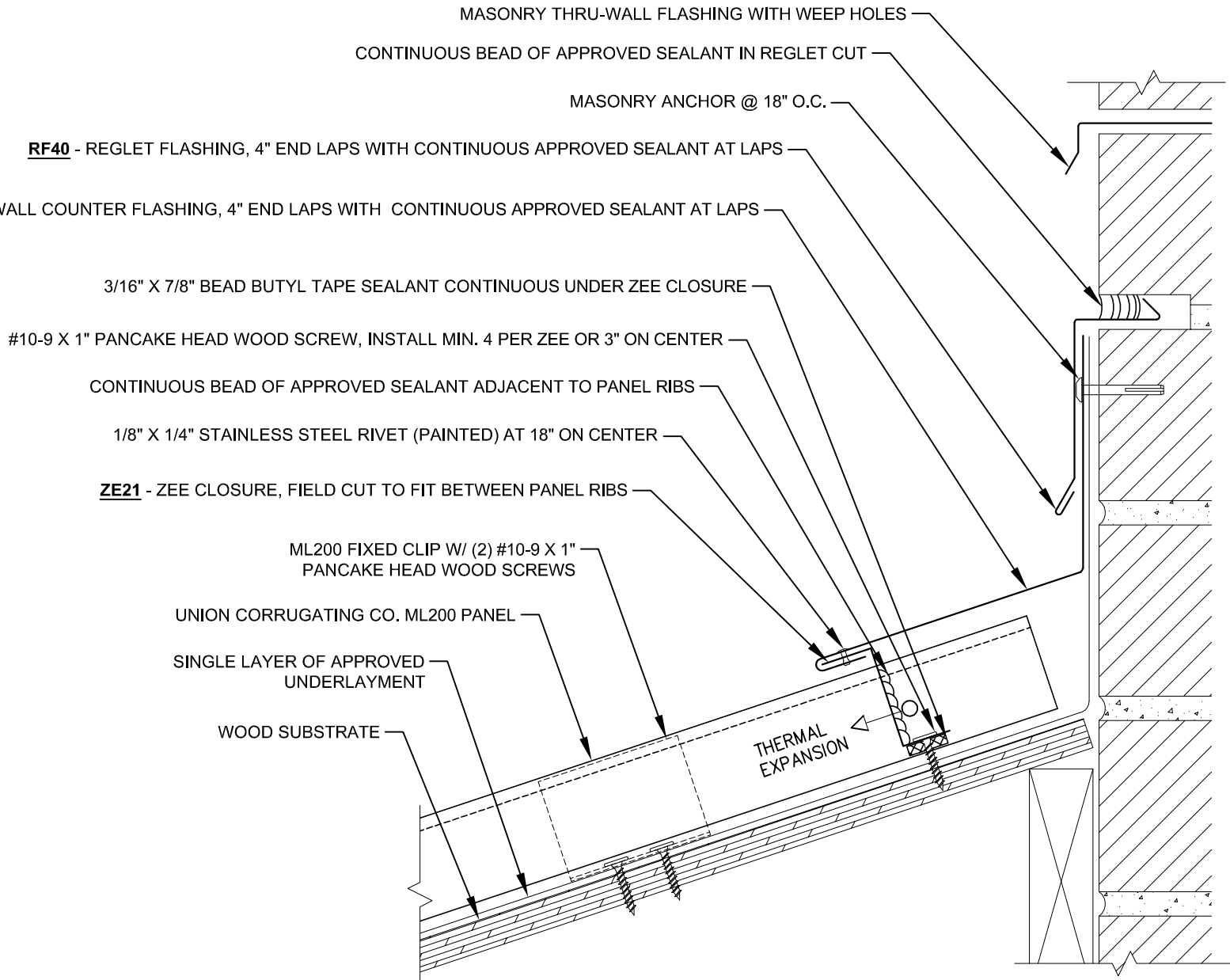


Description: **PEAK DETAIL - W/ WALL PANELS - EXPANSION CLIP**

Detail No.: **ML200-WS-5.40_EX**

Substrate: **WOOD SUBSTRATE**

Project Name:
Location:

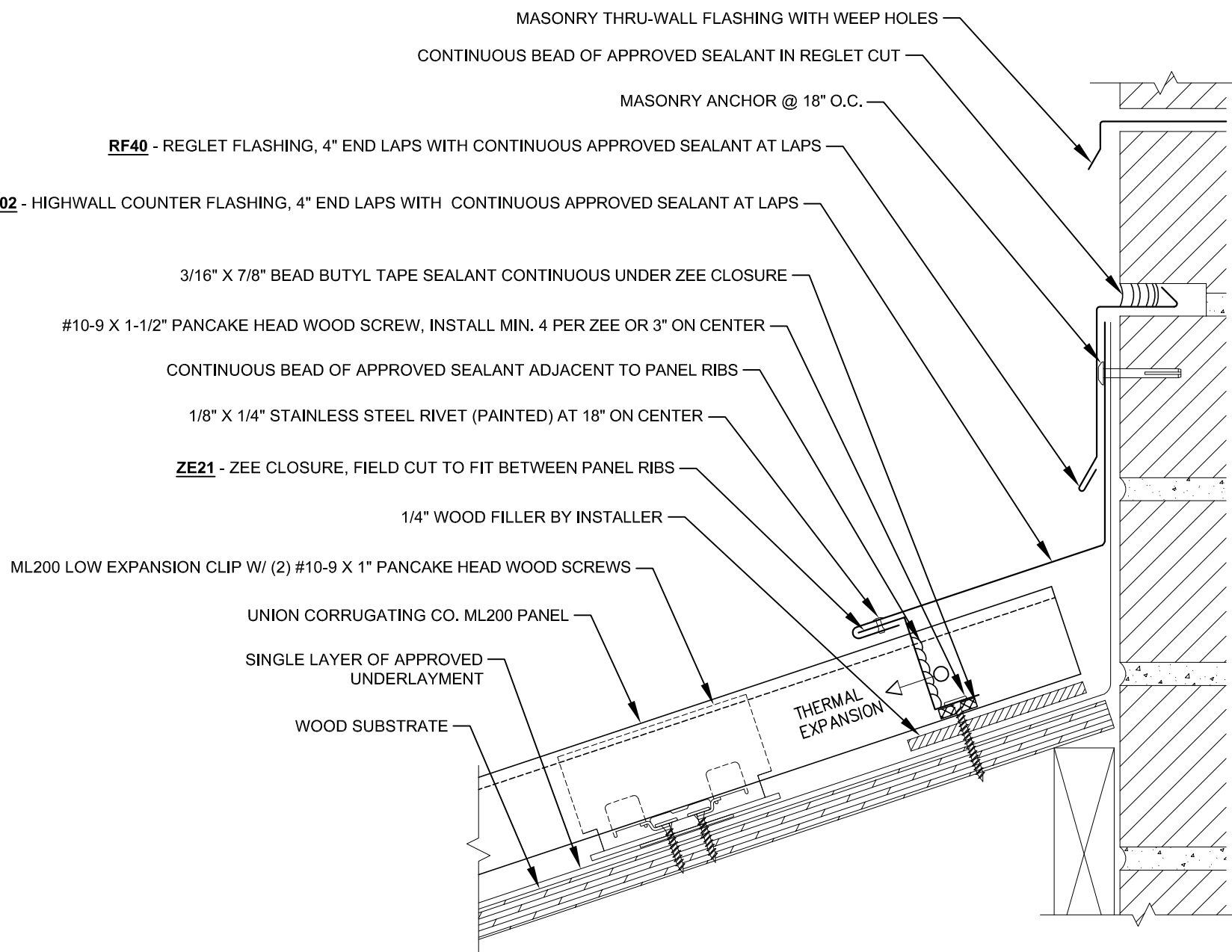


Description: **HIGH WALL DETAIL - REGLET - FIXED CLIP**

Substrate: **WOOD SUBSTRATE**

Detail No.: **ML200-WS-6.10_FX**

Project Name:
Location:

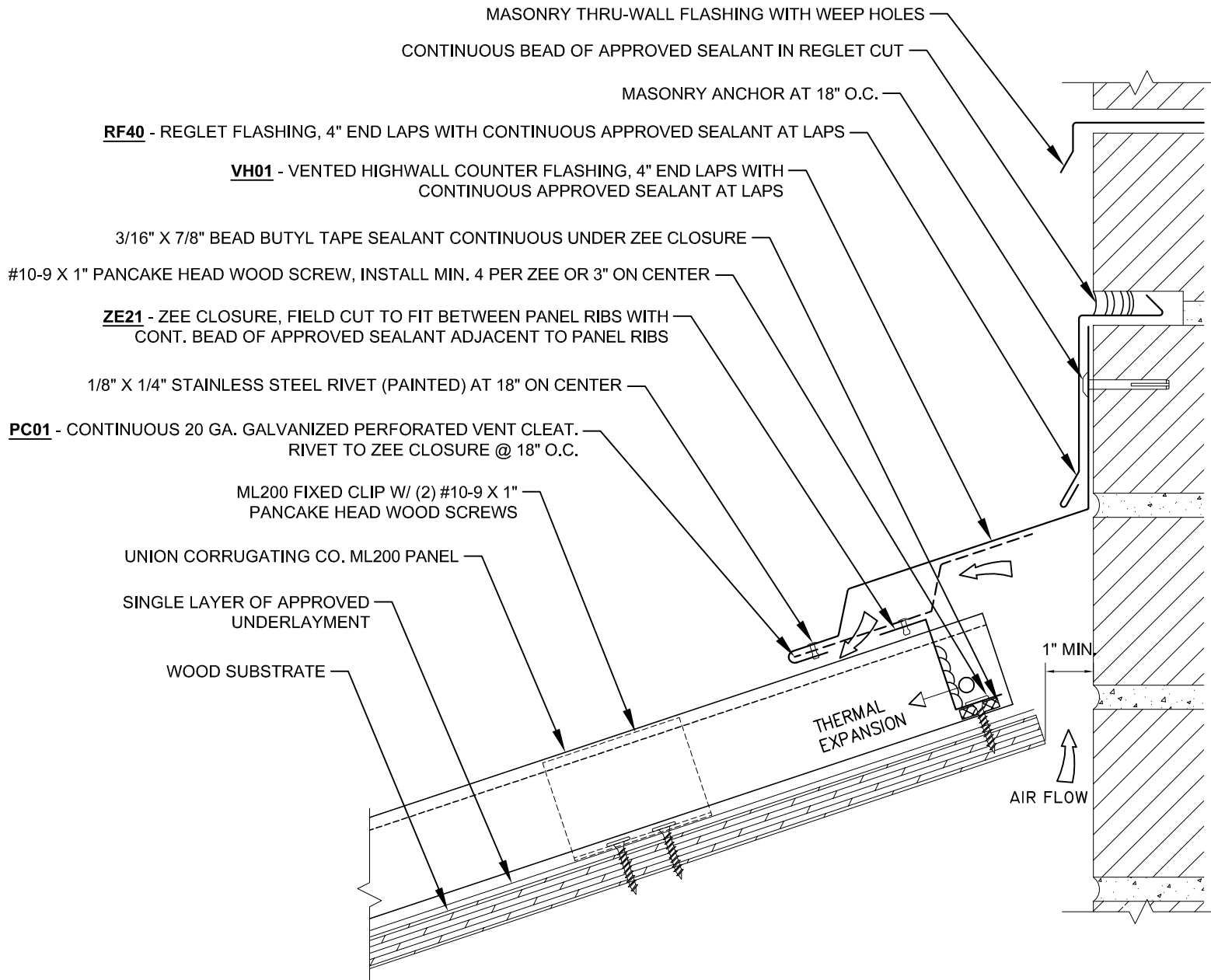


Description: **HIGH WALL DETAIL - REGLET - EXPANSION CLIP**

Detail No.: **ML200-WS-6.10_EX**

Substrate: **WOOD SUBSTRATE**

Project Name:
Location:

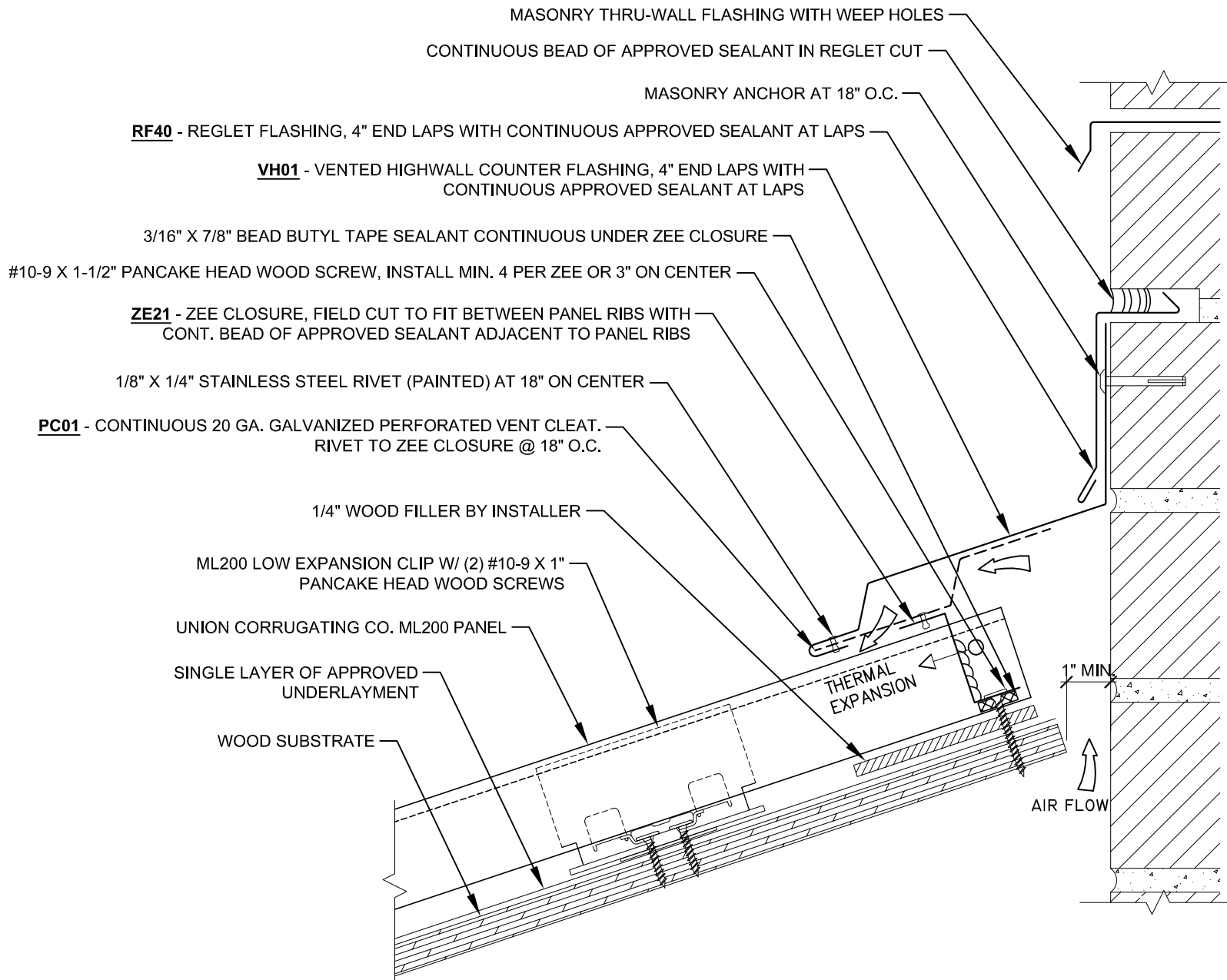


Description: **VENTED HIGH WALL DETAIL - REGLET - FIXED CLIP**

Detail No.: **ML200-WS-6.11_FX**

Substrate: **WOOD SUBSTRATE**

Project Name:
Location:

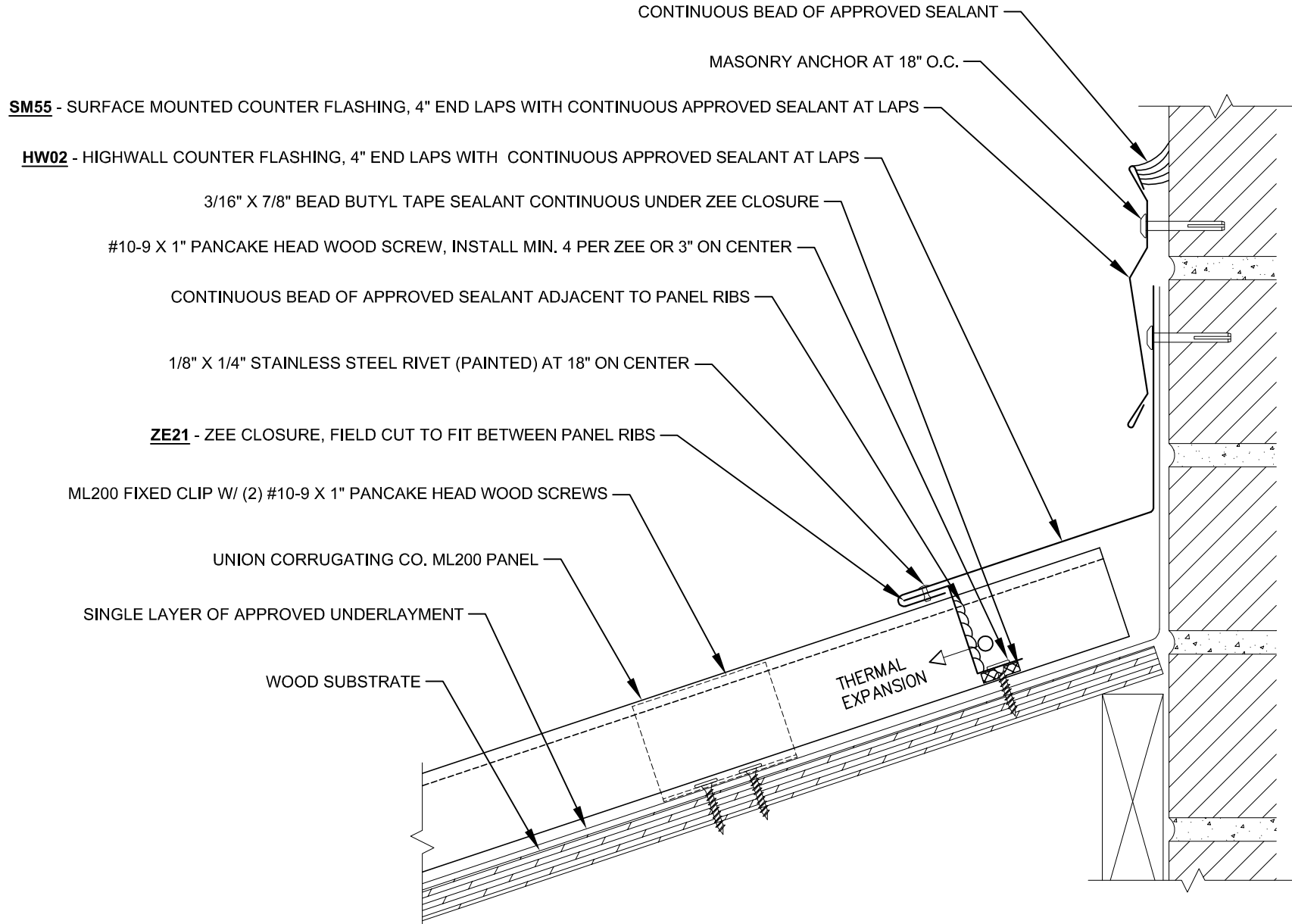


Description: **VENTED HIGH WALL DETAIL - REGLET - EXPANSION CLIP**

Substrate: **WOOD SUBSTRATE**

Detail No.: **ML200-WS-6.11_EX**

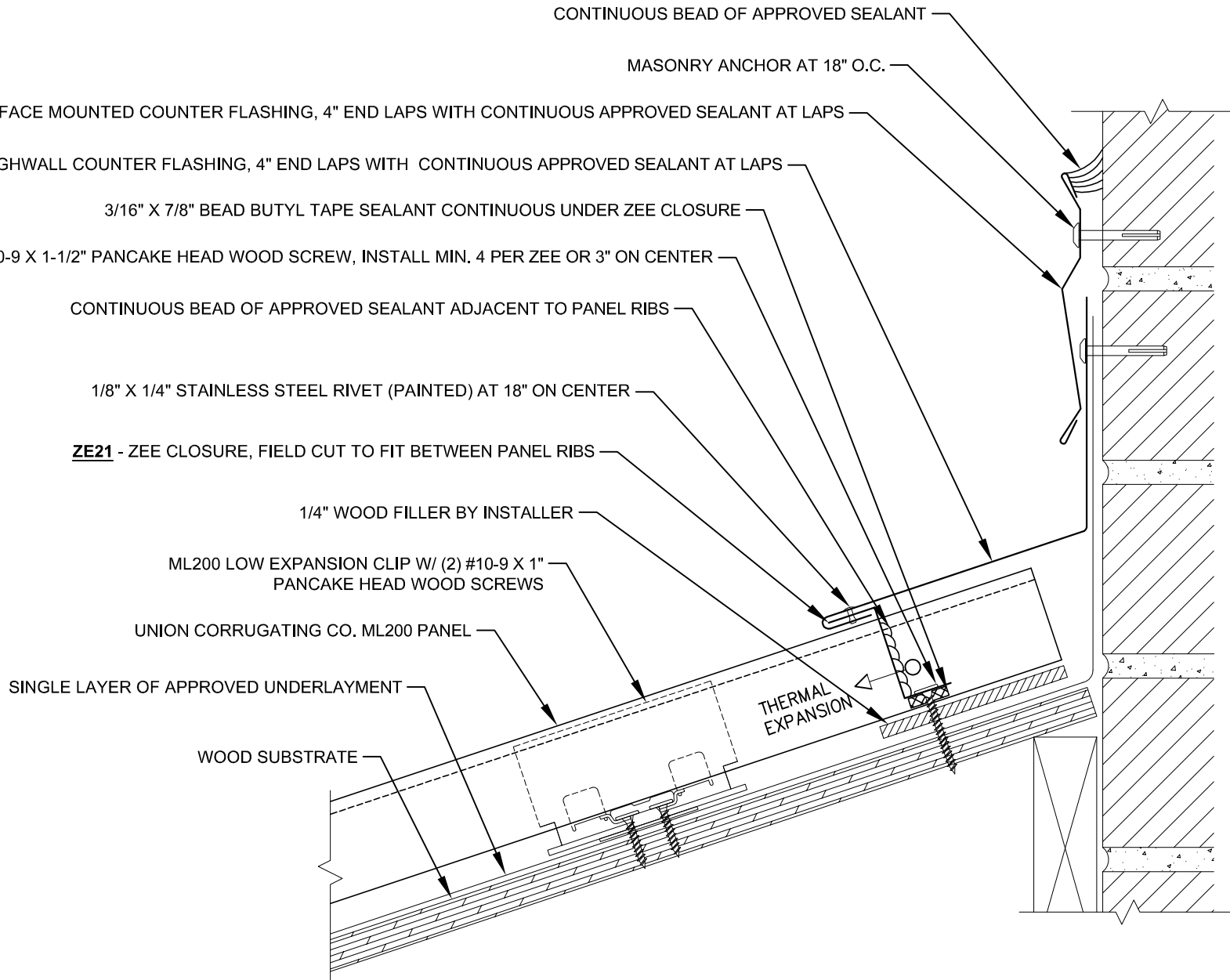
Project Name:
Location:



Description: **HIGH WALL DETAIL - SURFACE MOUNTED - FIXED CLIP**
 Substrate: **WOOD SUBSTRATE**

Detail No.: **ML200-WS-6.12_FX**

Project Name:
 Location:

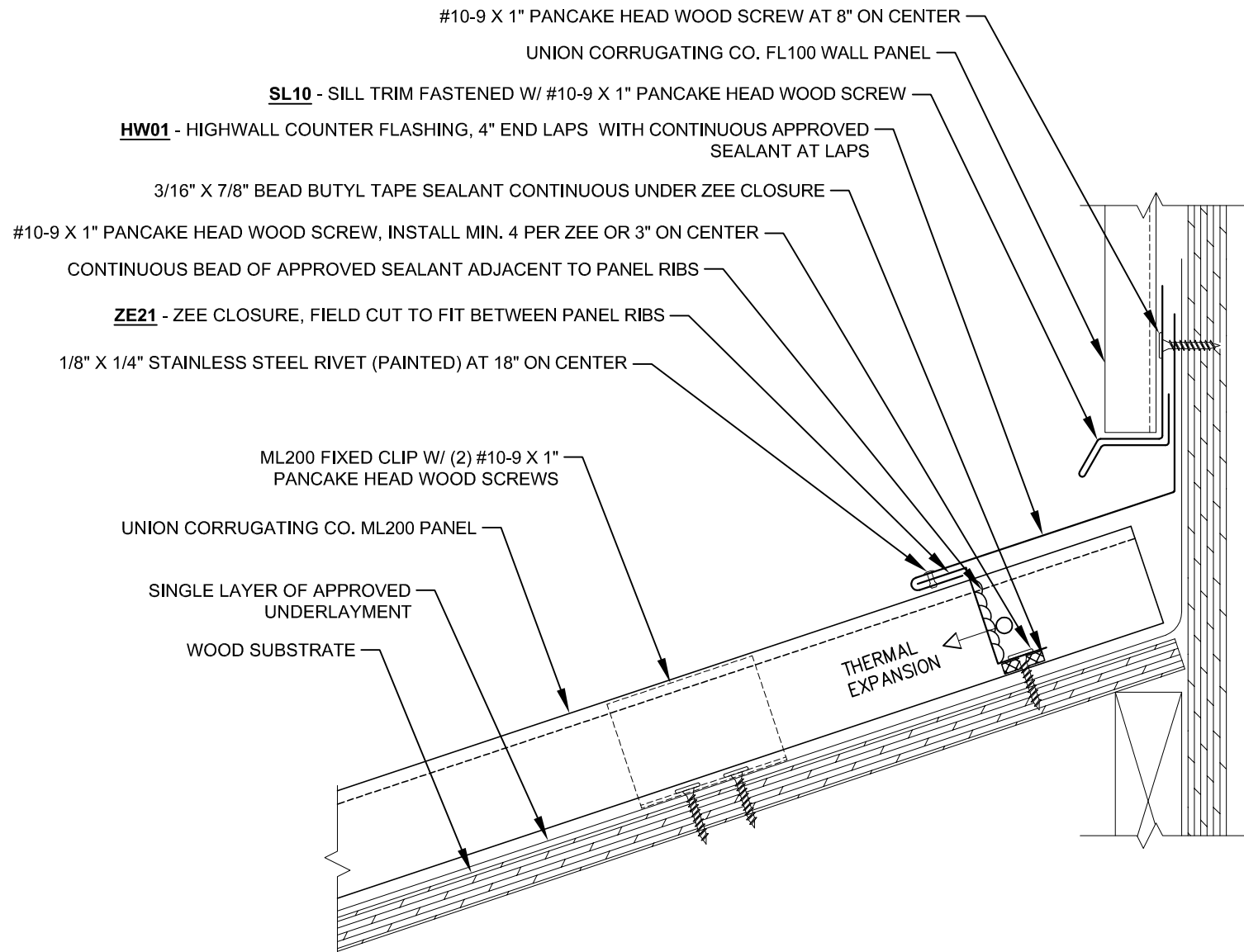


Description: **HIGH WALL DETAIL - SURFACE MOUNTED - EXPANSION CLIP**

Substrate: **WOOD SUBSTRATE**

Detail No.: **ML200-WS-6.12_EX**

Project Name:
Location:

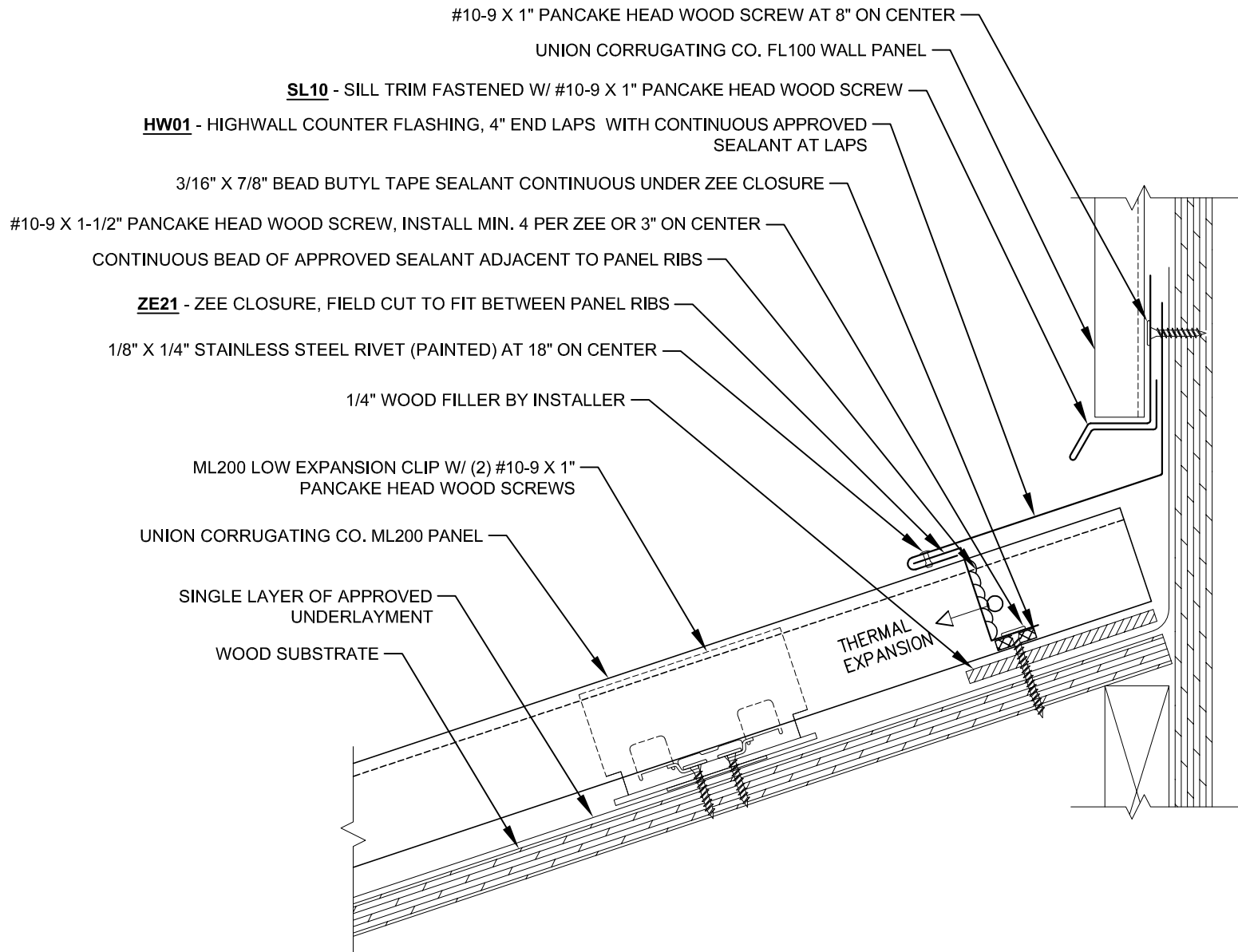


Description: **HIGH WALL DETAIL - WALL PANEL W/ SILL - FIXED CLIP**

Detail No.: **ML200-WS-6.14_FX**

Substrate: **WOOD SUBSTRATE**

Project Name:
Location:



Description: HIGH WALL DETAIL - WALL PANEL W/ SILL - EXPANSION CLIP

Detail No.: ML200-WS-6.14_EX

Substrate: WOOD SUBSTRATE

Project Name:
Location:

MEMBRANE ROOFING SYSTEM. EXTEND OVER PARAPET AND DOWN FACE OF WALL MINIMUM 3"

COPING SYSTEM WITH CONTINUOUS CLEAT (MIN. 24 GAUGE) FASTENED AT 8" ON CENTER AT CLEAT AND 24" ON CENTER AT REAR. INSTALL WITH 4" END LAPS WITH CONTINUOUS APPROVED SEALANT AT LAPS.

HW02 - HIGHWALL COUNTER FLASHING, 4" END LAPS WITH CONTINUOUS APPROVED SEALANT AT LAPS

3/16" X 7/8" BEAD BUTYL TAPE SEALANT CONTINUOUS UNDER ZEE CLOSURE

#10-9 X 1" PANCAKE HEAD WOOD SCREW, INSTALL MIN. 4 PER ZEE OR 3" ON CENTER

CONTINUOUS BEAD OF APPROVED SEALANT ADJACENT TO PANEL RIBS

ZE21 - ZEE CLOSURE, FIELD CUT TO FIT BETWEEN PANEL RIBS

1/8" X 1/4" STAINLESS STEEL RIVET (PAINTED) AT 18" ON CENTER

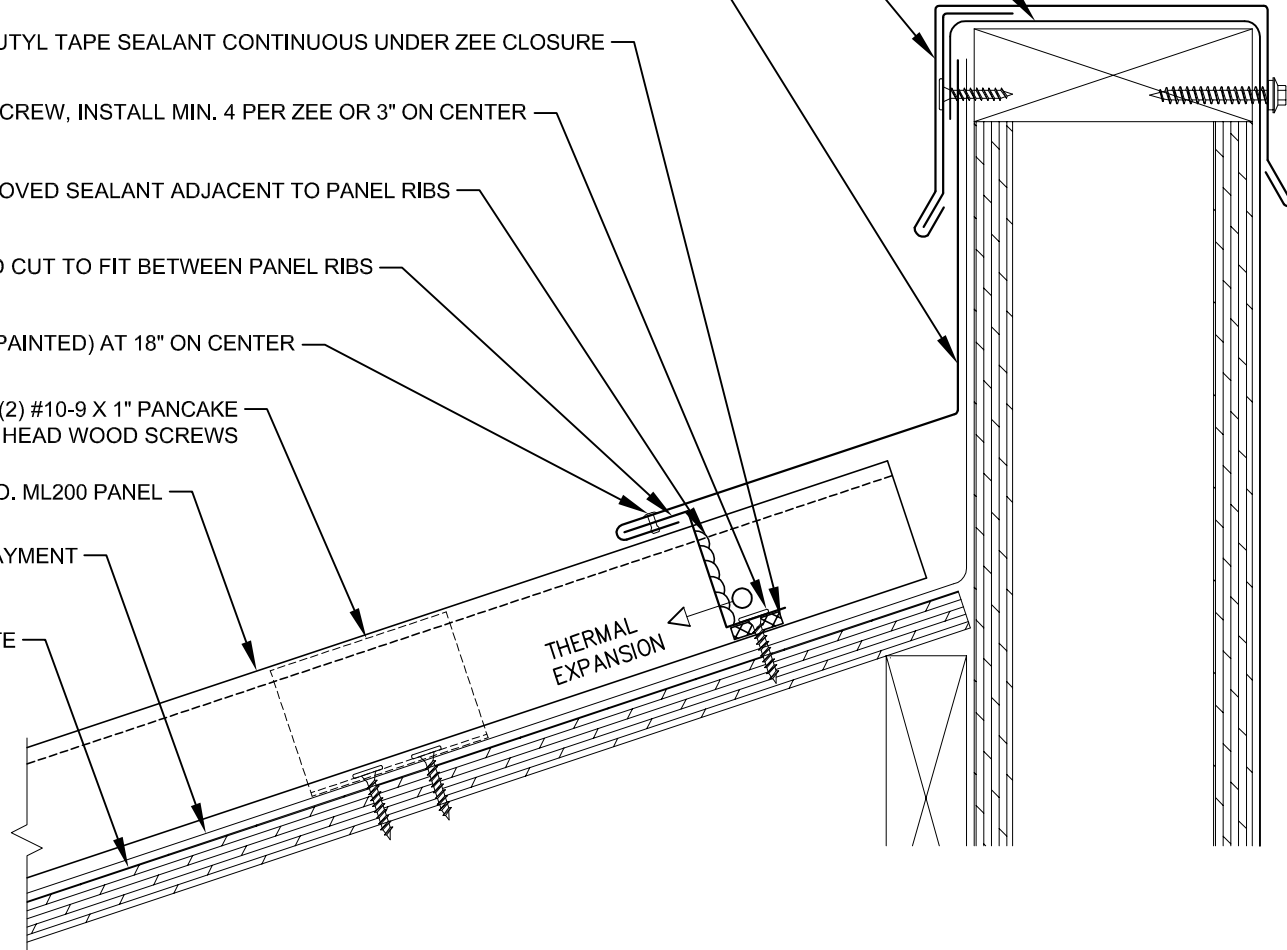
ML200 FIXED CLIP W/ (2) #10-9 X 1" PANCAKE HEAD WOOD SCREWS

UNION CORRUGATING CO. ML200 PANEL

SINGLE LAYER OF APPROVED UNDERLAYMENT

WOOD SUBSTRATE

THERMAL EXPANSION



Description: HIGH WALL DETAIL - PARAPET COPING - FIXED CLIP

Detail No.: ML200-WS-6.20_FX

Substrate: WOOD SUBSTRATE

Project Name:

Location:

MEMBRANE ROOFING SYSTEM. EXTEND OVER PARAPET AND DOWN FACE OF WALL MINIMUM 3"

COPING SYSTEM WITH CONTINUOUS CLEAT (MIN. 24 GAUGE) FASTENED AT 8" ON CENTER AT CLEAT AND 24" ON CENTER AT REAR. INSTALL WITH 4" END LAPS WITH CONTINUOUS APPROVED SEALANT AT LAPS.

HW02 - HIGHWALL COUNTER FLASHING, 4" END LAPS WITH CONTINUOUS APPROVED SEALANT AT LAPS

3/16" X 7/8" BEAD BUTYL TAPE SEALANT CONTINUOUS UNDER ZEE CLOSURE

#10-9 X 1-1/2" PANCAKE HEAD WOOD SCREW, INSTALL MIN. 4 PER ZEE OR 3" ON CENTER

CONTINUOUS BEAD OF APPROVED SEALANT ADJACENT TO PANEL RIBS

ZE21 - ZEE CLOSURE, FIELD CUT TO FIT BETWEEN PANEL RIBS

1/8" X 1/4" STAINLESS STEEL RIVET (PAINTED) AT 18" ON CENTER

1/4" WOOD FILLER BY INSTALLER

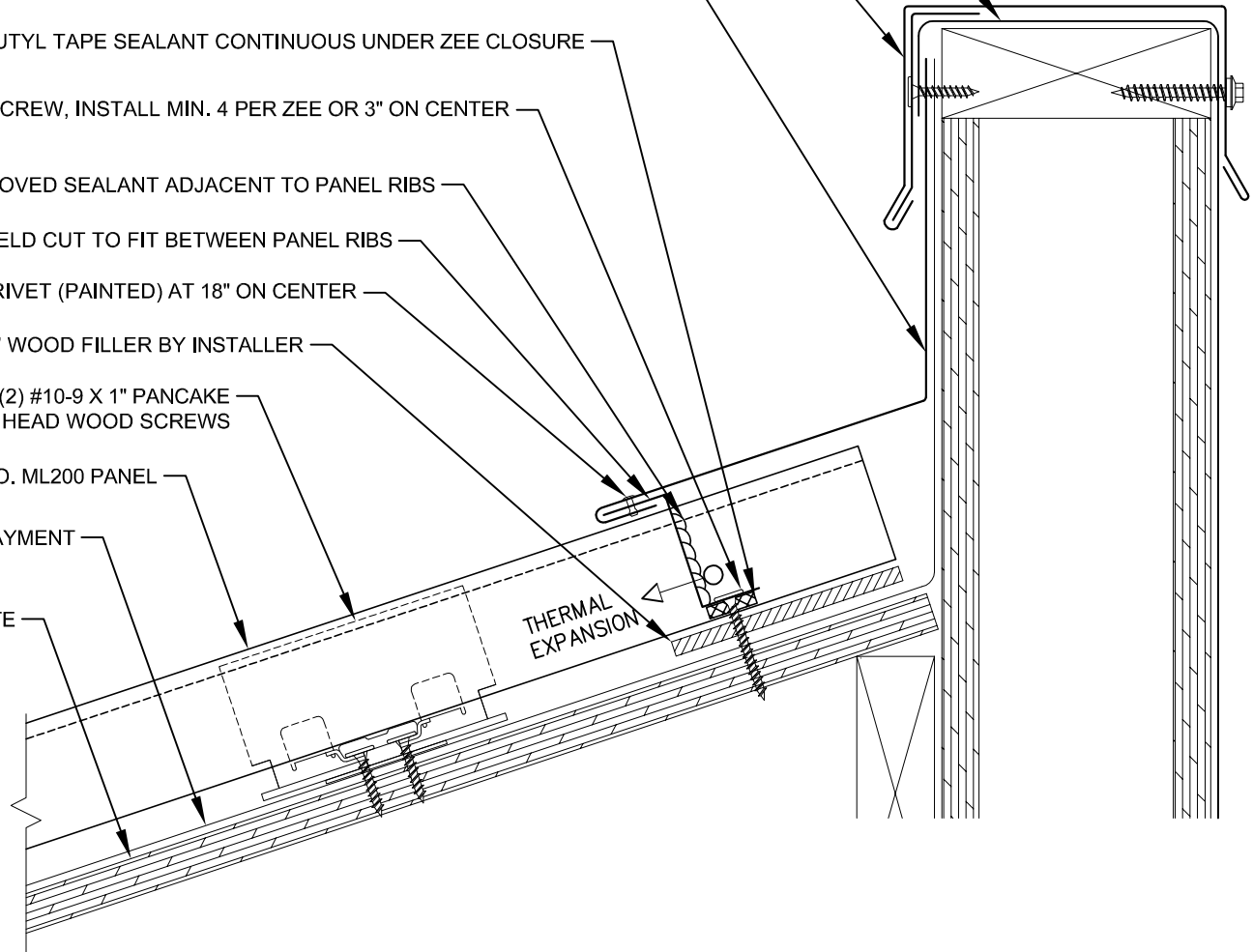
ML200 LOW EXPANSION CLIP W/ (2) #10-9 X 1" PANCAKE HEAD WOOD SCREWS

UNION CORRUGATING CO. ML200 PANEL

SINGLE LAYER OF APPROVED UNDERLAYMENT

WOOD SUBSTRATE

THERMAL EXPANSION



Description: **HIGH WALL DETAIL - PARAPET COPING - EXPANSION CLIP**

Detail No.: **ML200-WS-6.20_EX**

Substrate: **WOOD SUBSTRATE**

Project Name:

Location:

FILL END OF PANEL RIB W/ APPROVED SEALANT FOLD TAB AROUND RIB FOR CLOSURE

LW01 - LOW WALL FLASHING, 12" END LAPS WITH 2 ROWS OF APPROVED SEALANT AT LAPS

CUT BACK VERTICAL PANEL LEGS AND FIELD FORM PANEL AROUND OFFSET. REFER TO EAVE EXPANSION DETAIL FOR PROPER EXPANSION/CONTRACTION GAP

#10-9 X 1" PANCAKE HEAD WOOD SCREW AT 8" O.C.

OC01 - CONTINUOUS 24 GAUGE OFFSET CLEAT SET IN CONTINUOUS 3/16" X 7/8" BUTYL TAPE SEALANT

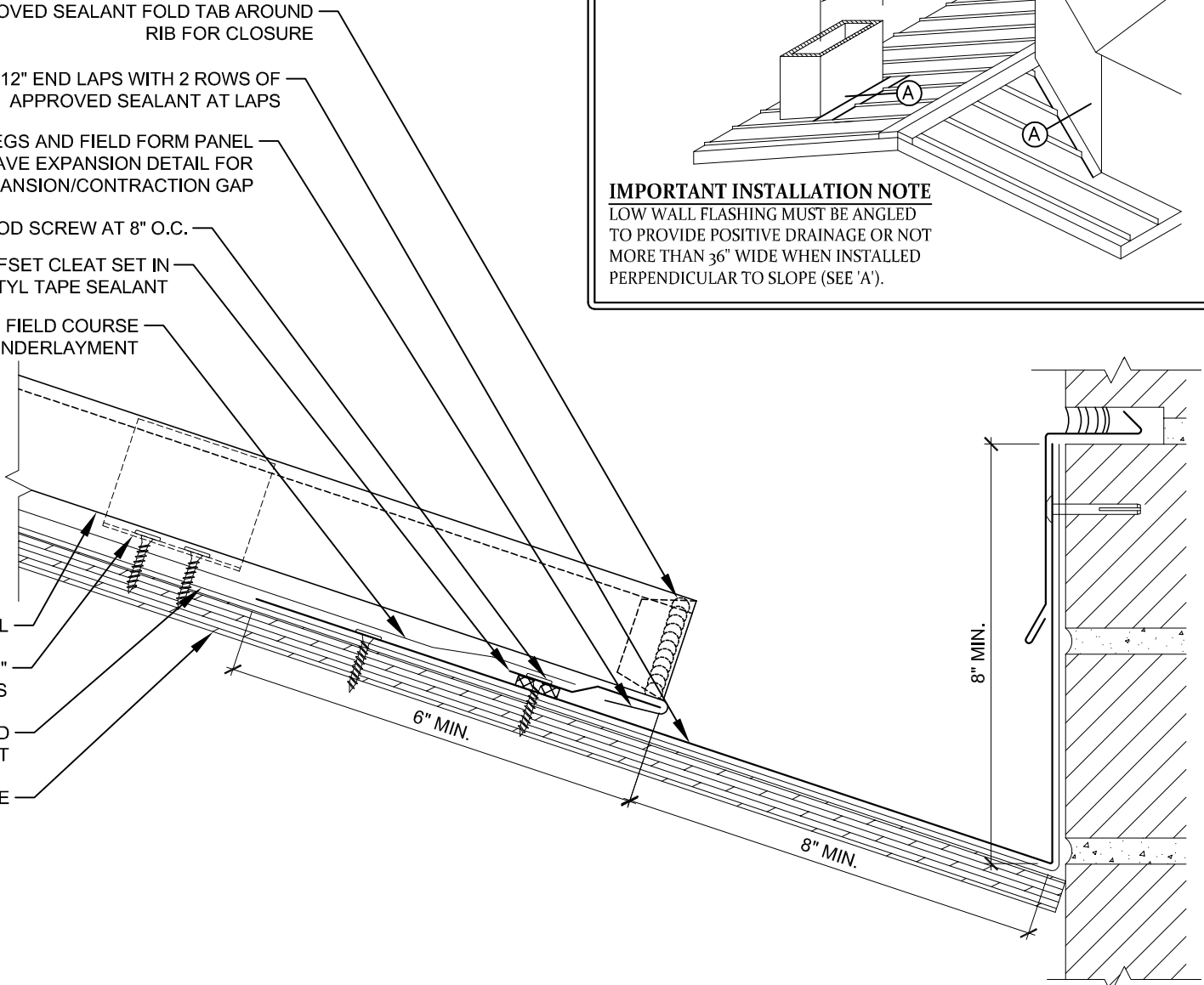
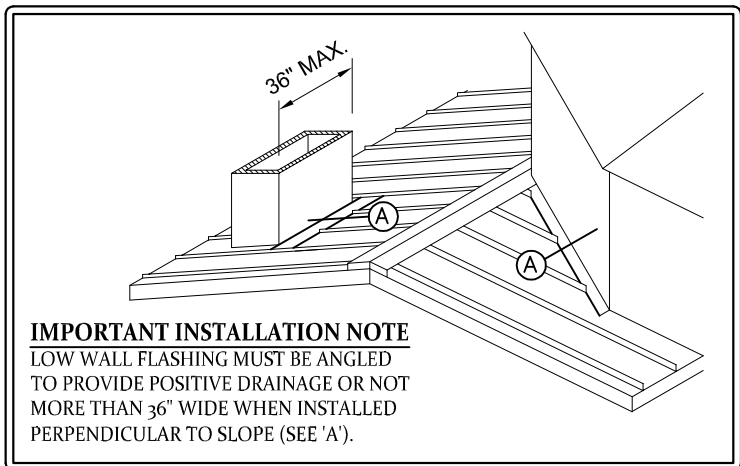
STRIP IN LOW WALL FLASHING WITH FIELD COURSE OF APPROVED UNDERLAYMENT

UNION CORRUGATING CO. ML200 PANEL

ML200 FIXED CLIP WITH (2) #10-9 X 1" PANCAKE HEAD WOOD SCREWS

SINGLE LAYER OF APPROVED UNDERLAYMENT

WOOD SUBSTRATE



Description:	VALLEY WALL DETAIL - FIXED CLIP		Detail No.: ML200-WS-6.30_FX
	Substrate:	WOOD SUBSTRATE	

FILL END OF PANEL RIB W/ APPROVED SEALANT FOLD TAB AROUND RIB FOR CLOSURE

LW01 - LOW WALL FLASHING, 12" END LAPS WITH 2 ROWS OF APPROVED SEALANT AT LAPS

CUT BACK VERTICAL PANEL LEGS AND FIELD FORM PANEL AROUND OFFSET. REFER TO EAVE EXPANSION DETAIL FOR PROPER EXPANSION/CONTRACTION GAP

#10-9 X 1" PANCAKE HEAD WOOD SCREW AT 8" O.C.

OC01 - CONTINUOUS 24 GAUGE OFFSET CLEAT SET IN CONTINUOUS 3/16" X 7/8" BUTYL TAPE SEALANT

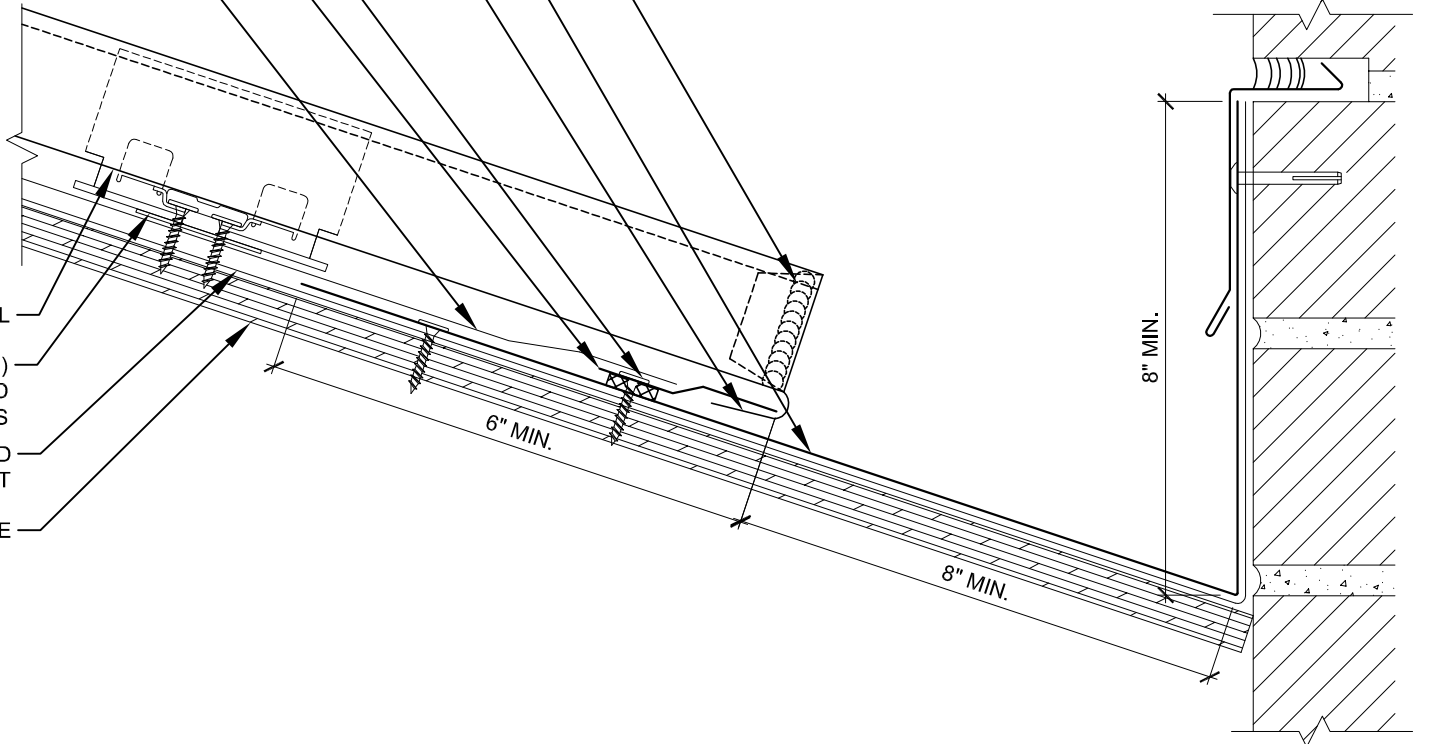
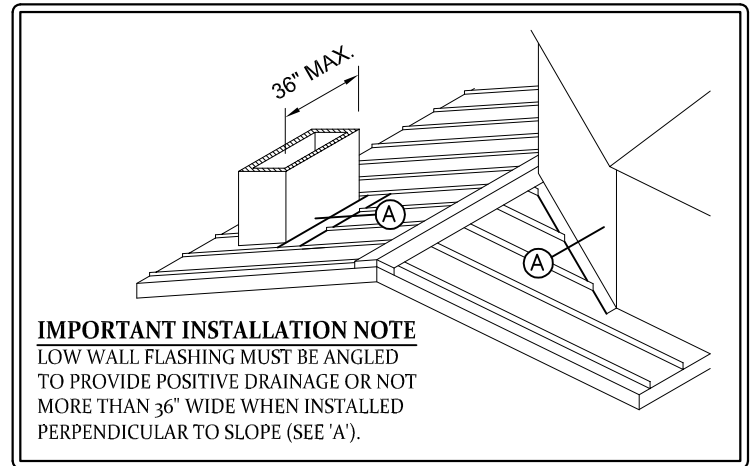
STRIP IN LOW WALL FLASHING WITH FIELD COURSE OF APPROVED UNDERLAYMENT

UNION CORRUGATING CO. ML200 PANEL

ML200 LOW EXPANSION CLIP WITH (2) #10-9 X 1" PANCAKE HEAD WOOD SCREWS

SINGLE LAYER OF APPROVED UNDERLAYMENT

WOOD SUBSTRATE



Description:

VALLEY WALL DETAIL - EXPANSION CLIP

Detail No.:

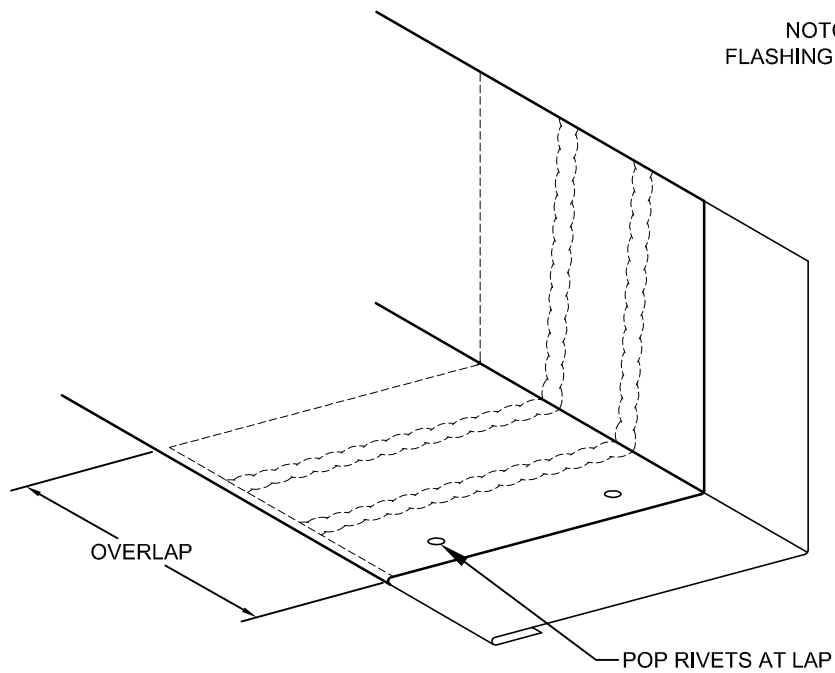
ML200-WS-6.30_EX

Substrate:

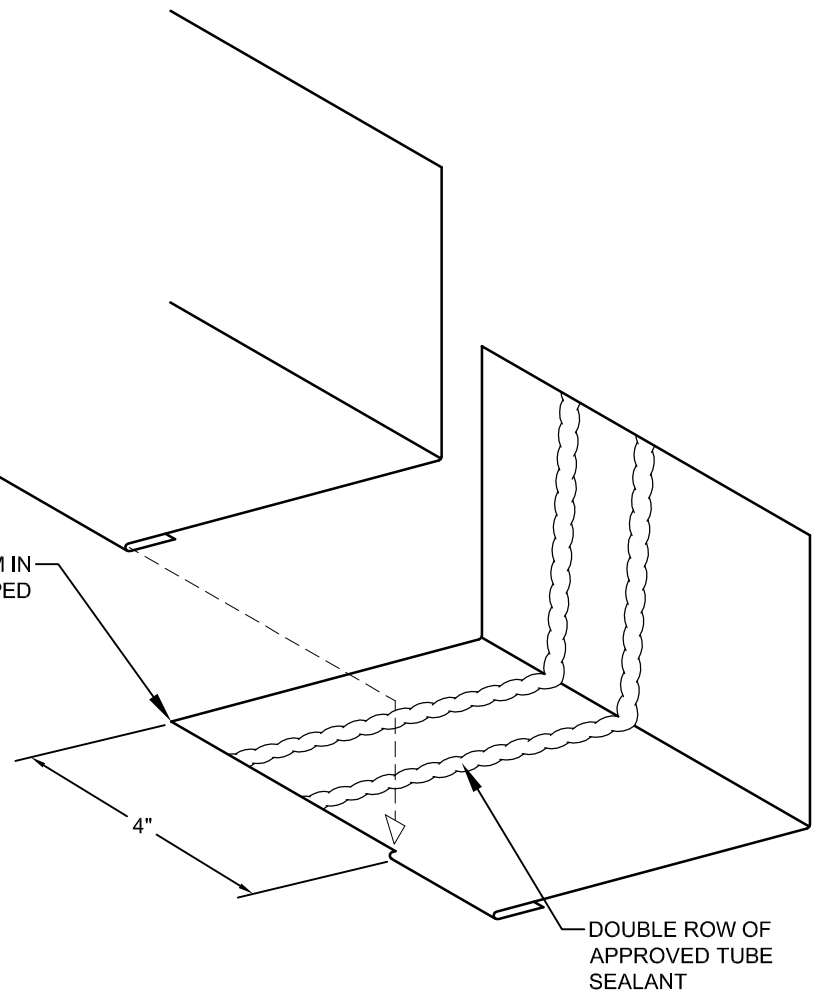
WOOD SUBSTRATE

Project Name:

Location:



NOTCH OUT HEM IN FLASHING TO BE LAPPED



Description:

HIGHWALL LAP DETAIL

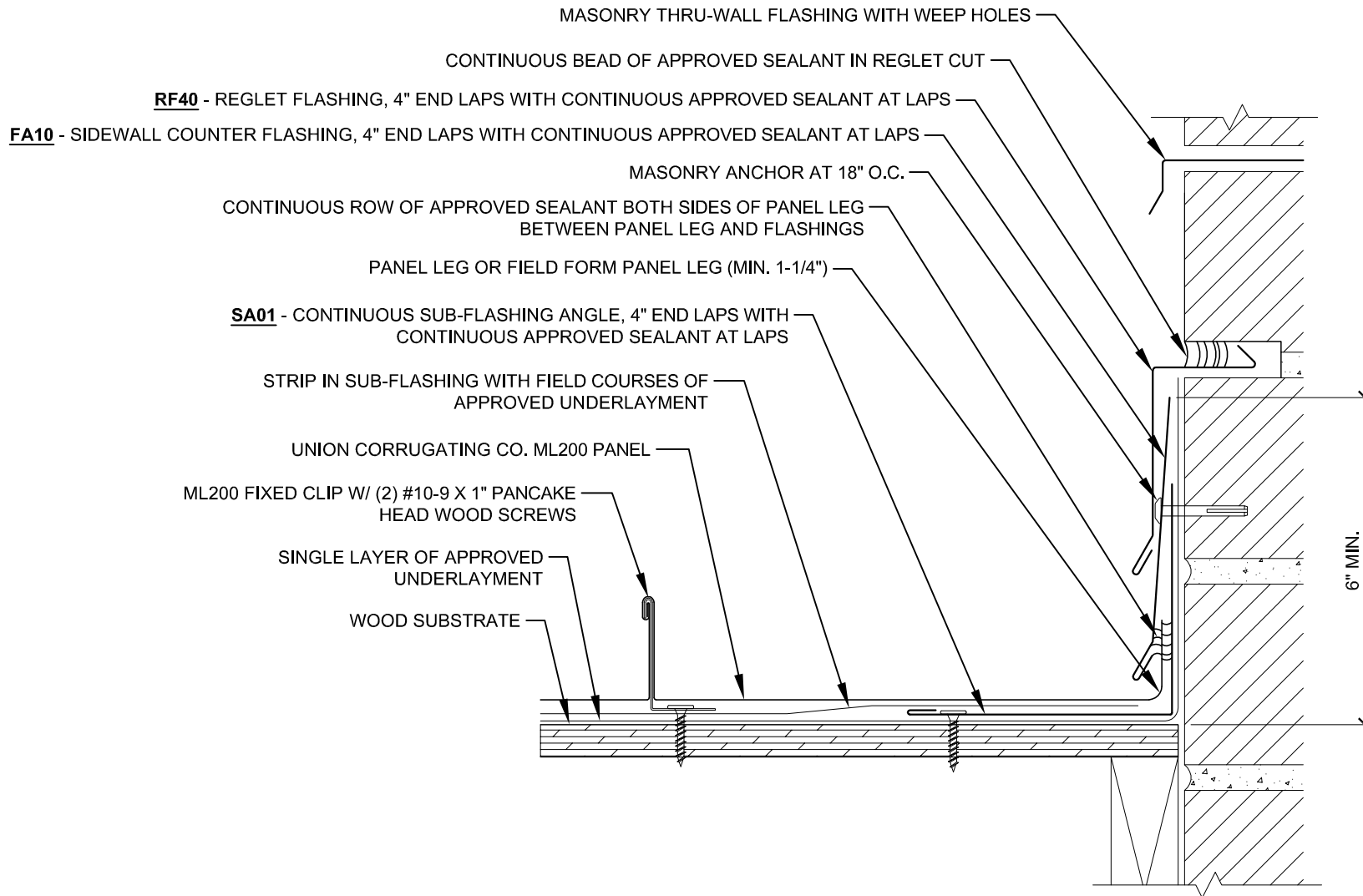
Detail No.:

ML200-6.90

Substrate:

Project Name:

Location:



Description:

SIDEWALL DETAIL - REGLET - FIXED CLIP

Detail No.:

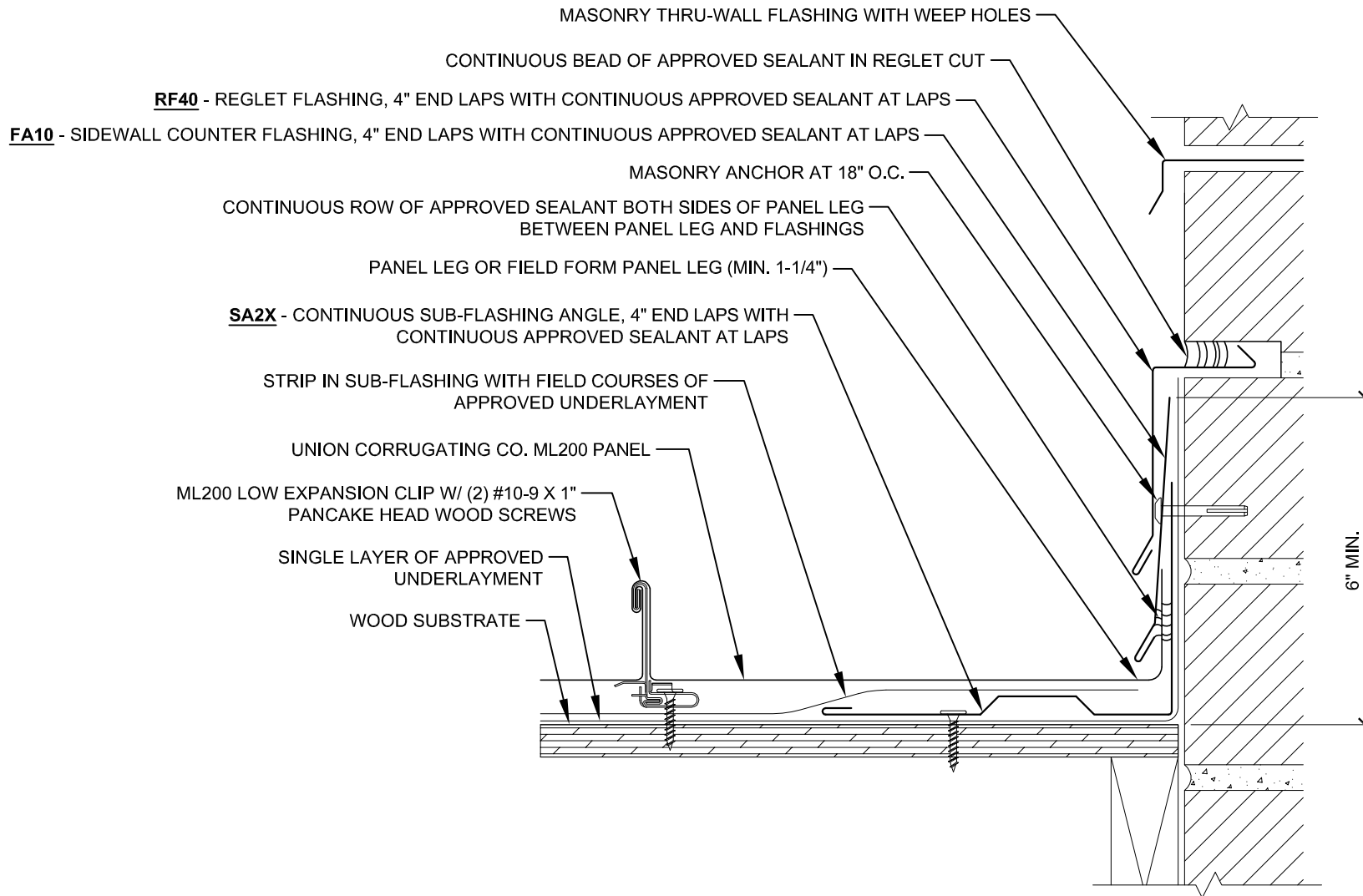
ML200-WS-7.11_FX

Substrate:

WOOD SUBSTRATE

Project Name:

Location:

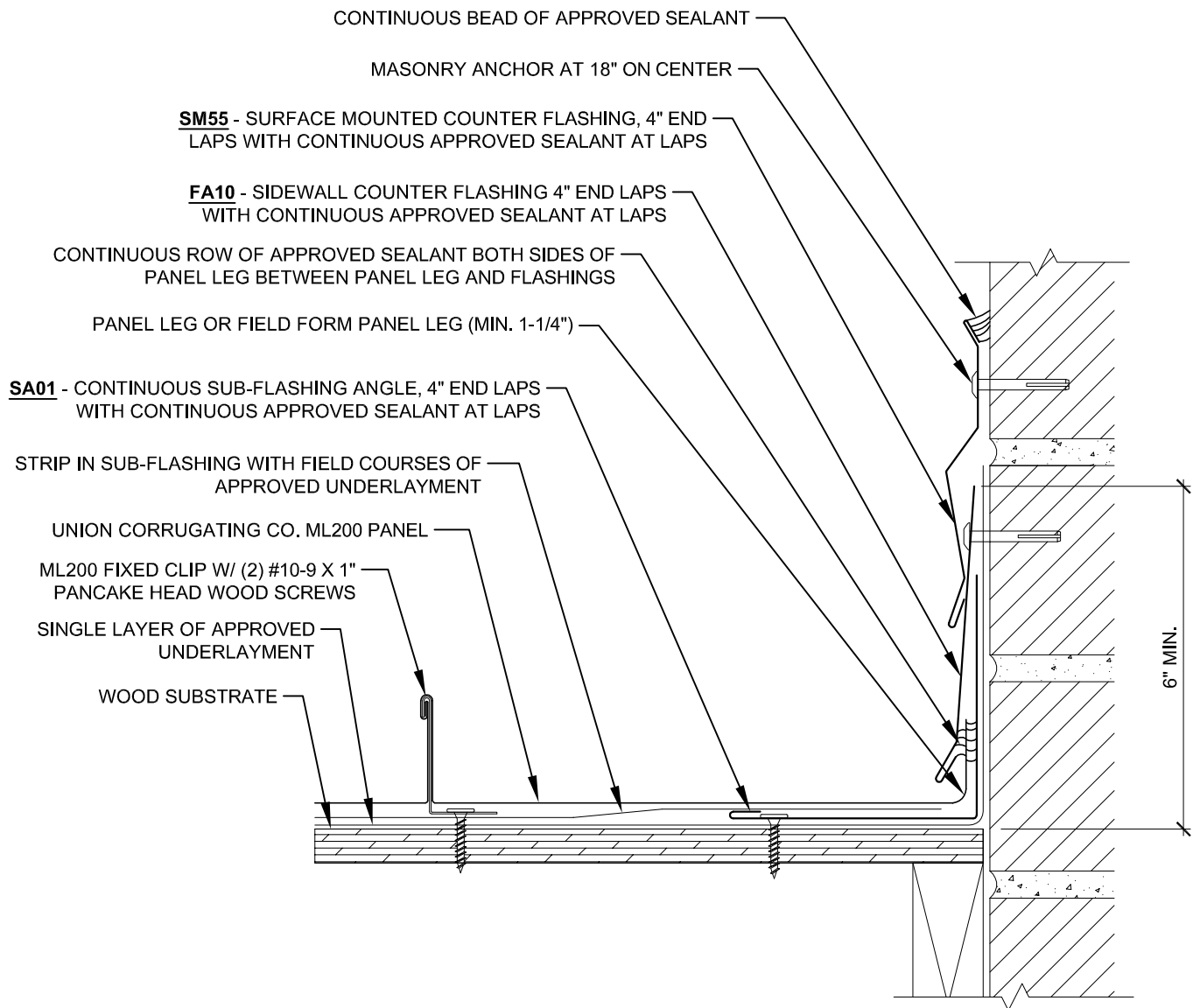


Description: **SIDEWALL DETAIL - REGLET - EXPANSION CLIP**

Detail No.: **ML200-WS-7.11_EX**

Substrate: **WOOD SUBSTRATE**

Project Name:
Location:

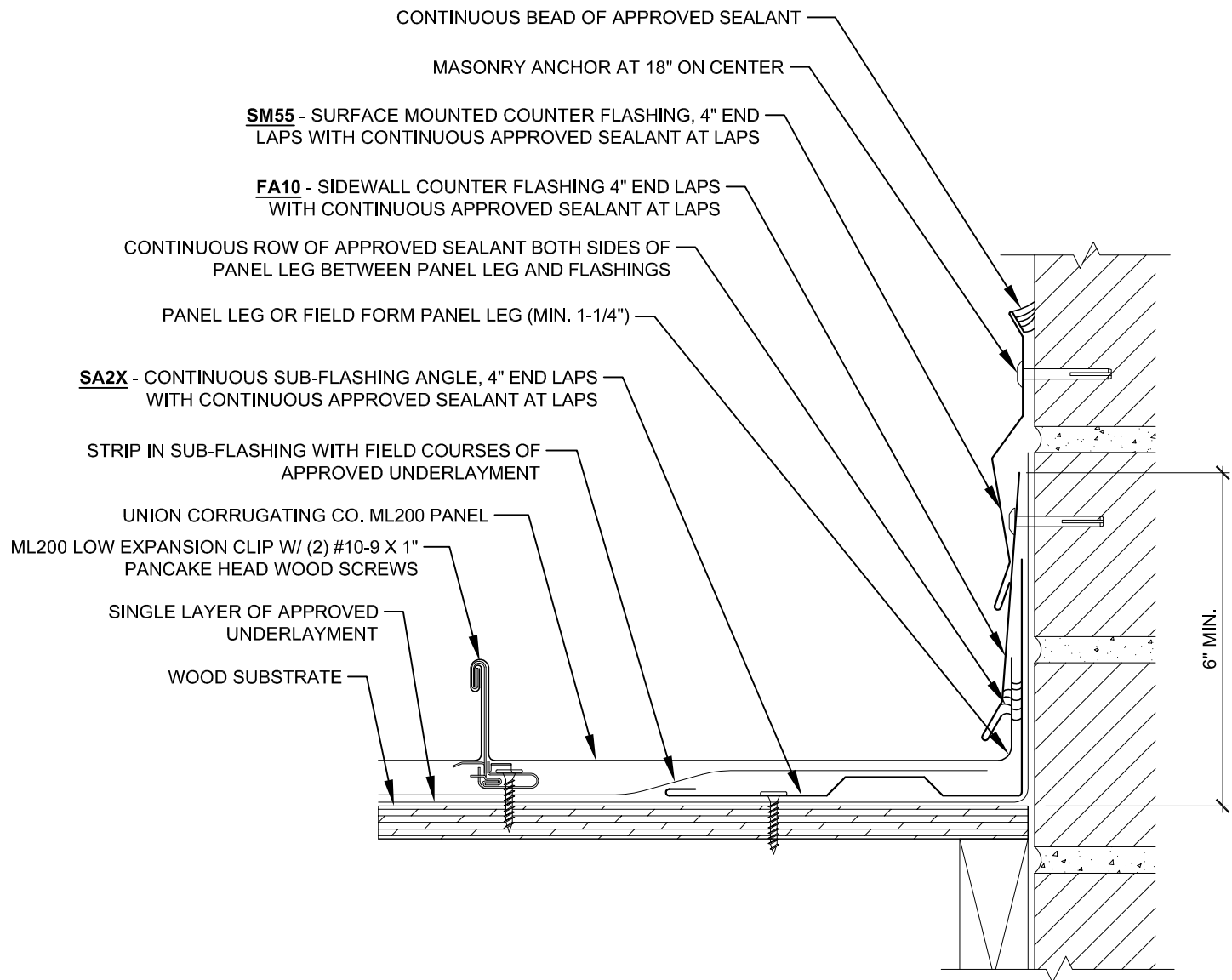


Description: **SIDEWALL DETAIL - SURFACE MOUNT - FIXED CLIP**

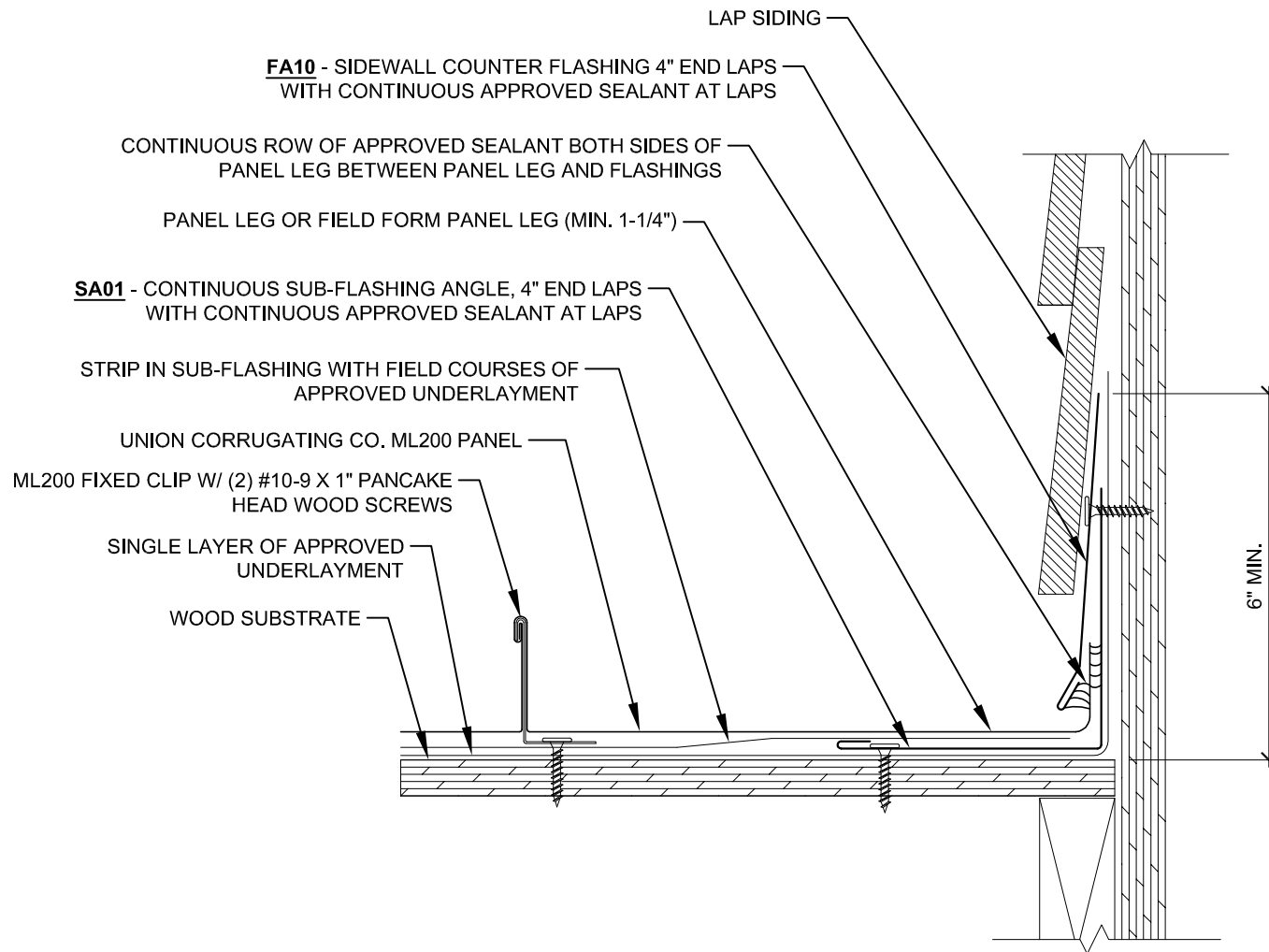
Detail No.: **ML200-WS-7.12_FX**

Substrate: **WOOD SUBSTRATE**

Project Name:
Location:



Description: SIDEWALL DETAIL - SURFACE MOUNT - EXPANSION CLIP Substrate: WOOD SUBSTRATE	Detail No.: ML200-WS-7.12_EX
	Project Name: Location:



Description:

SIDEWALL DETAIL - W/ SIDING - FIXED CLIP

Detail No.:

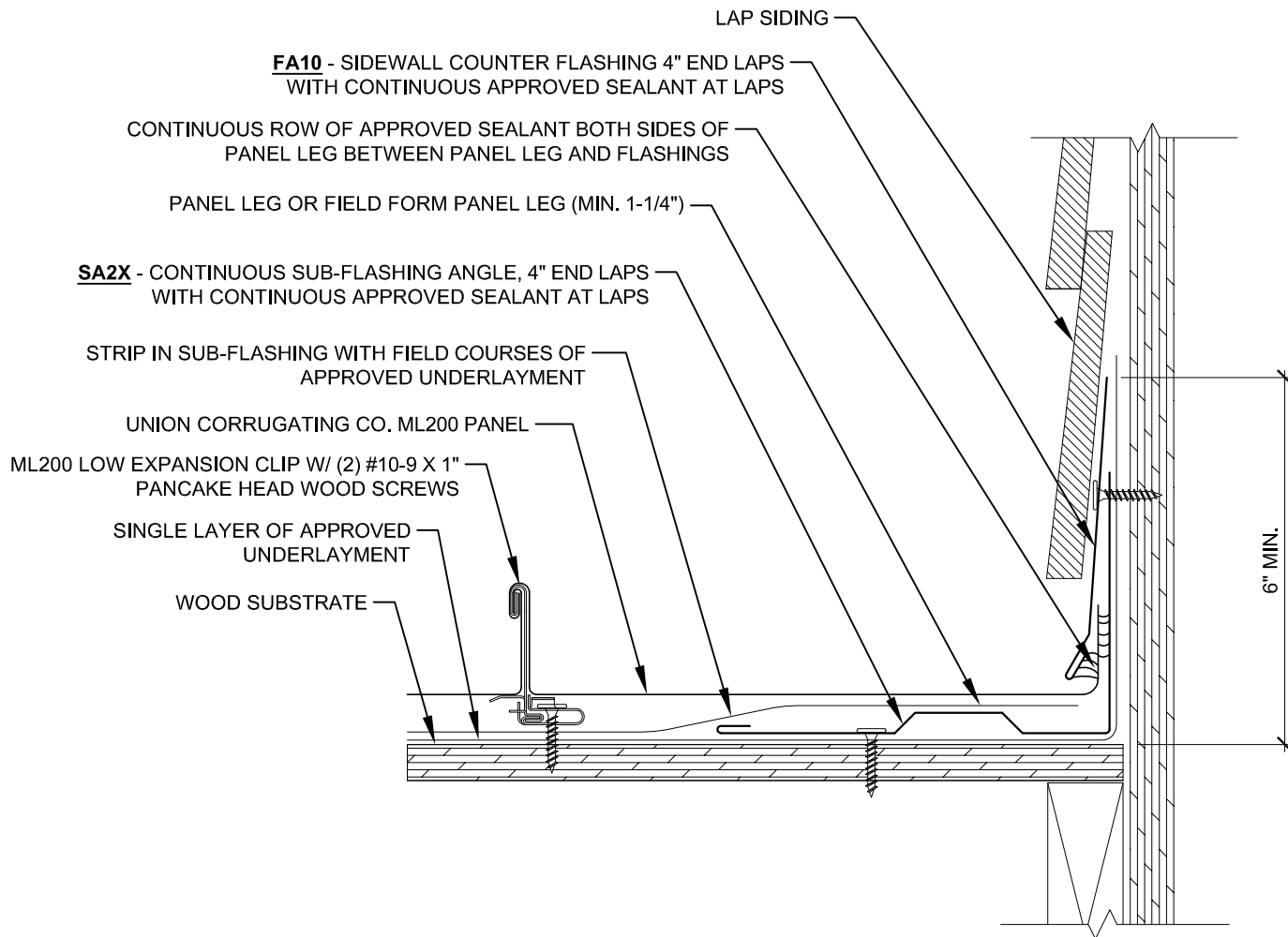
ML200-WS-7.13_FX

Substrate:

WOOD SUBSTRATE

Project Name:

Location:

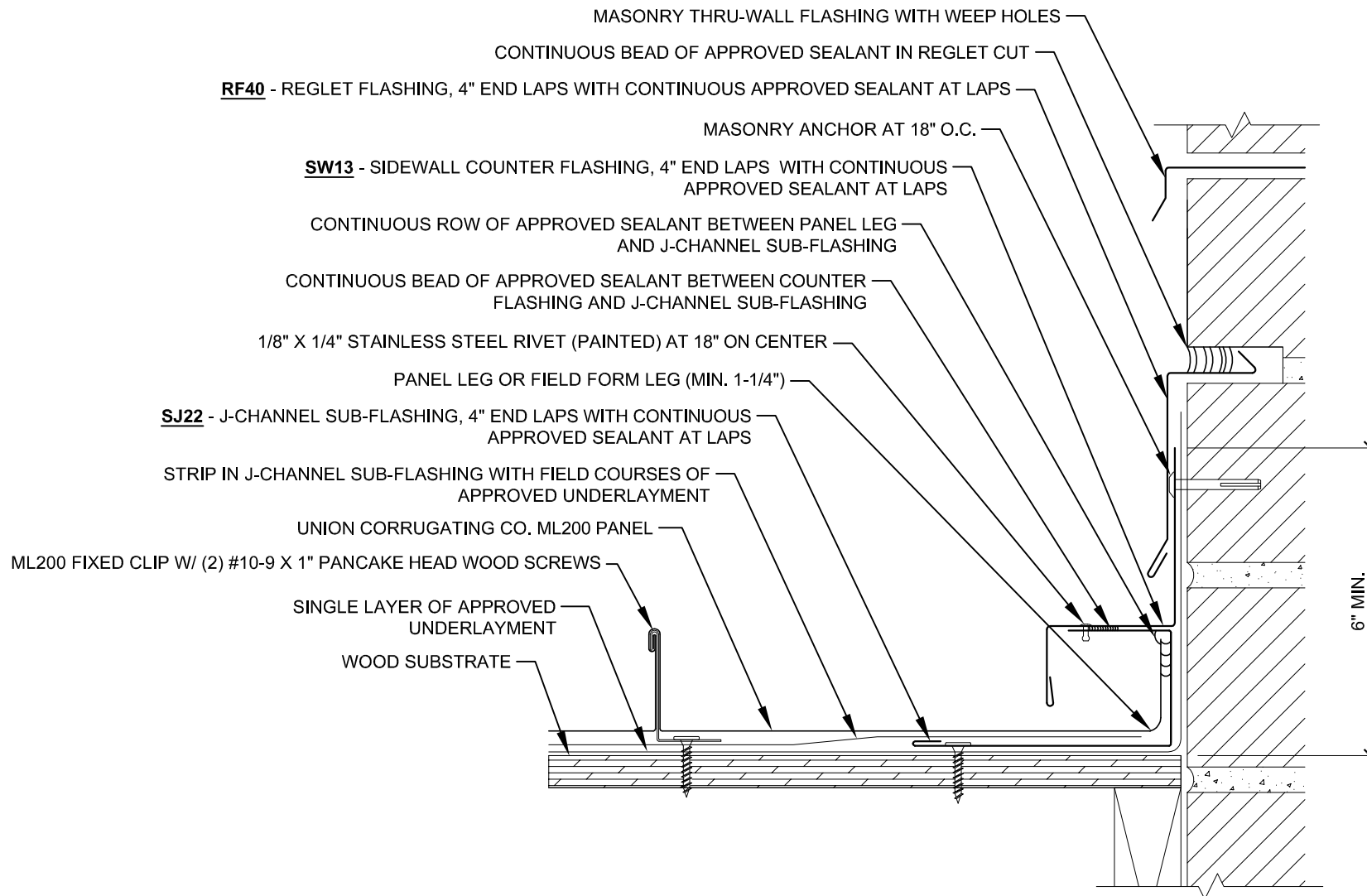


Description: **SIDEWALL DETAIL - W/ SIDING - EXPANSION CLIP**

Detail No.: **ML200-WS-7.13_EX**

Substrate: **WOOD SUBSTRATE**

Project Name:
Location:



Description:

SIDEWALL DETAIL - REGLET - FIXED CLIP

Detail No.:

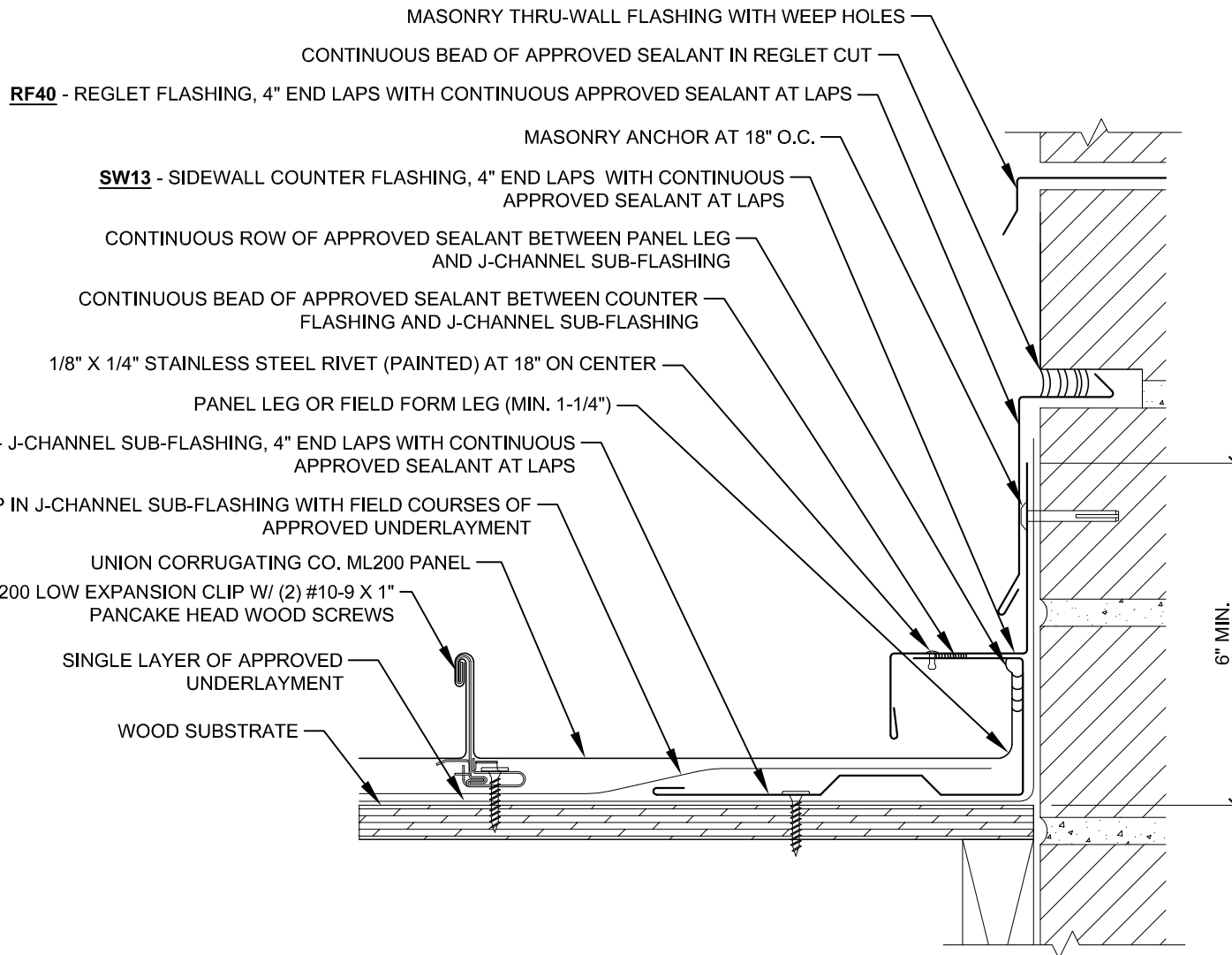
ML200-WS-7.21_FX

Substrate:

WOOD SUBSTRATE

Project Name:

Location:

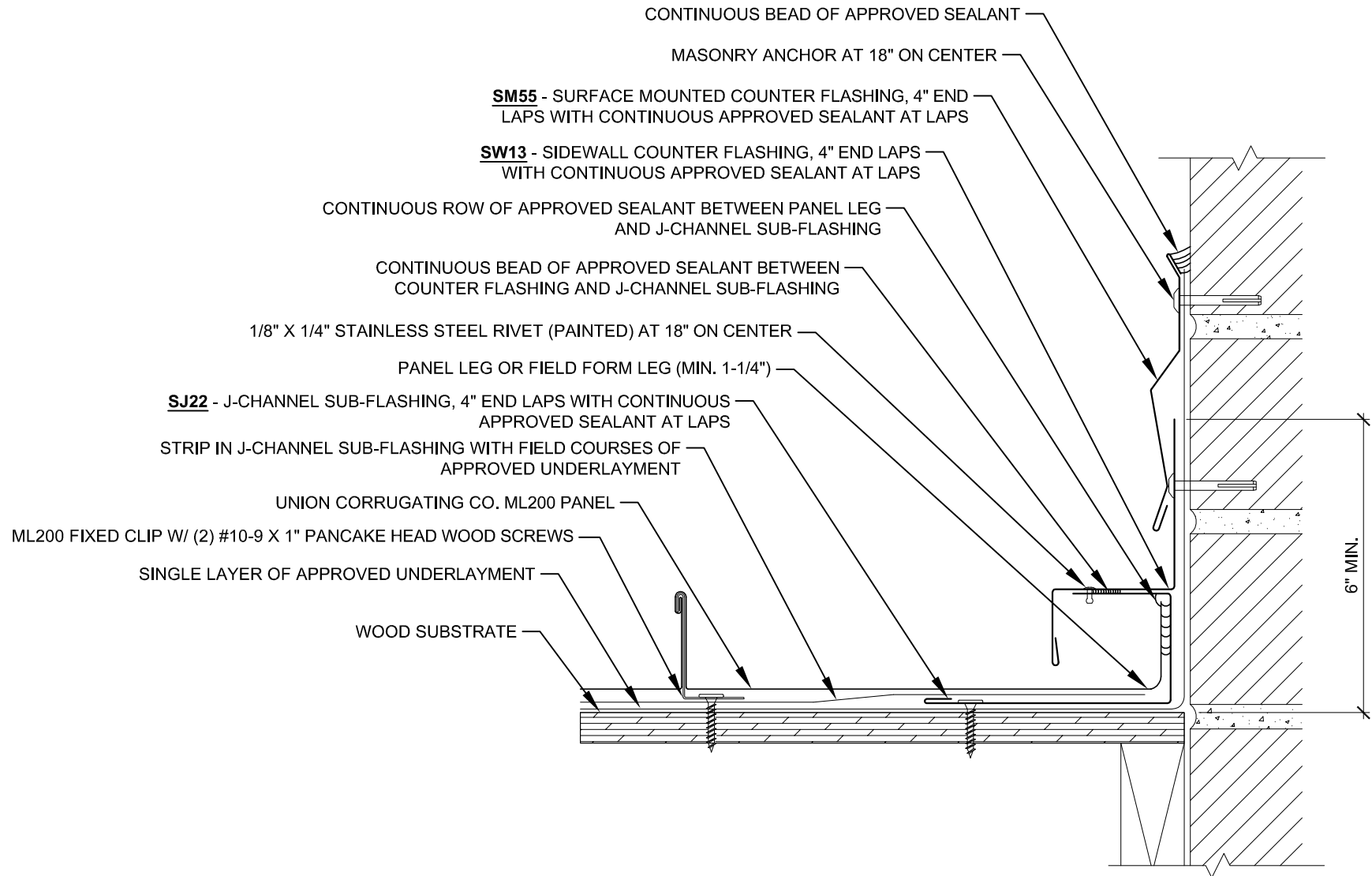


Description: **SIDEWALL DETAIL - REGLET - EXPANSION CLIP**

Detail No.: **ML200-WS-7.21_EX**

Substrate: **WOOD SUBSTRATE**

Project Name:
Location:

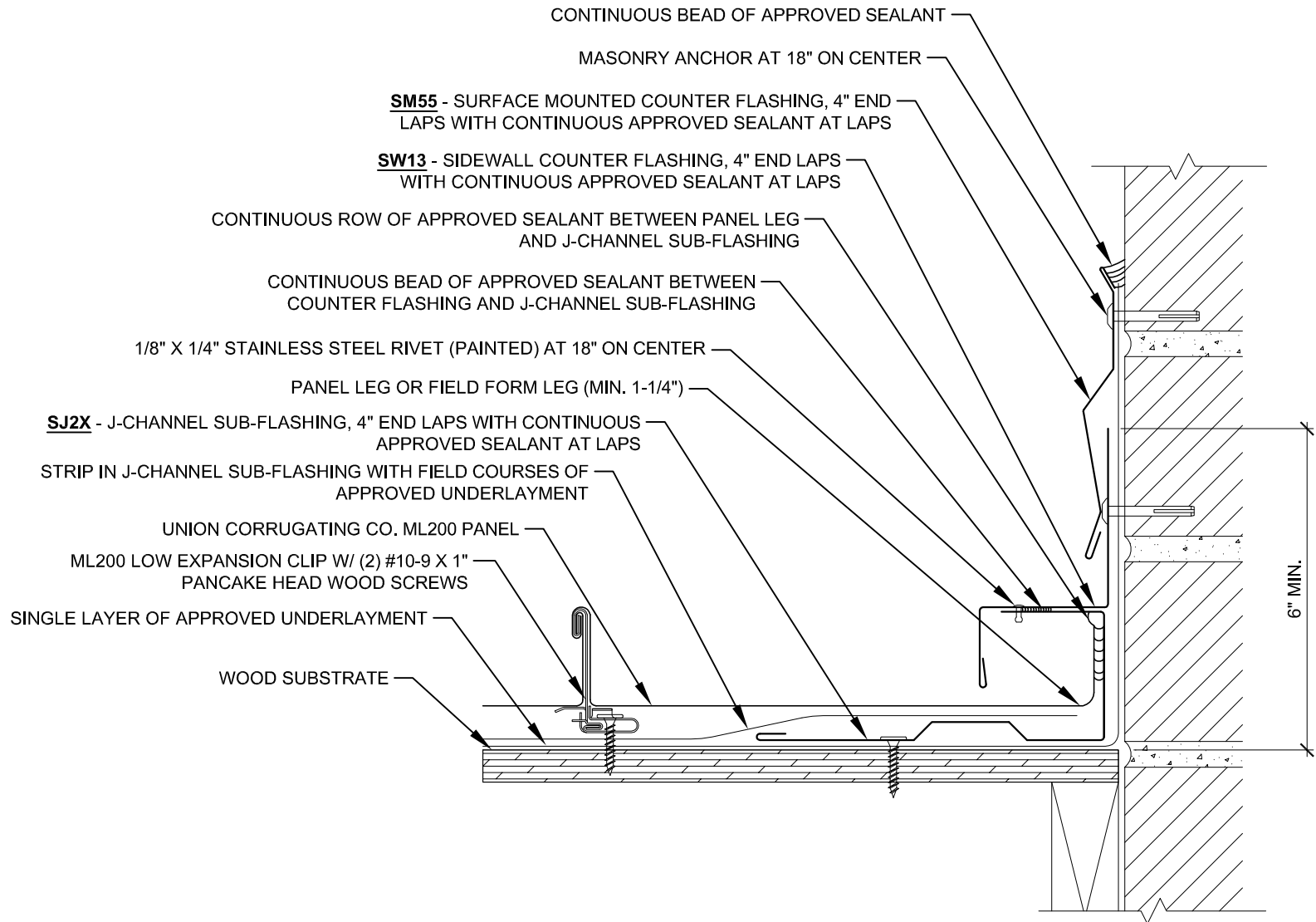


Description: **SIDEWALL DETAIL - SURFACE MOUNT - FIXED CLIP**

Detail No.: **ML200-WS-7.22_FX**

Substrate: **WOOD SUBSTRATE**

Project Name:
Location:

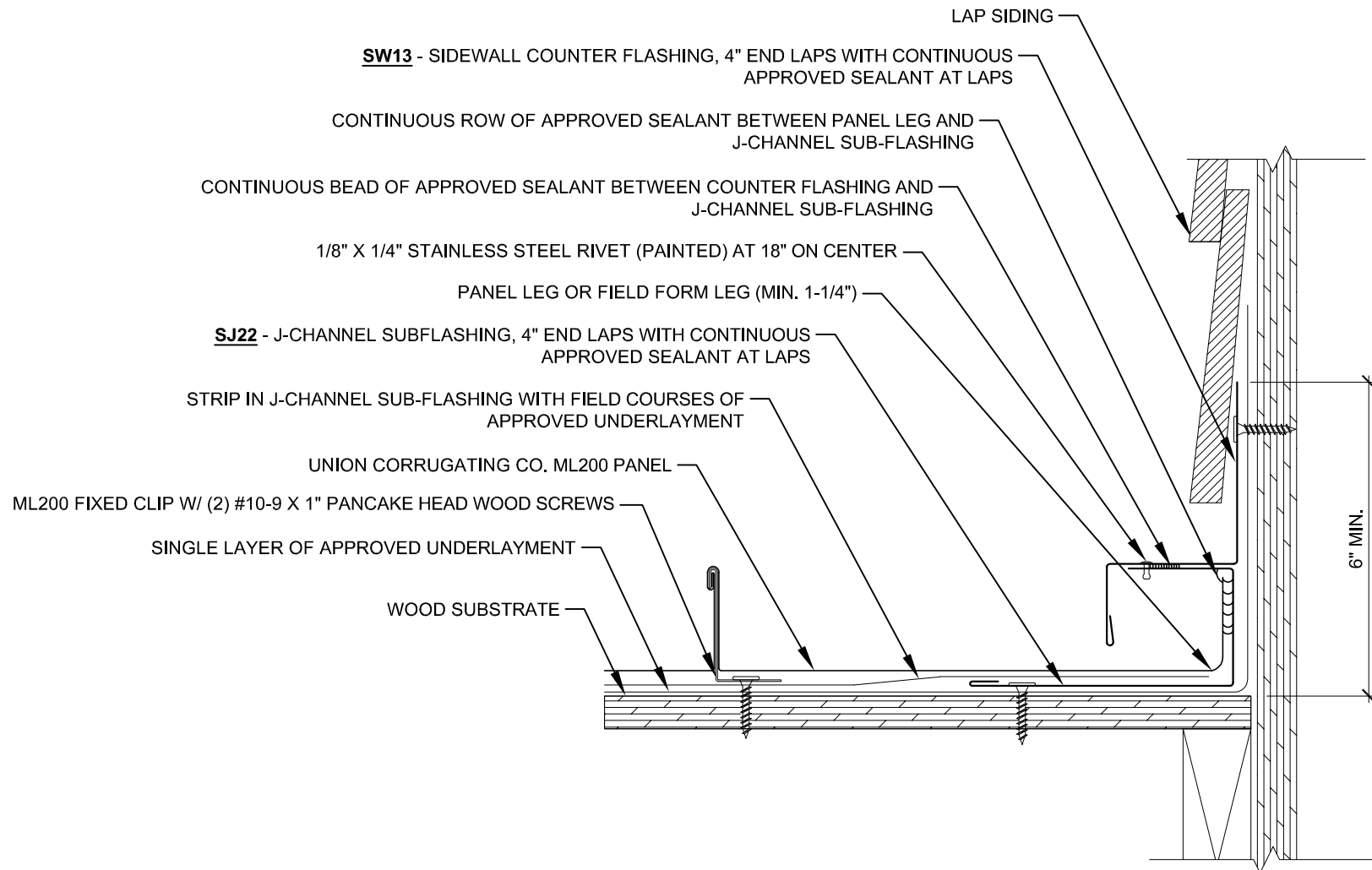


Description: **SIDEWALL DETAIL - SURFACE MOUNT - EXPANSION CLIP**

Detail No.: **ML200-WS-7.22_EX**

Substrate: **WOOD SUBSTRATE**

Project Name:
Location:

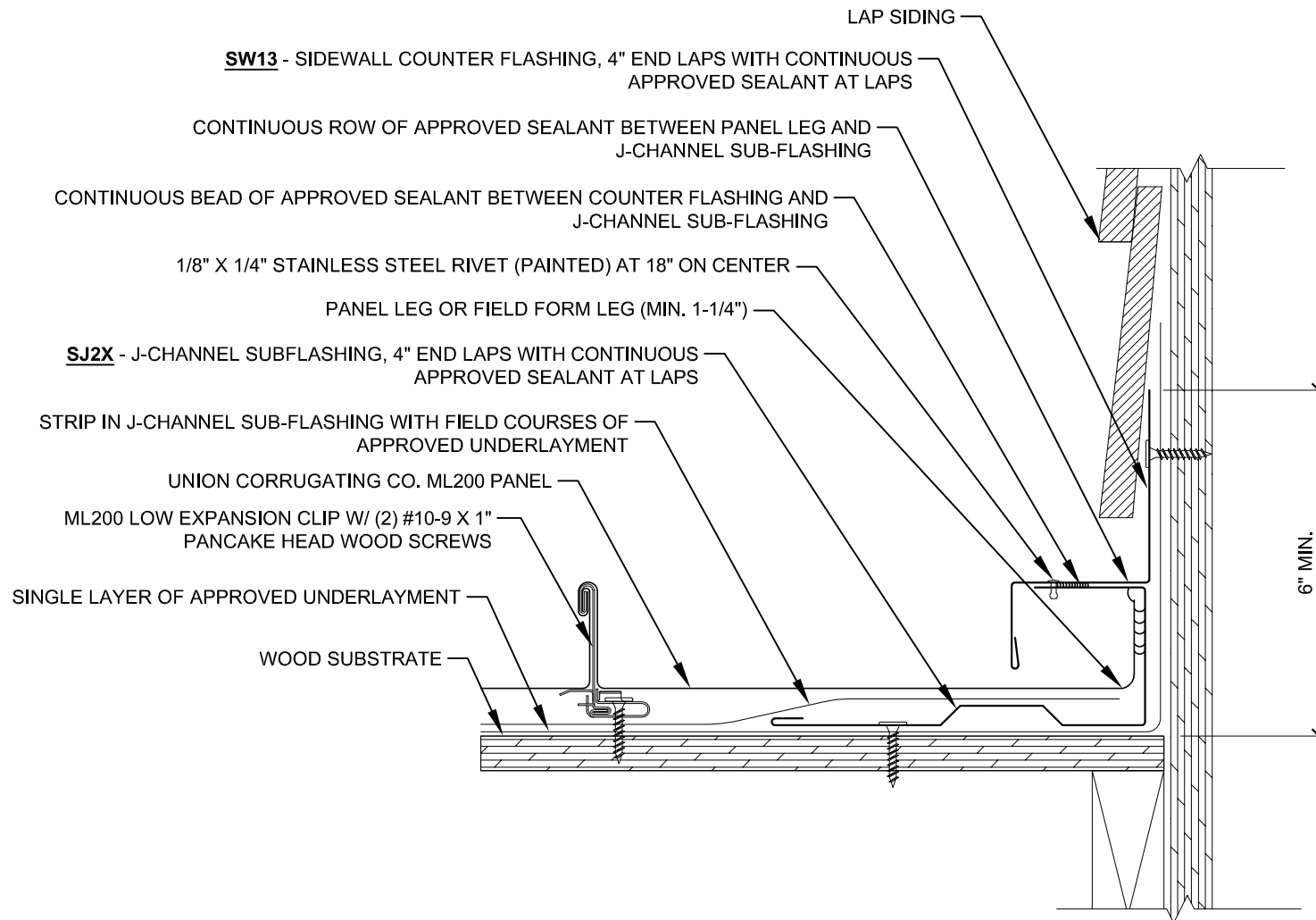


Description: **SIDEWALL DETAIL - W/ SIDING - FIXED CLIP**

Detail No.: **ML200-WS-7.23_FX**

Substrate: **WOOD SUBSTRATE**

Project Name:
Location:

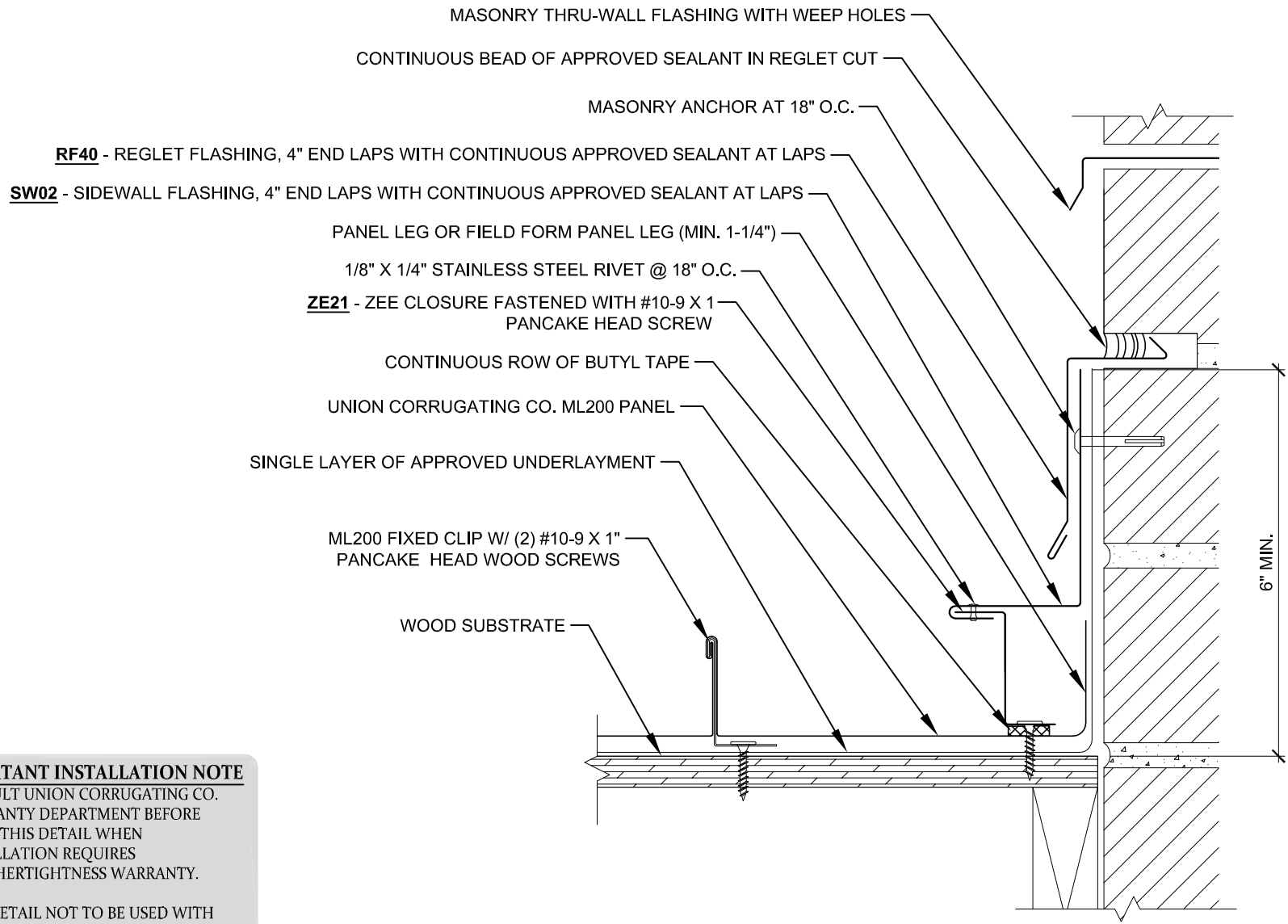


Description: **SIDEWALL DETAIL - W/ SIDING - EXPANSION CLIP**

Detail No.: **ML200-WS-7.23_EX**

Substrate: **WOOD SUBSTRATE**

Project Name:
Location:



RF40 - REGLET FLASHING, 4" END LAPS WITH CONTINUOUS APPROVED SEALANT AT LAPS
SW02 - SIDEWALL FLASHING, 4" END LAPS WITH CONTINUOUS APPROVED SEALANT AT LAPS

IMPORTANT INSTALLATION NOTE

- CONSULT UNION CORRUGATING CO. WARRANTY DEPARTMENT BEFORE USING THIS DETAIL WHEN INSTALLATION REQUIRES WEATHERTIGHTNESS WARRANTY.
- THIS DETAIL NOT TO BE USED WITH PANEL LENGTHS GREATER THAN 30'-0".

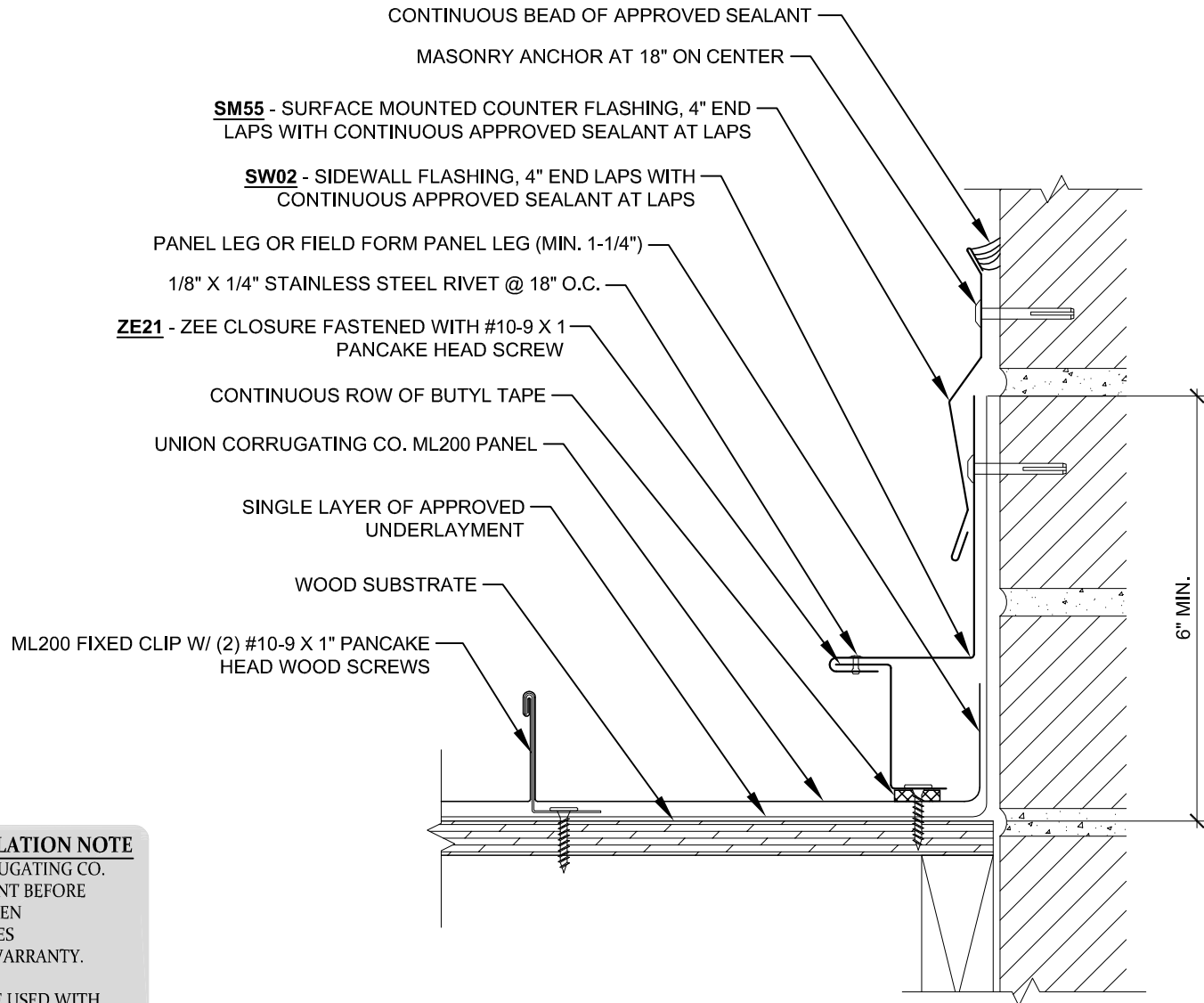


Description: **SIDEWALL W/ ZEE DETAIL - REGLET - FIXED CLIP**

Detail No.: **ML200-WS-7.31_FX**

Substrate: **WOOD SUBSTRATE**

Project Name:
Location:



IMPORTANT INSTALLATION NOTE

- CONSULT UNION CORRUGATING CO. WARRANTY DEPARTMENT BEFORE USING THIS DETAIL WHEN INSTALLATION REQUIRES WEATHERTIGHTNESS WARRANTY.
- THIS DETAIL NOT TO BE USED WITH PANEL LENGTHS GREATER THAN 30'-0".

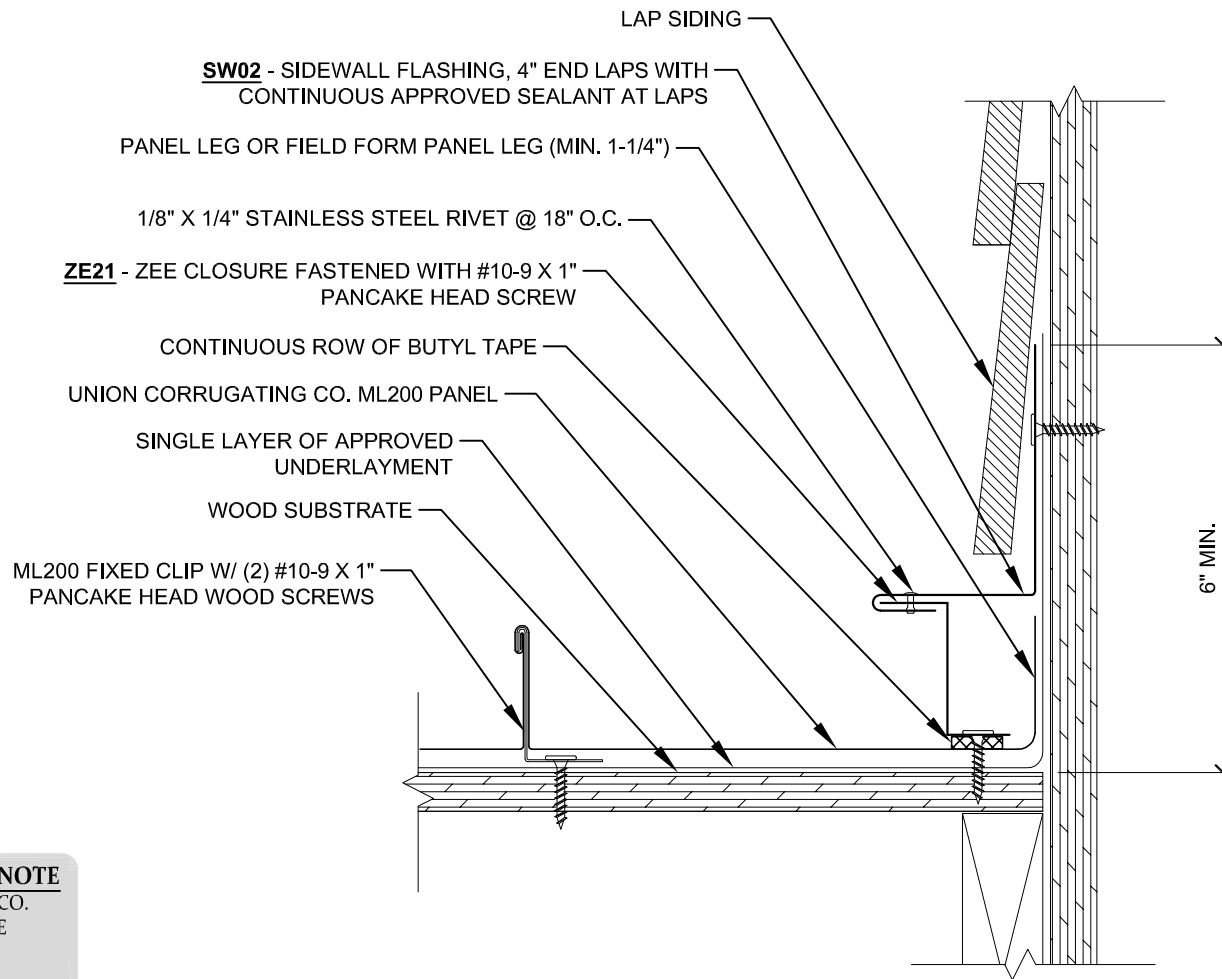


Description: **SIDEWALL W/ ZEE DETAIL - SURFACE MOUNT - FIXED CLIP**

Detail No.: **ML200-WS-7.32_FX**

Substrate: **WOOD SUBSTRATE**

Project Name:
Location:



IMPORTANT INSTALLATION NOTE

- CONSULT UNION CORRUGATING CO. WARRANTY DEPARTMENT BEFORE USING THIS DETAIL WHEN INSTALLATION REQUIRES WEATHERTIGHTNESS WARRANTY.
- THIS DETAIL NOT TO BE USED WITH PANEL LENGTHS GREATER THAN 30'-0".



Description:

SIDEWALL W/ ZEE - W/ SIDING - FIXED CLIP

Detail No.:

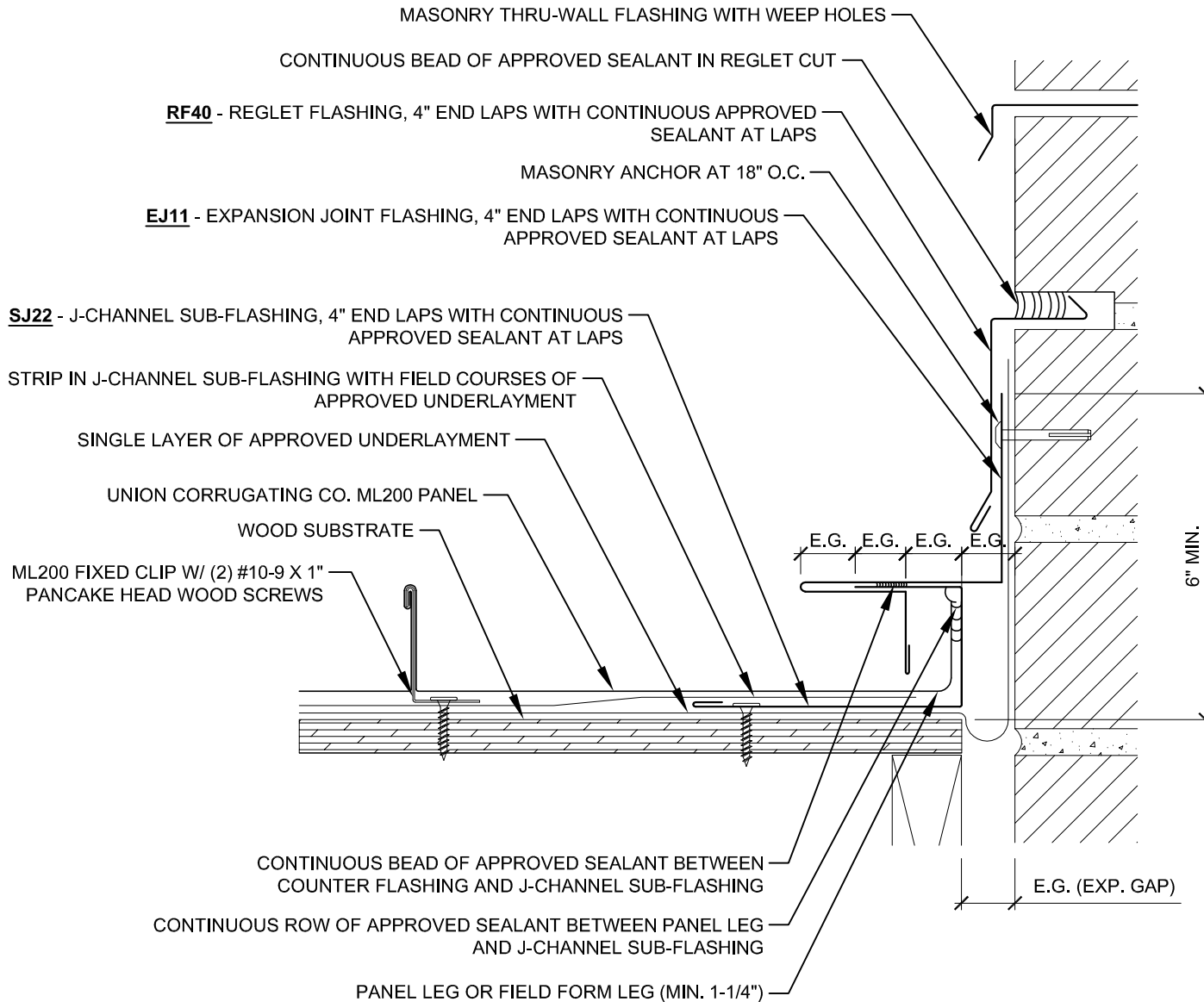
ML200-WS-7.33_FX

Substrate:

WOOD SUBSTRATE

Project Name:

Location:

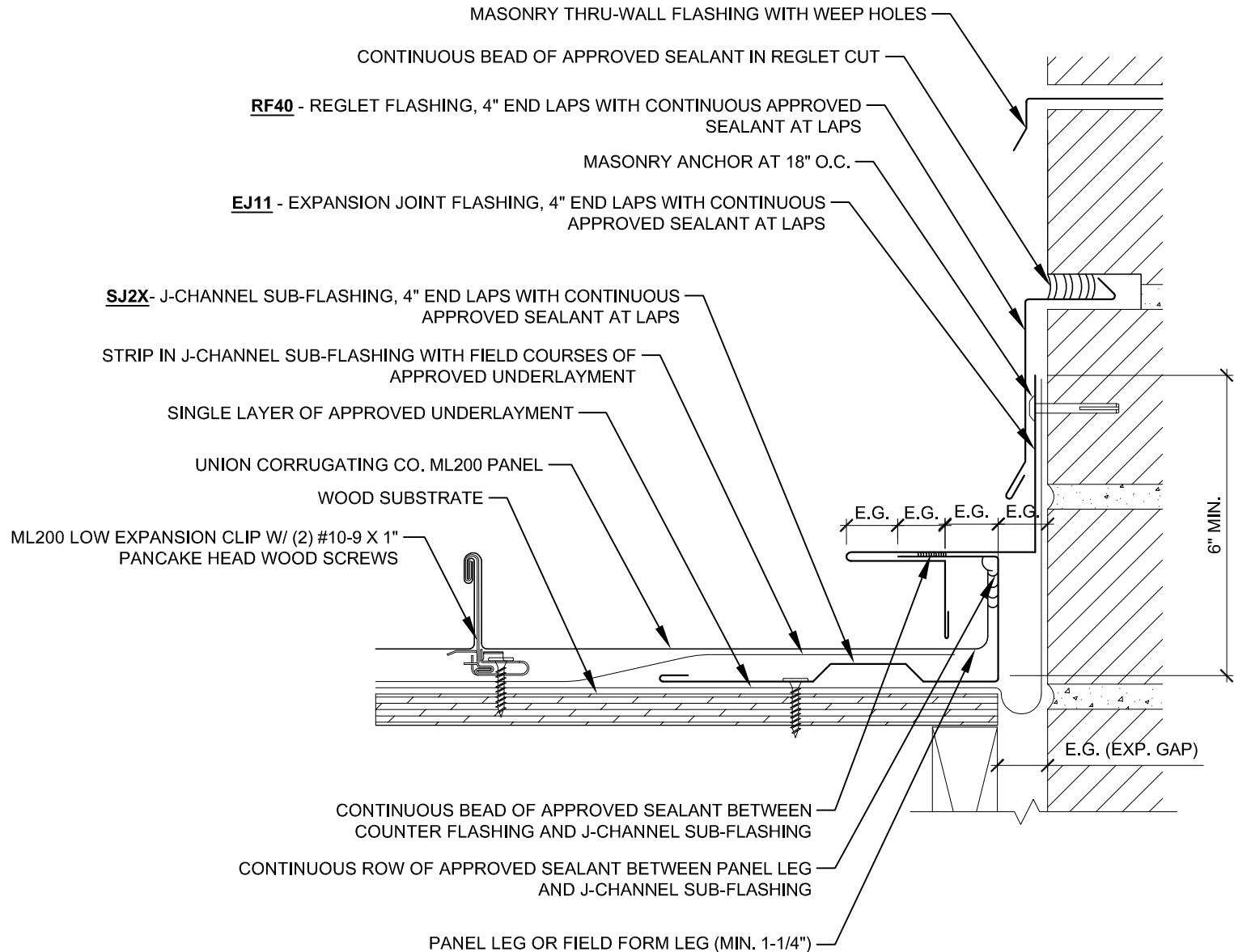


Description: **SIDEWALL EXPANSION JOINT DETAIL - FIXED CLIP**

Detail No.: **ML200-WS-7.40_FX**

Substrate: **WOOD SUBSTRATE**

Project Name:
Location:

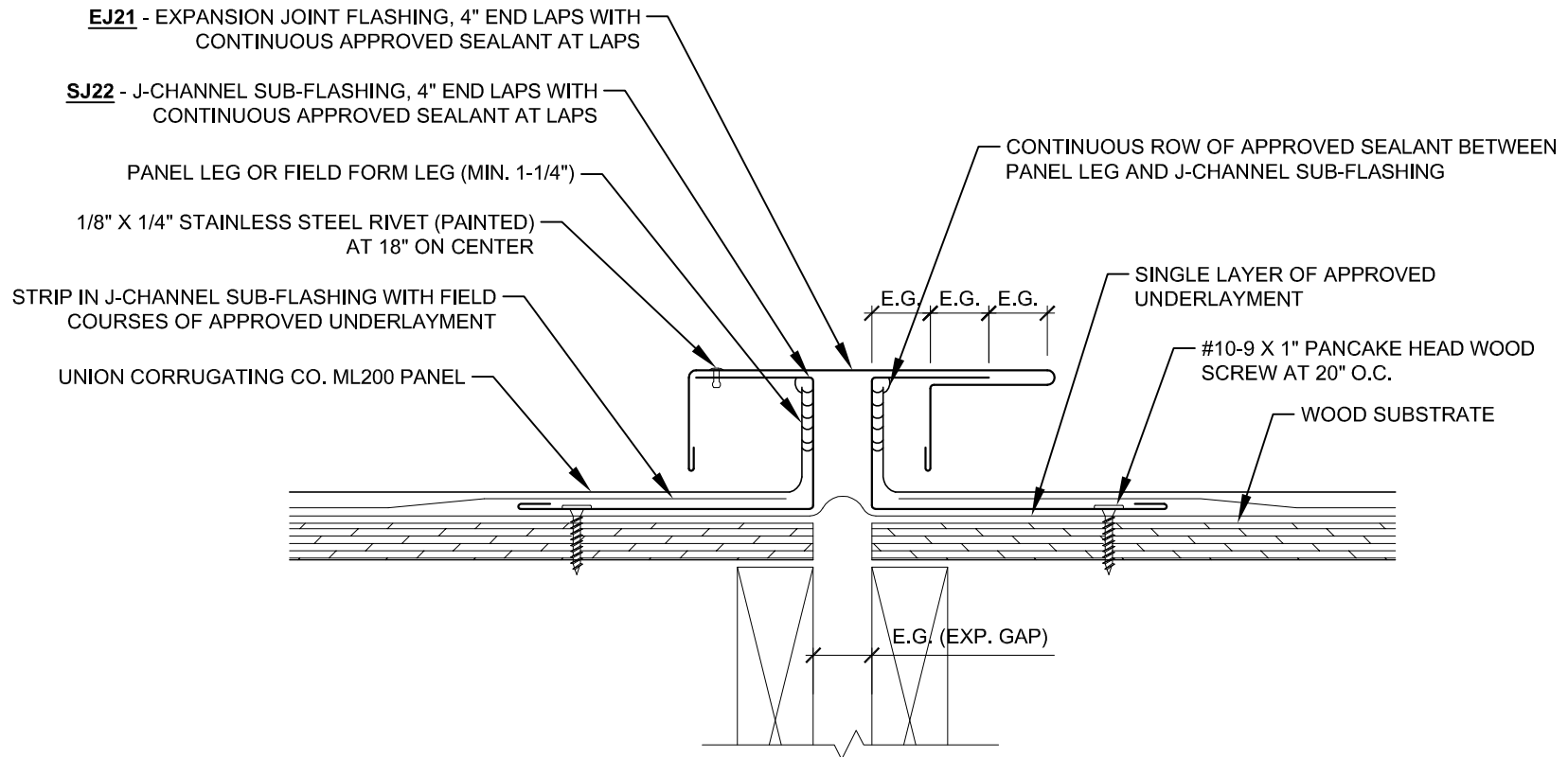


Description: **SIDEWALL EXPANSION JOINT DETAIL - EXPANSION CLIP**

Detail No.: **ML200-WS-7.40_EX**

Substrate: **WOOD SUBSTRATE**

Project Name:
Location:

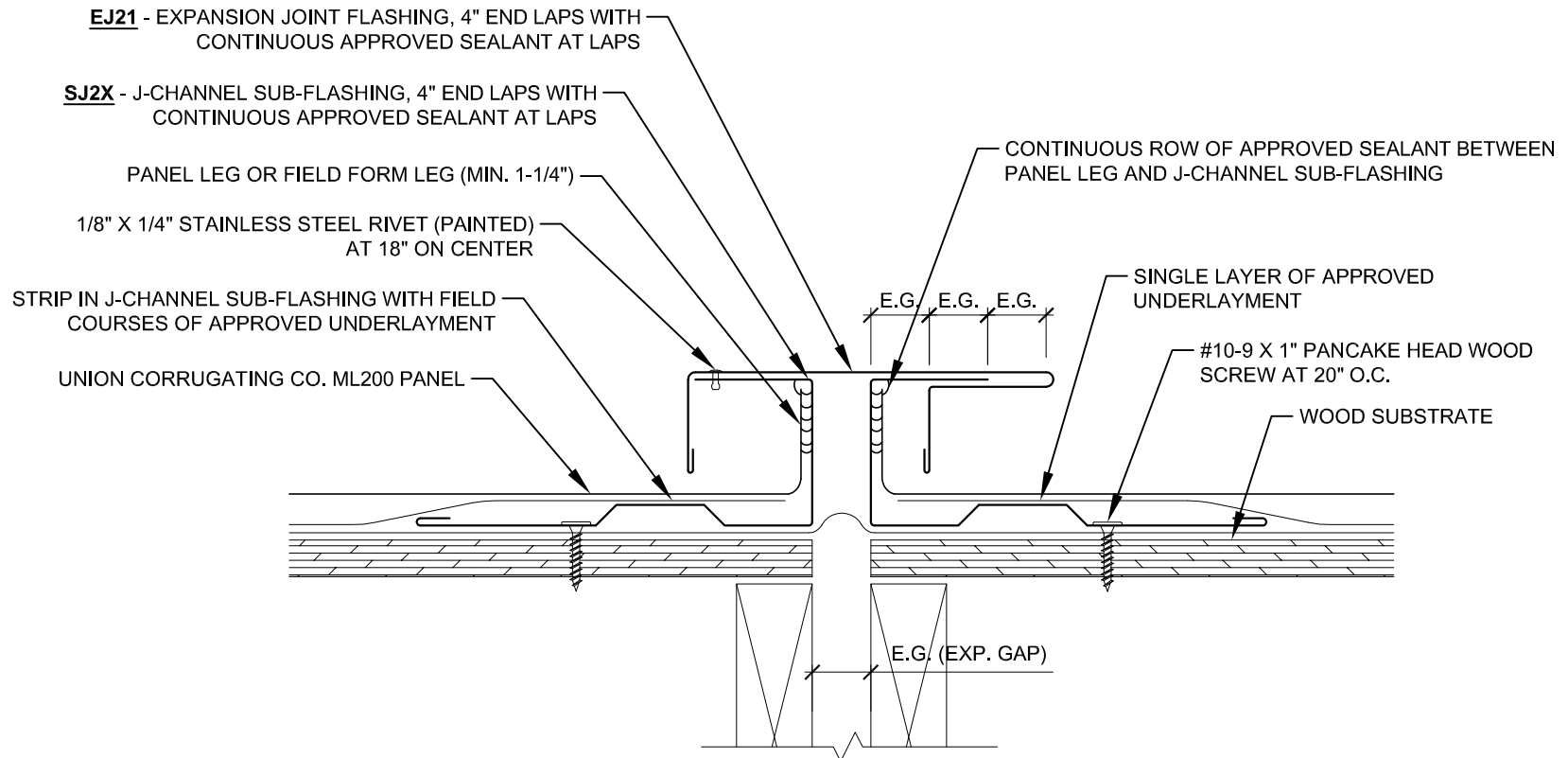


Description: **EXPANSION JOINT (MID-ROOF) - FIXED CLIP**

Substrate: **WOOD SUBSTRATE**

Detail No.: **ML200-WS-7.50_FX**

Project Name:
Location:

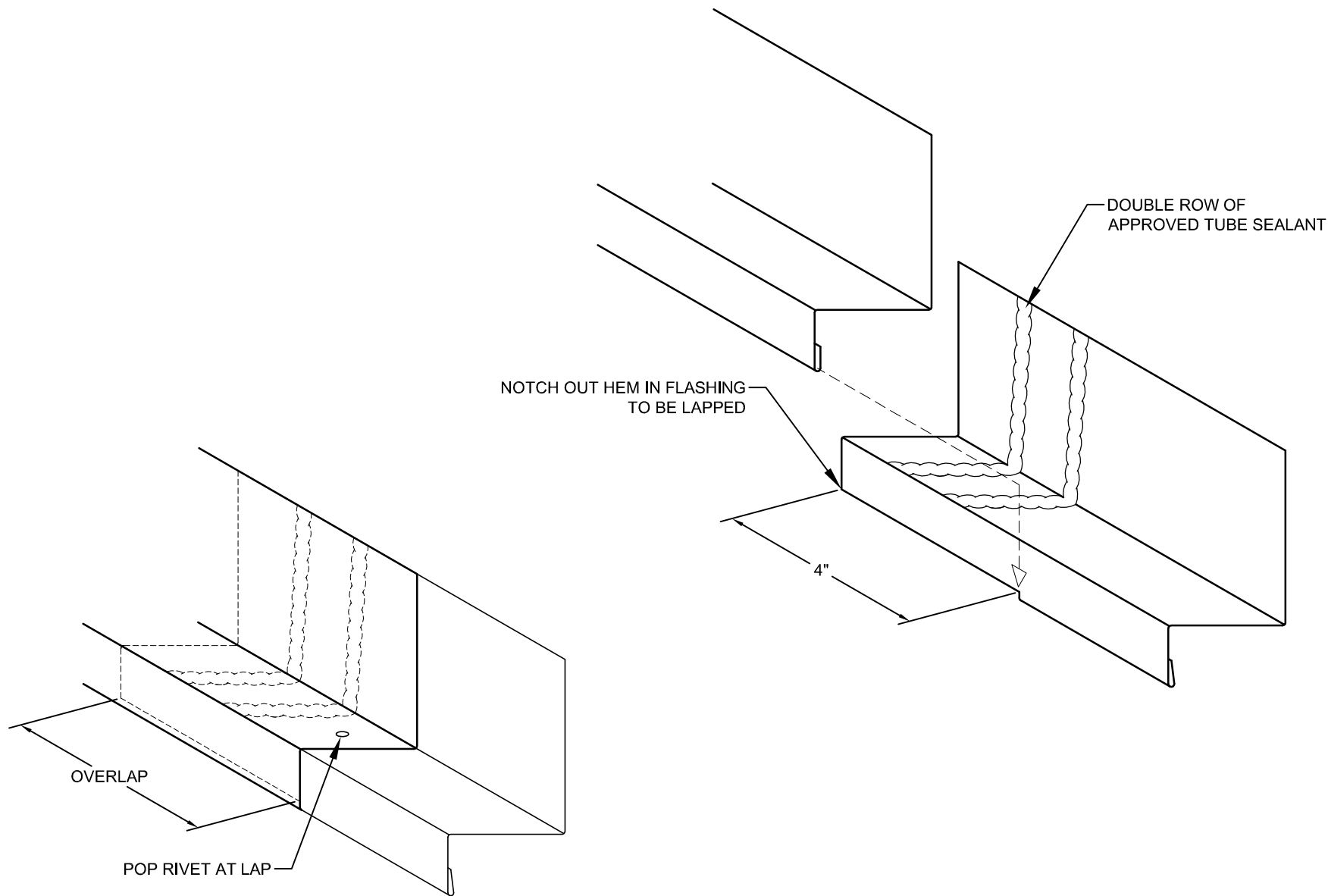


Description: **EXPANSION JOINT (MID-ROOF) - EXPANSION CLIP**

Detail No.: **ML200-WS-7.50_EX**

Substrate: **WOOD SUBSTRATE**

Project Name:
Location:



Description:

SIDEWALL LAP DETAIL

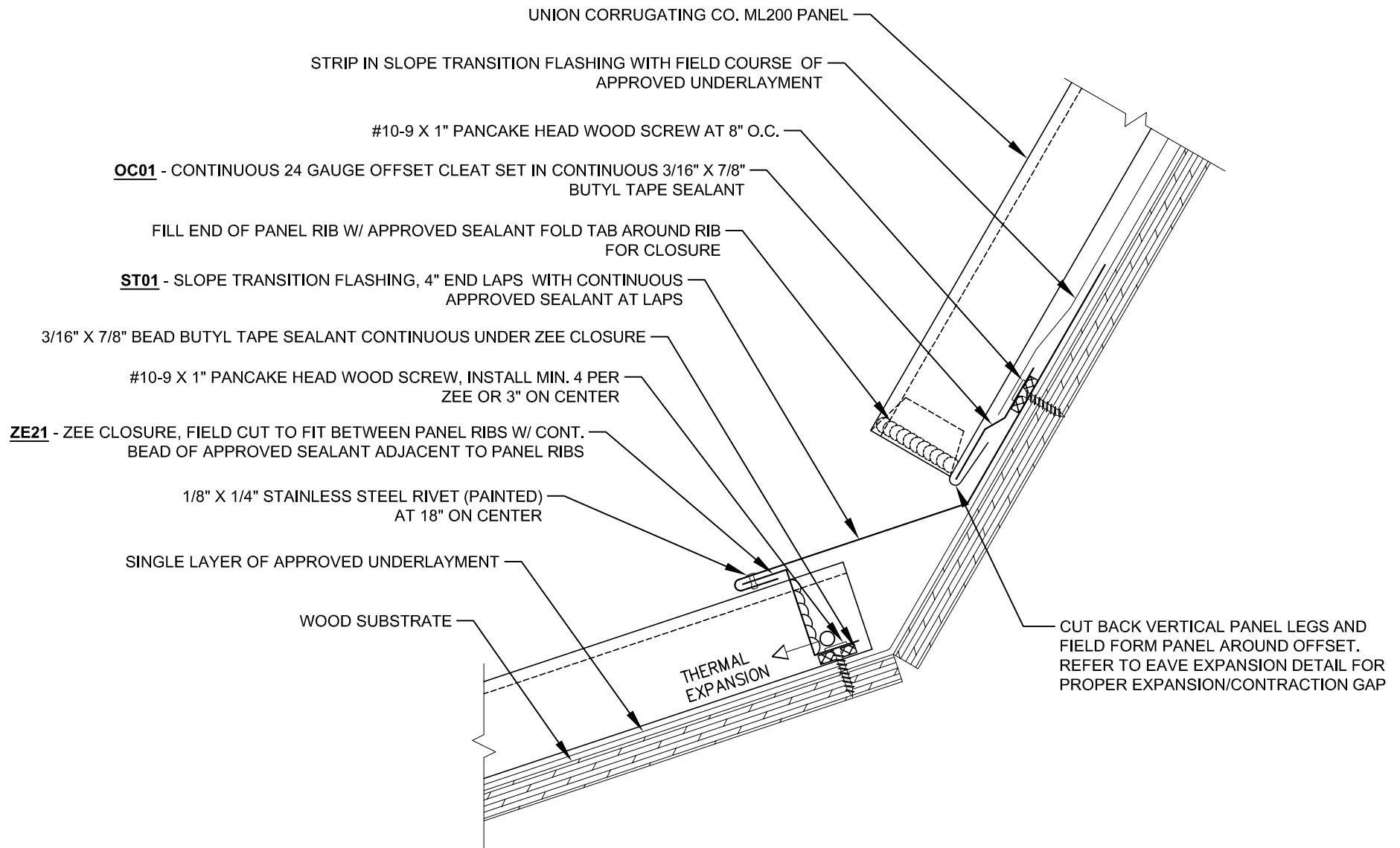
Detail No.:

ML200-7.90

Substrate:

Project Name:

Location:



Description:

SLOPE TRANSITION DETAIL - FIXED CLIP

Detail No.:

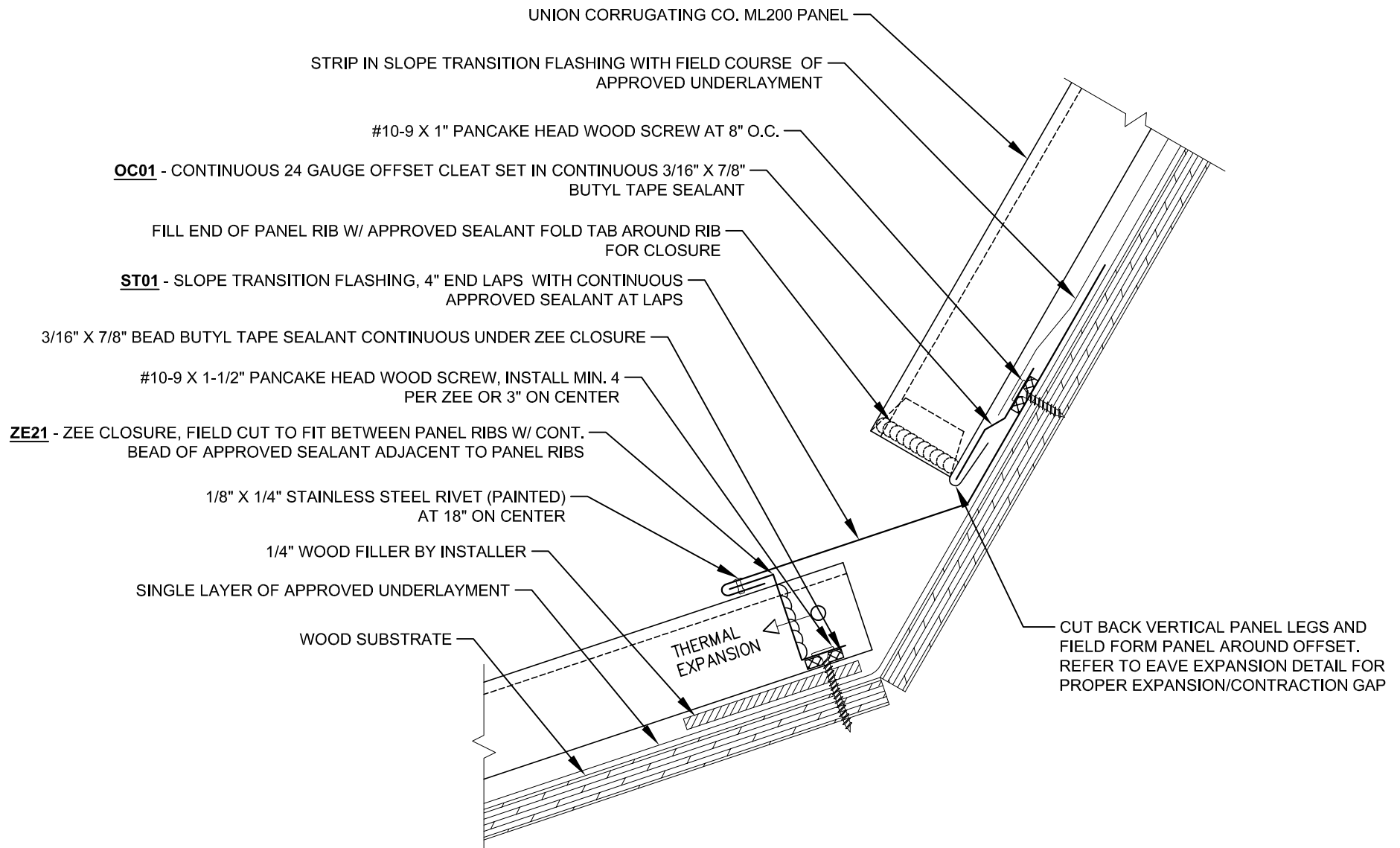
ML200-WS-8.10_FX

Substrate:

WOOD SUBSTRATE

Project Name:

Location:

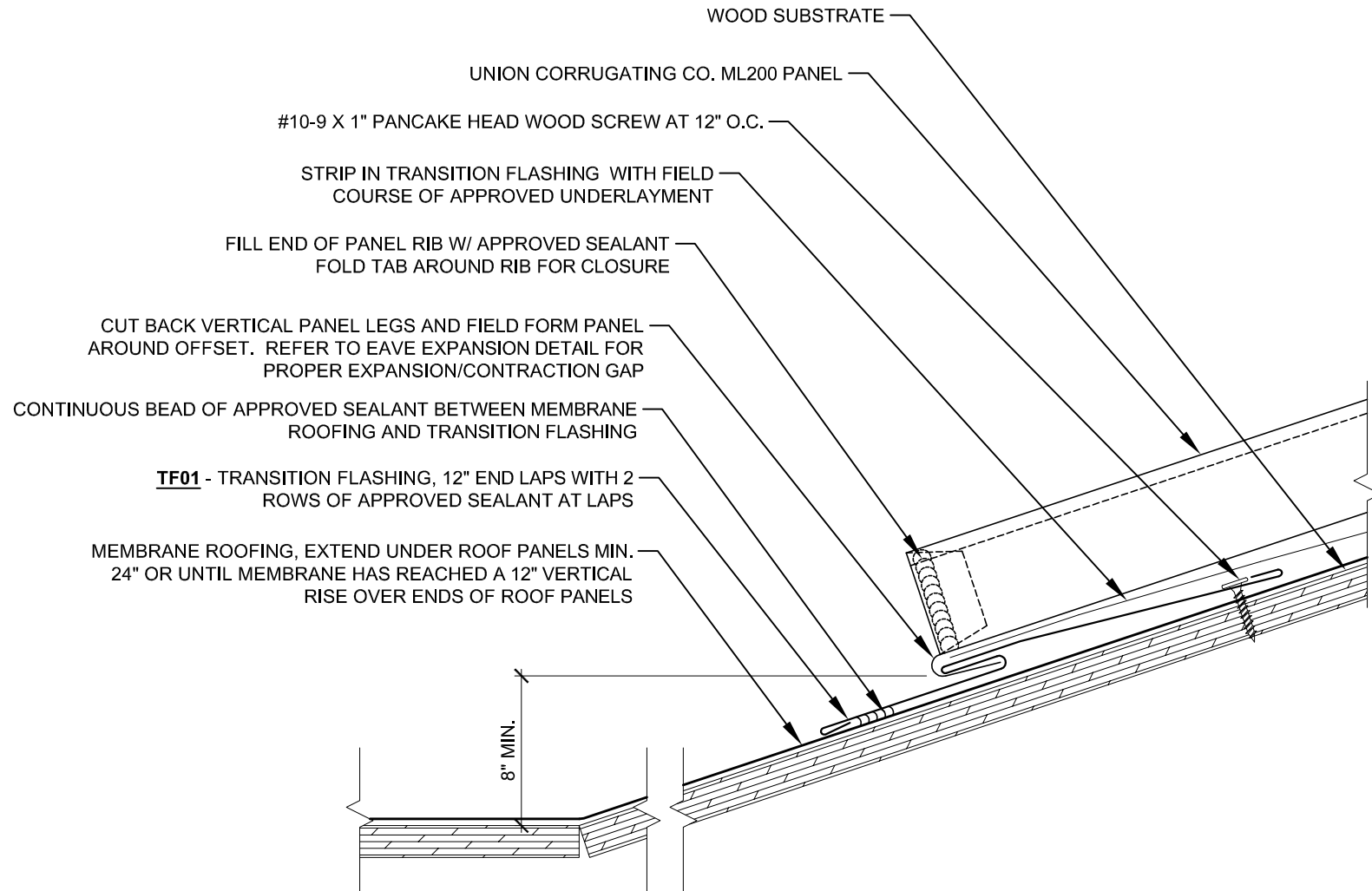


Description: **SLOPE TRANSITION DETAIL - EXPANSION CLIP**

Detail No.: **ML200-WS-8.10_EX**

Substrate: **WOOD SUBSTRATE**

Project Name:
Location:



Description:

TRANSITION AT MEMBRANE ROOFING

Detail No.:

ML200-WS-8.20

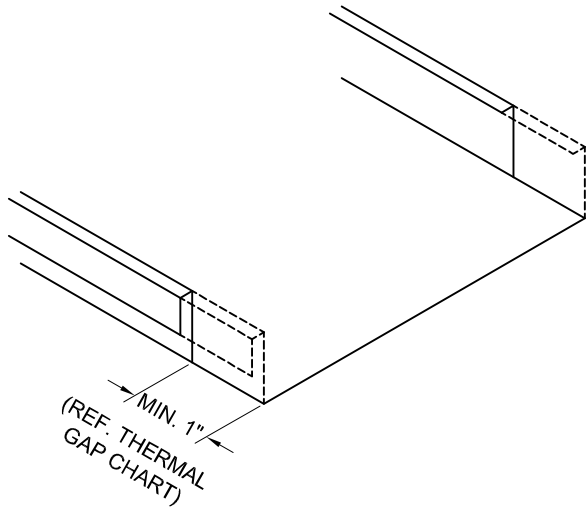
Substrate:

WOOD SUBSTRATE

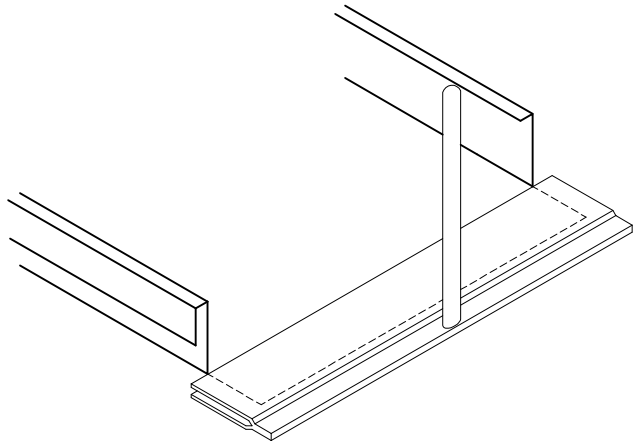
Project Name:

Location:

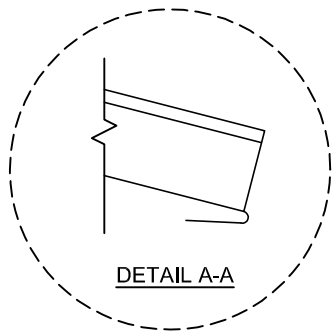
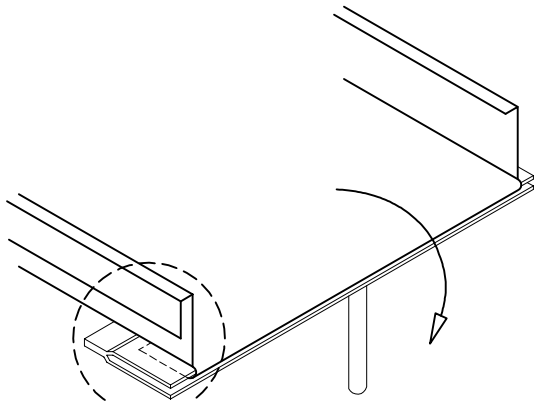
STEP 1: FIELD NOTCH RIBS AND REMOVE



STEP 2: ENGAGE PANEL HEMMING TOOL OVER FLAT PART OF PANEL TO ACCEPT OFFSET CLEAT



STEP 3: BEND TO FORM OPEN HEM



Description:

FIELD HEMMING PANEL END

Detail No.:

ML200-10.10

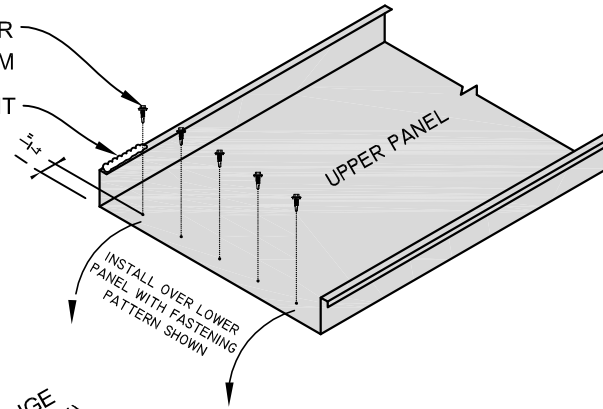
Substrate:

Project Name:

Location:

#14 x $\frac{7}{8}$ " HWH LAP TEK FASTENER W/ WASHER
ZINC CAPPED-(PAINTED) 3 $\frac{1}{4}$ " O.C. MINIMUM

ROW OF APPROVED TUBE SEALANT



INSTALL OVER LOWER
PANEL WITH FASTENING
PATTERN SHOWN

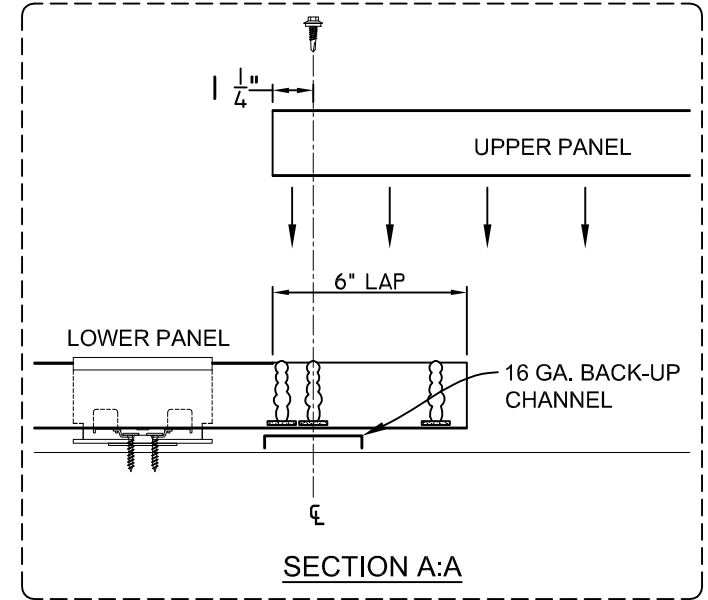
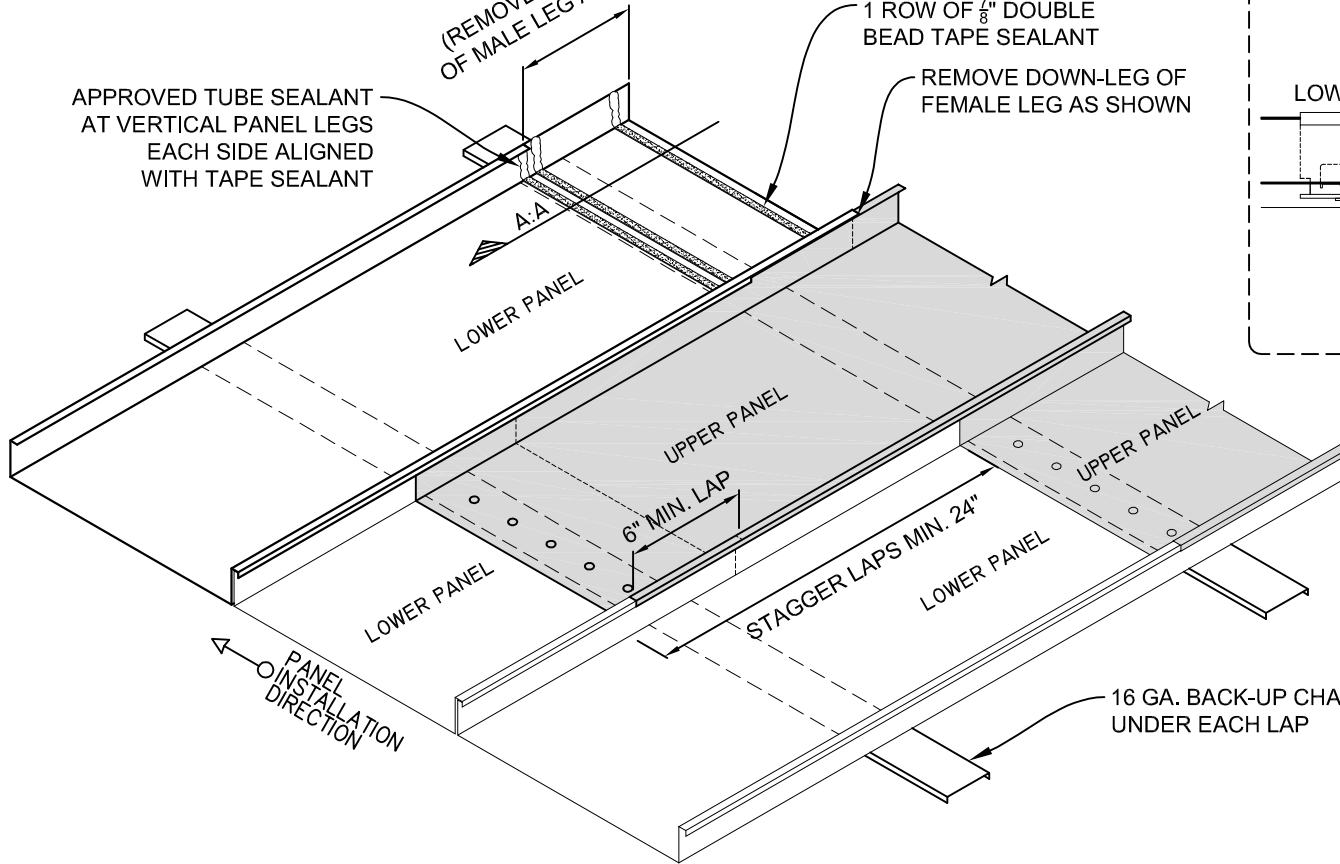
6" MIN. LAP
(REMOVE TOP FLANGE
OF MALE LEG AS SHOWN)

1 ROW OF $\frac{7}{8}$ " DOUBLE
BEAD TAPE SEALANT

REMOVE DOWN-LEG OF
FEMALE LEG AS SHOWN

APPROVED TUBE SEALANT
AT VERTICAL PANEL LEGS
EACH SIDE ALIGNED
WITH TAPE SEALANT

A:A



SECTION A:A



Description: **PANEL LAP DETAIL - LOW SLOPE (LESS THAN 3:12)**

Substrate:

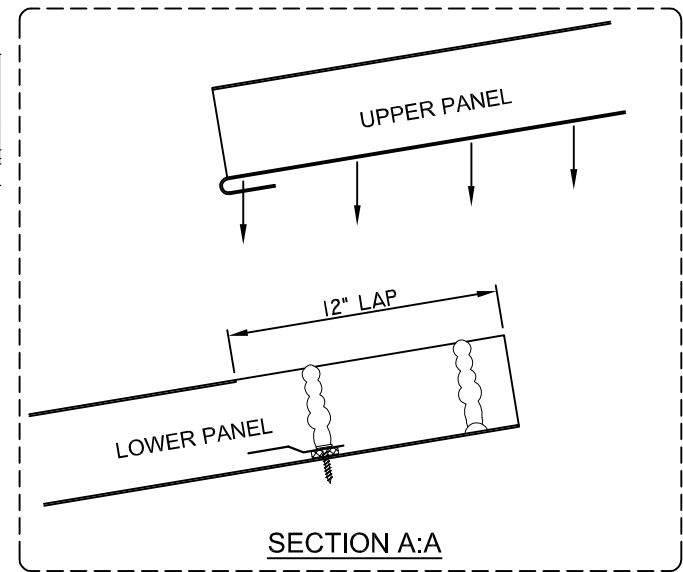
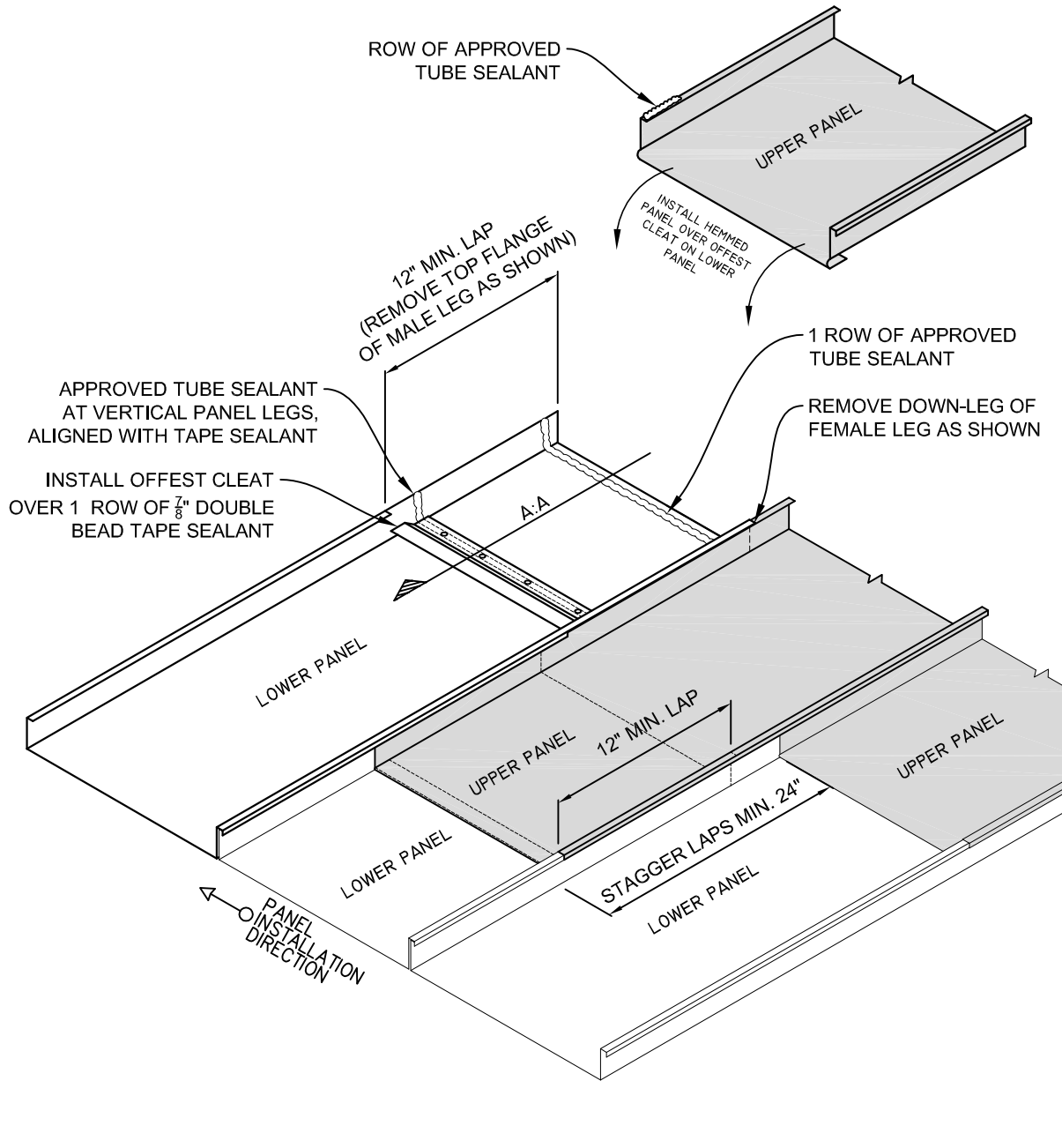
Project Name:

Location:

Detail No.:

ML200-LAP-10.14

IMPORTANT INSTALLATION NOTE
 THIS DETAIL NOT RECOMMENDED
 FOR SLOPES LESS THAN 3:12.



Description:

PANEL LAP DETAIL - STEEP SLOPE

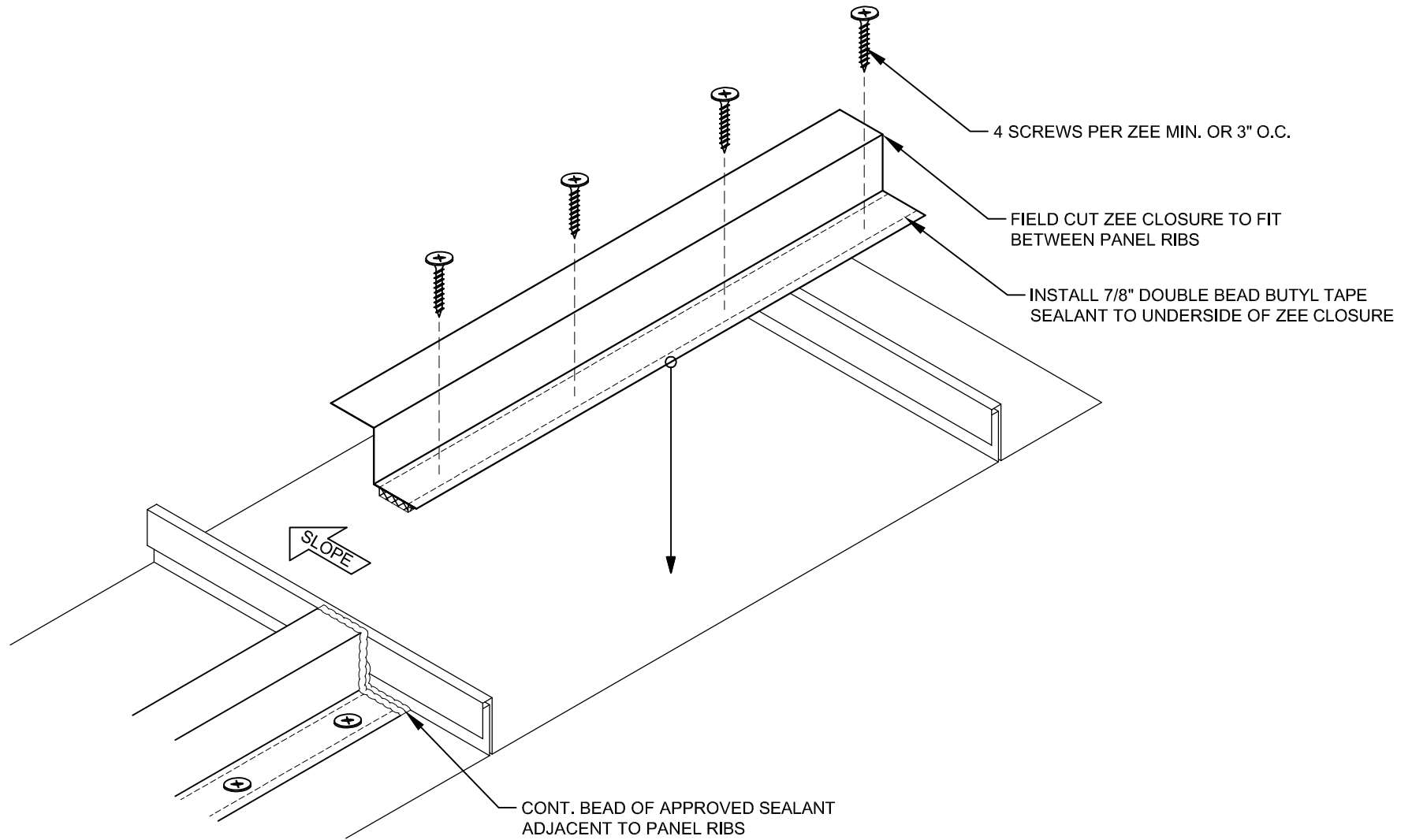
Detail No.:

ML200-LAP-10.15

Substrate:

Project Name:

Location:



Description:

ZEE CLOSURE INSTALLATION

Detail No.:

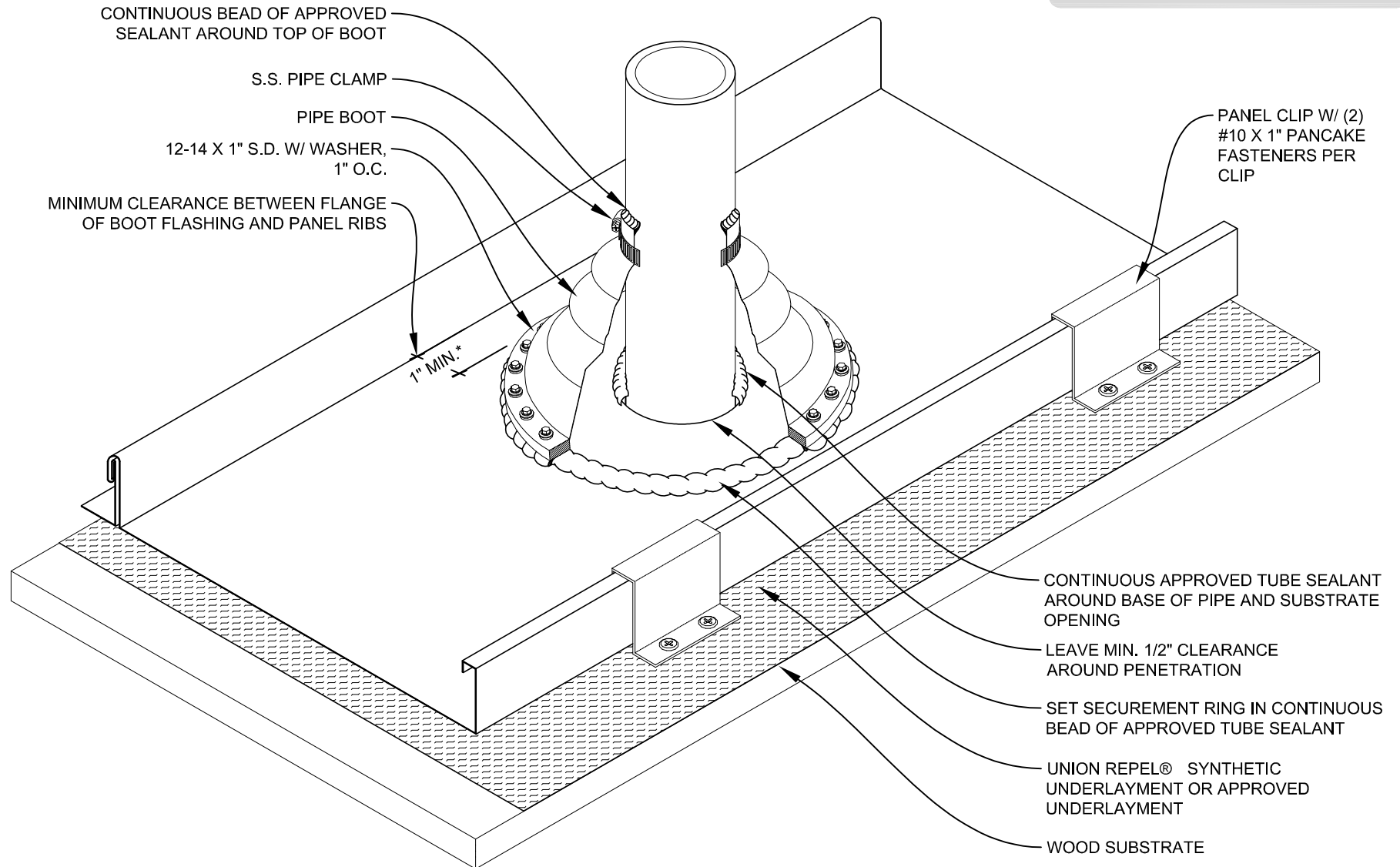
ML200-10.20

Substrate:

Project Name:

Location:

IMPORTANT INSTALLATION NOTE
 WHEN BOOT SIZE EXCEEDS MINIMUM
 CLEARANCE OF 1", REFER TO CURB DETAILS.



Description: **PIPE PENETRATION**

Substrate: **WOOD SUBSTRATE**

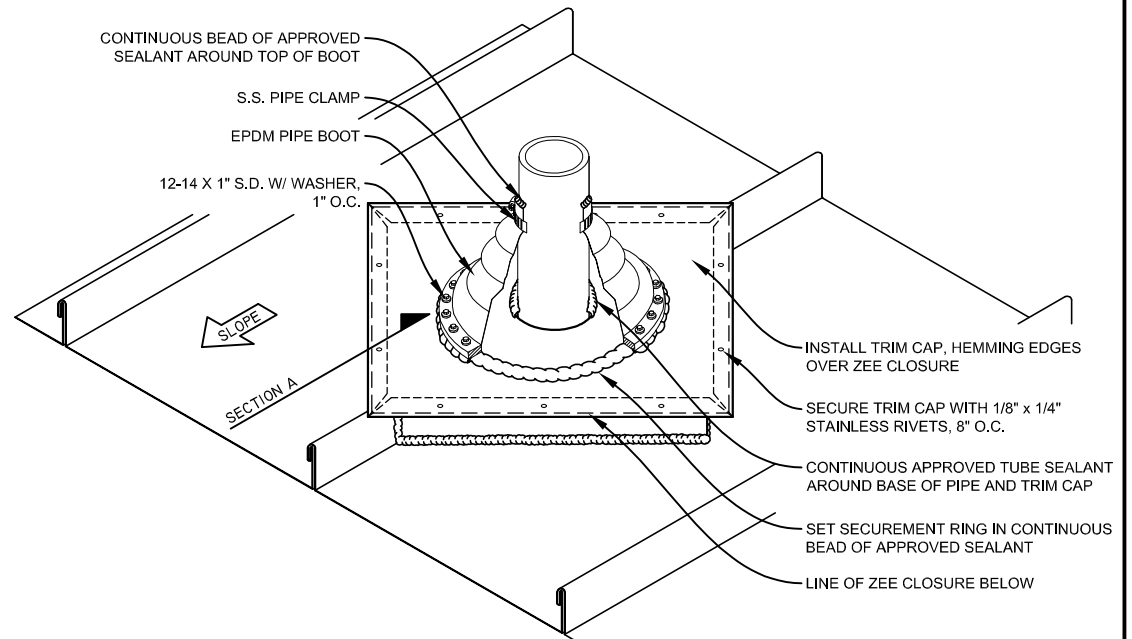
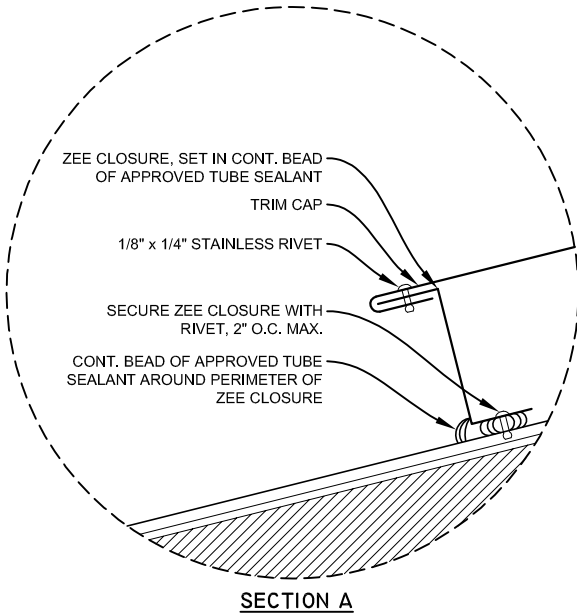
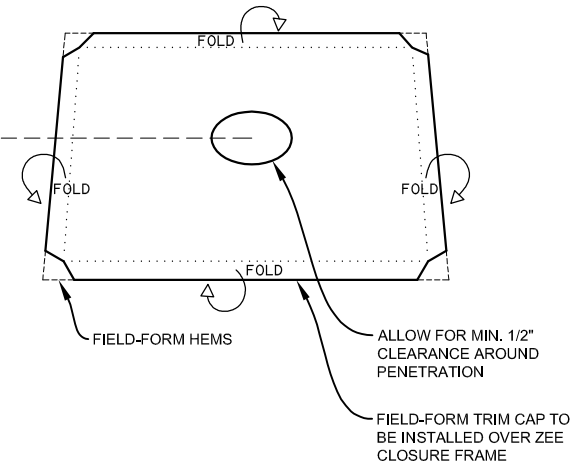
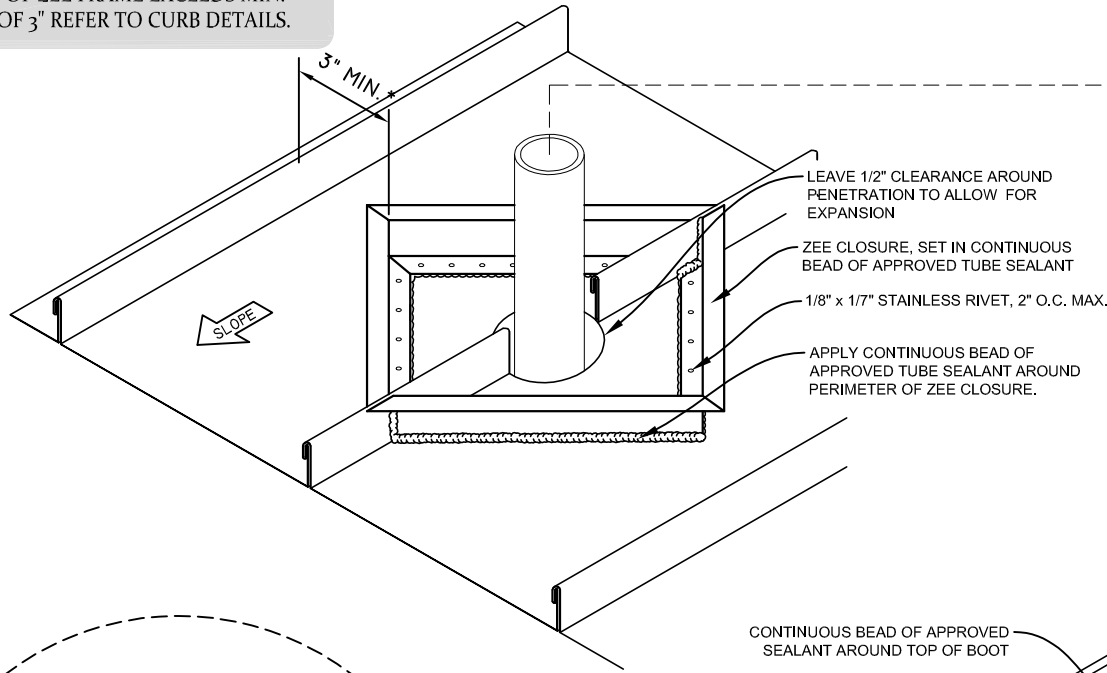
Project Name:

Location:

Detail No.: **ML200-WS-10.30**

IMPORTANT INSTALLATION NOTE

*WHEN BASE OF ZEE FRAME EXCEEDS MIN. CLEARANCE OF 3" REFER TO CURB DETAILS.



Description:

PIPE PENETRATION THROUGH PANEL RIB

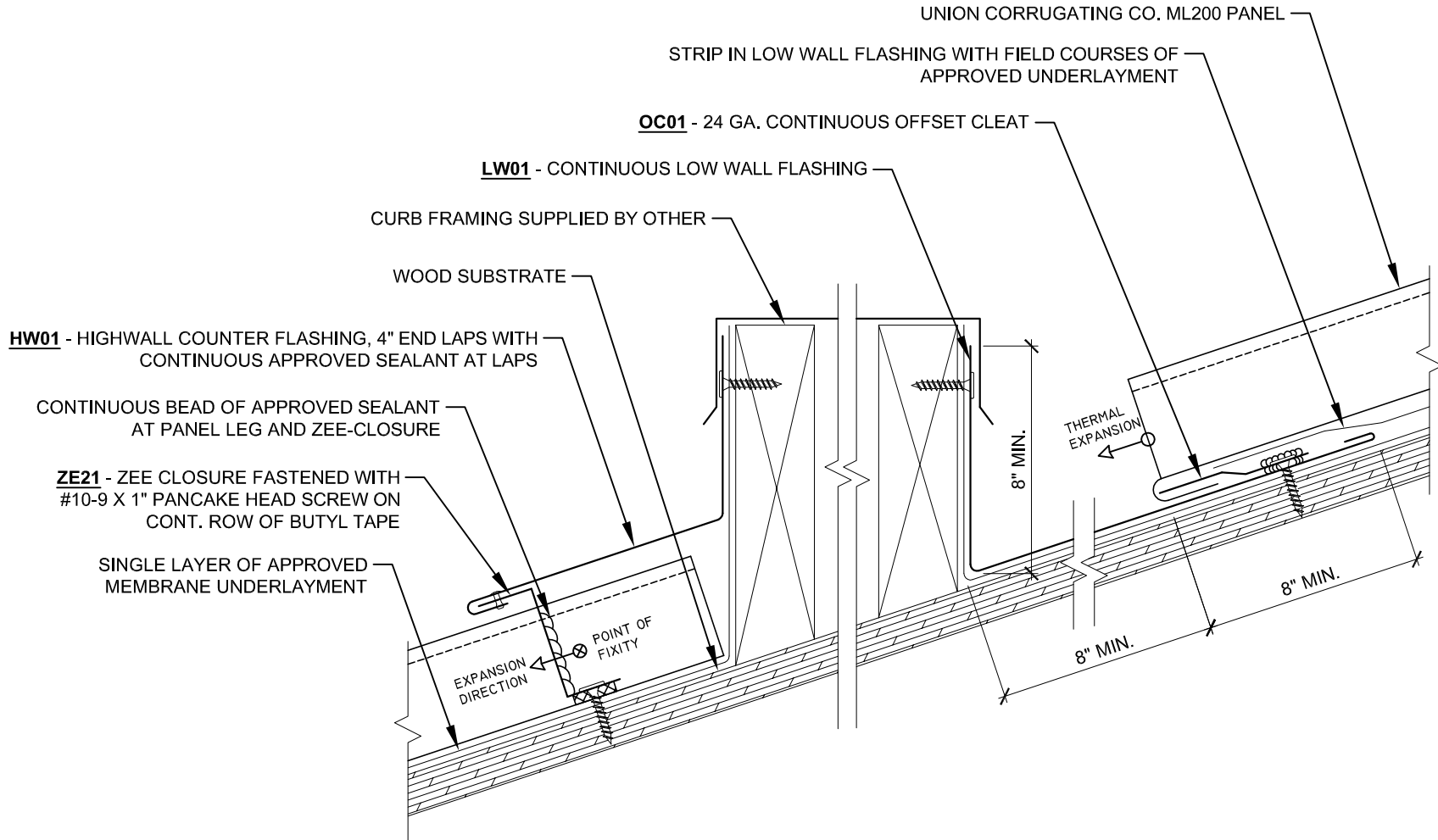
Detail No.:

ML200-10.31

Substrate:

Project Name:

Location:



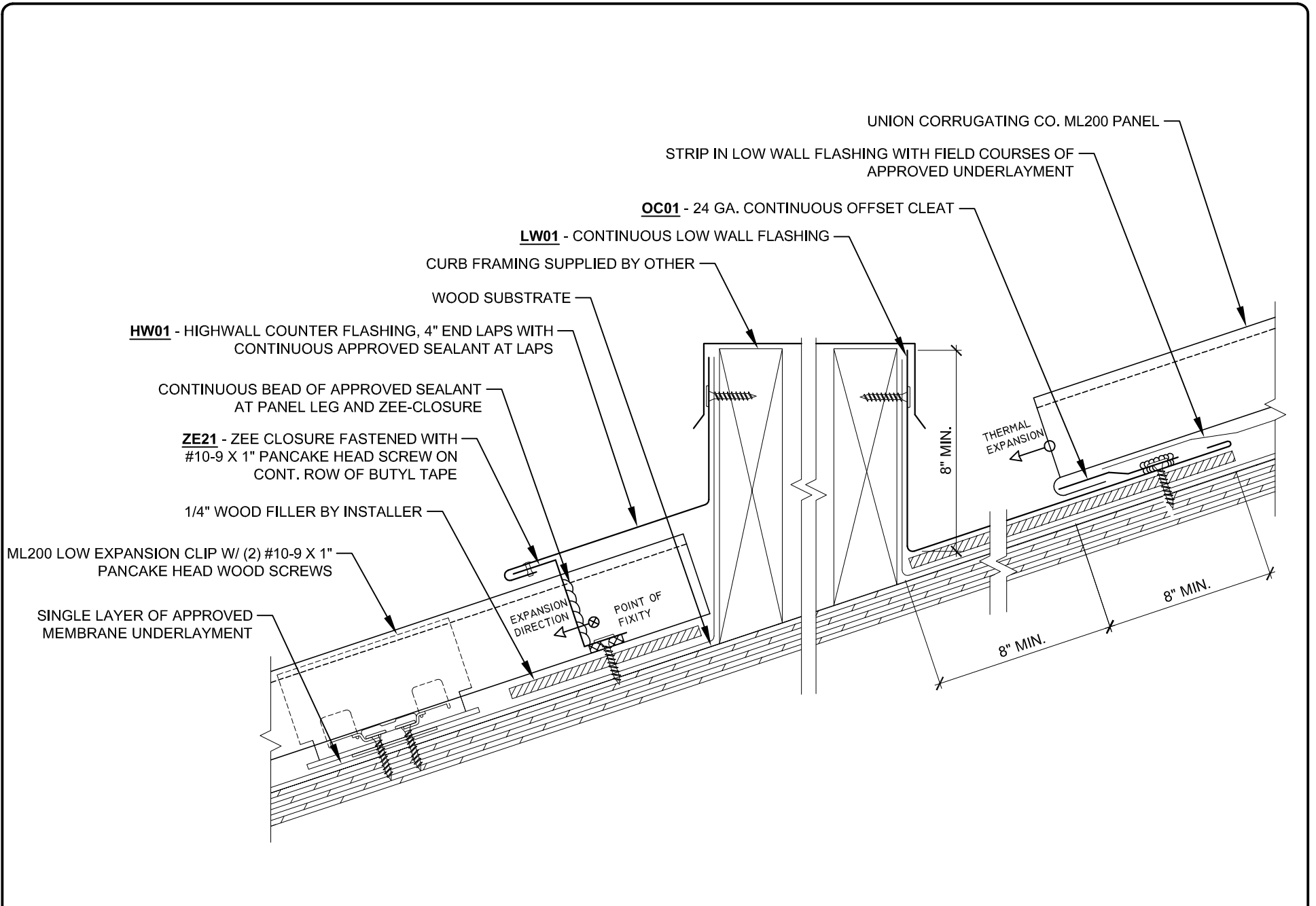
Description: **LOW WALL & HIGHWALL @ CURB - FIXED CLIP**

Substrate: **WOOD SUBSTRATE**

Detail No.: **ML200-WS-10.40_FX**

Project Name:

Location:



Description: **LOW WALL & HIGHWALL @ CURB - EXPANSION CLIP**

Substrate: **WOOD SUBSTRATE**

Detail No.: **ML200-WS-10.40_EX**

Project Name:
Location:

SW02 - SIDEWALL COUNTER FLASHING, 4" END LAPS
WITH CONTINUOUS APPROVED SEALANT AT LAPS

PANEL LEG OR FIELD FORM PANEL LEG (MIN. 1-1/4")

ZE21 - ZEE CLOSURE FASTENED WITH
#10-9 X 1" PANCAKE HEAD SCREW

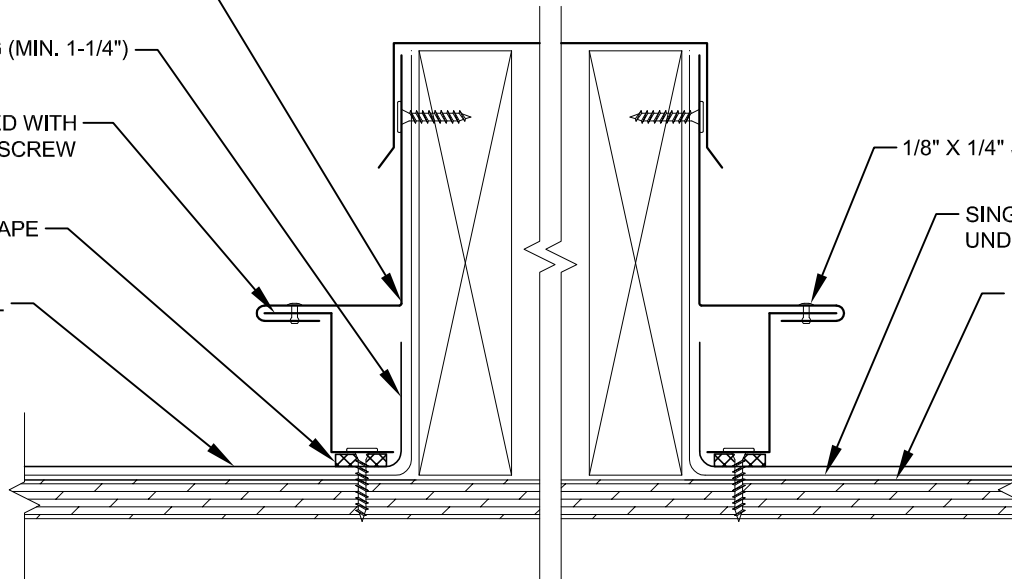
CONTINUOUS ROW OF BUTYL TAPE

UNION CORRUGATING CO. ML200 PANEL

1/8" X 1/4" STAINLESS STEEL RIVET

SINGLE LAYER OF APPROVED
UNDERLAYMENT

WOOD SUBSTRATE



Description:

SIDEWALL @ CURB - FIXED CLIP

Detail No.:

ML200-WS-10.41_FX

Substrate:

WOOD SUBSTRATE

Project Name:

Location:

SW02 - SIDEWALL COUNTER FLASHING, 4" END LAPS
WITH CONTINUOUS APPROVED SEALANT AT LAPS

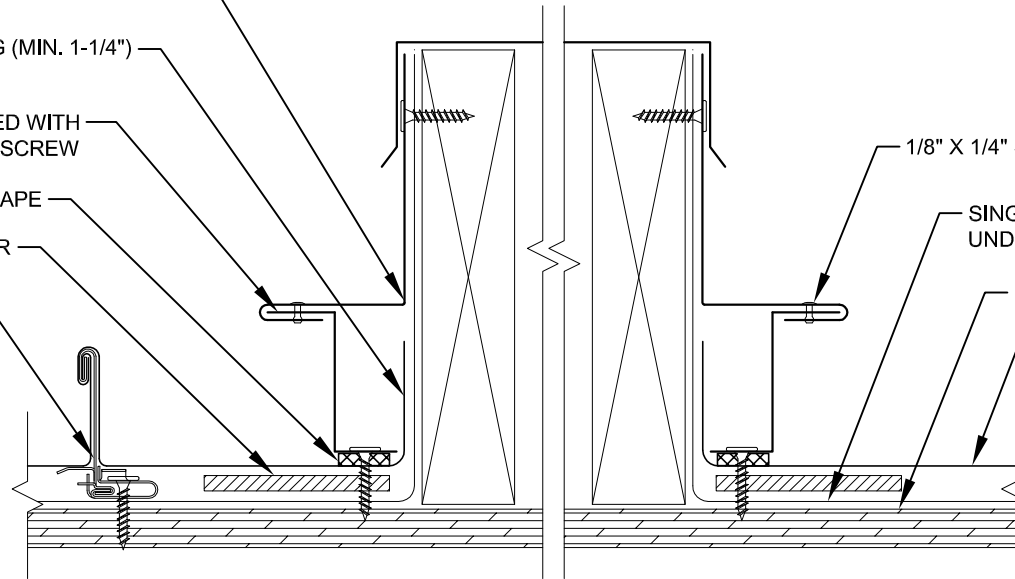
PANEL LEG OR FIELD FORM PANEL LEG (MIN. 1-1/4")

ZE21 - ZEE CLOSURE FASTENED WITH
#10-9 X 1" PANCAKE HEAD SCREW

CONTINUOUS ROW OF BUTYL TAPE

1/4" WOOD FILLER BY INSTALLER

ML200 LOW EXPANSION CLIP W/
(2) #10-9 X 1" PANCAKE HEAD
WOOD SCREWS



1/8" X 1/4" STAINLESS STEEL RIVET

SINGLE LAYER OF APPROVED
UNDERLAYMENT

WOOD SUBSTRATE

UNION CORRUGATING CO.
ML200 PANEL



Description:

SIDEWALL @ CURB - EXPANSION CLIP

Detail No.:

ML200-WS-10.41_EX

Substrate:

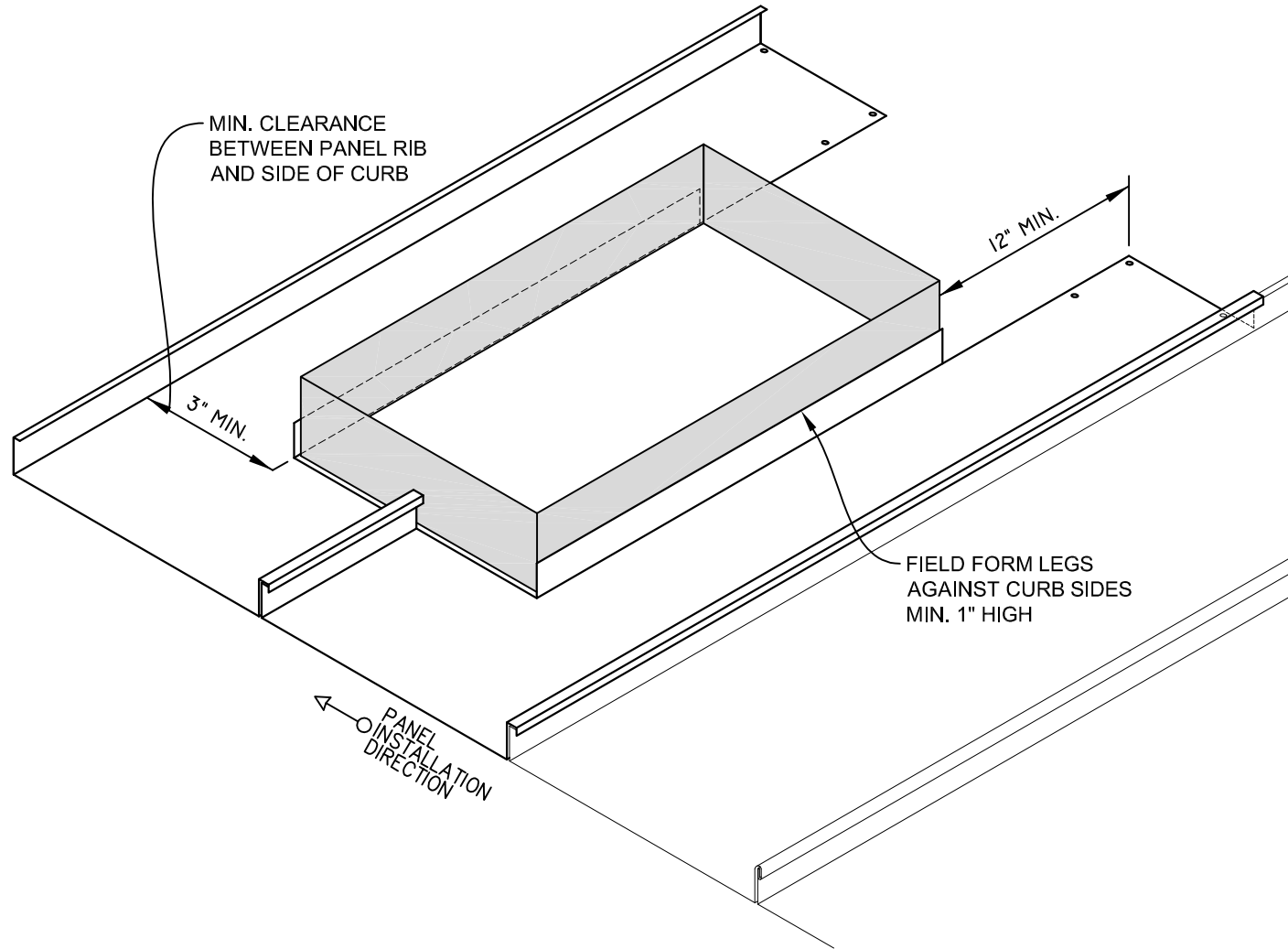
WOOD SUBSTRATE

Project Name:

Location:

STEP 1

INSTALL PANELS
AROUND CURB



Description:

ML200 CURB DETAILS - STEP 1

Detail No.:

ML200-CRB: 1 of 6

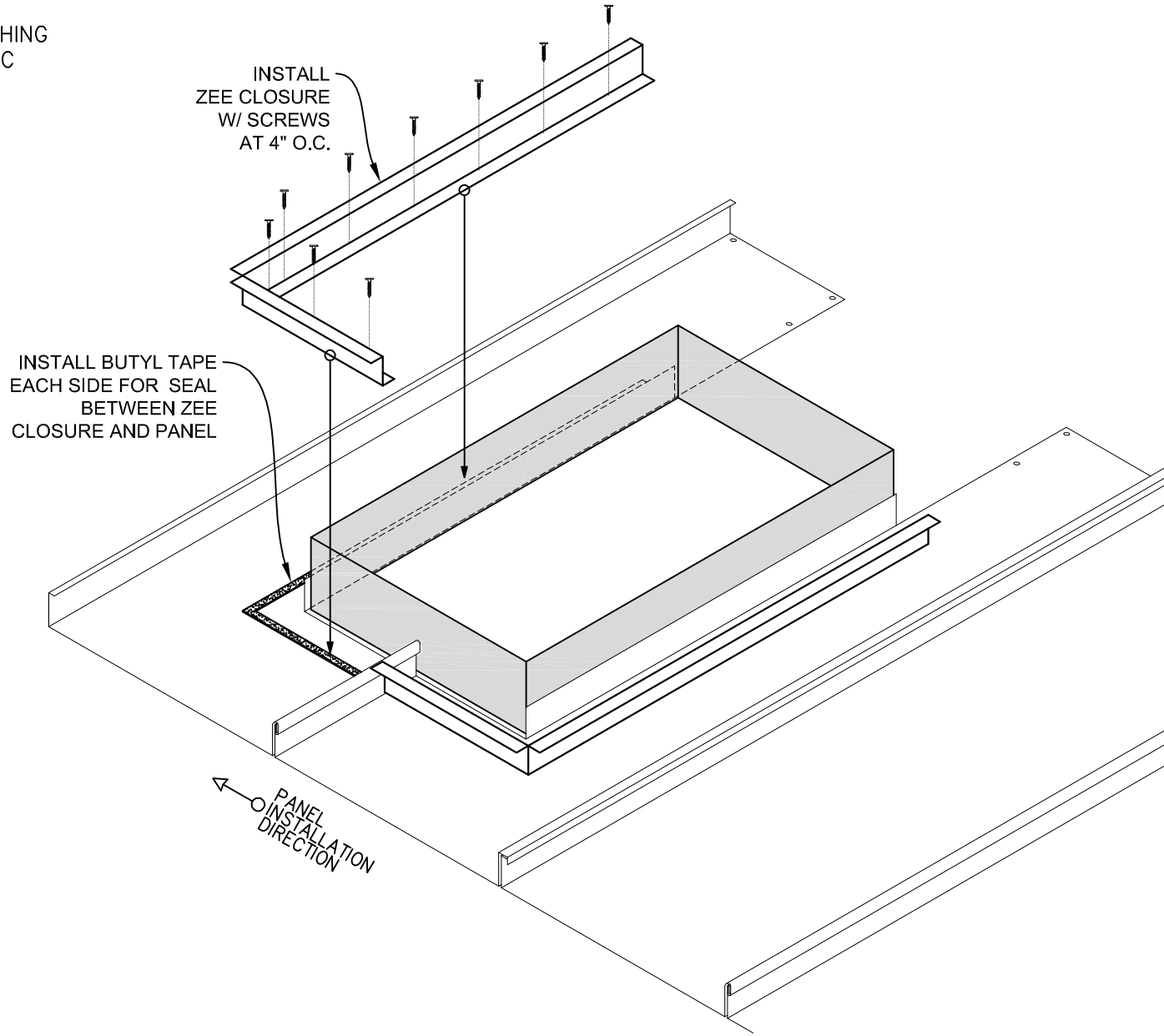
Substrate:

Project Name:

Location:

STEP 2

APPLY ZEE CLOSURE FLASHING
OVER DOUBLE BEAD MASTIC



Description:

ML200 CURB DETAILS - STEP 2

Detail No.:

ML200-CRB: 2 of 6

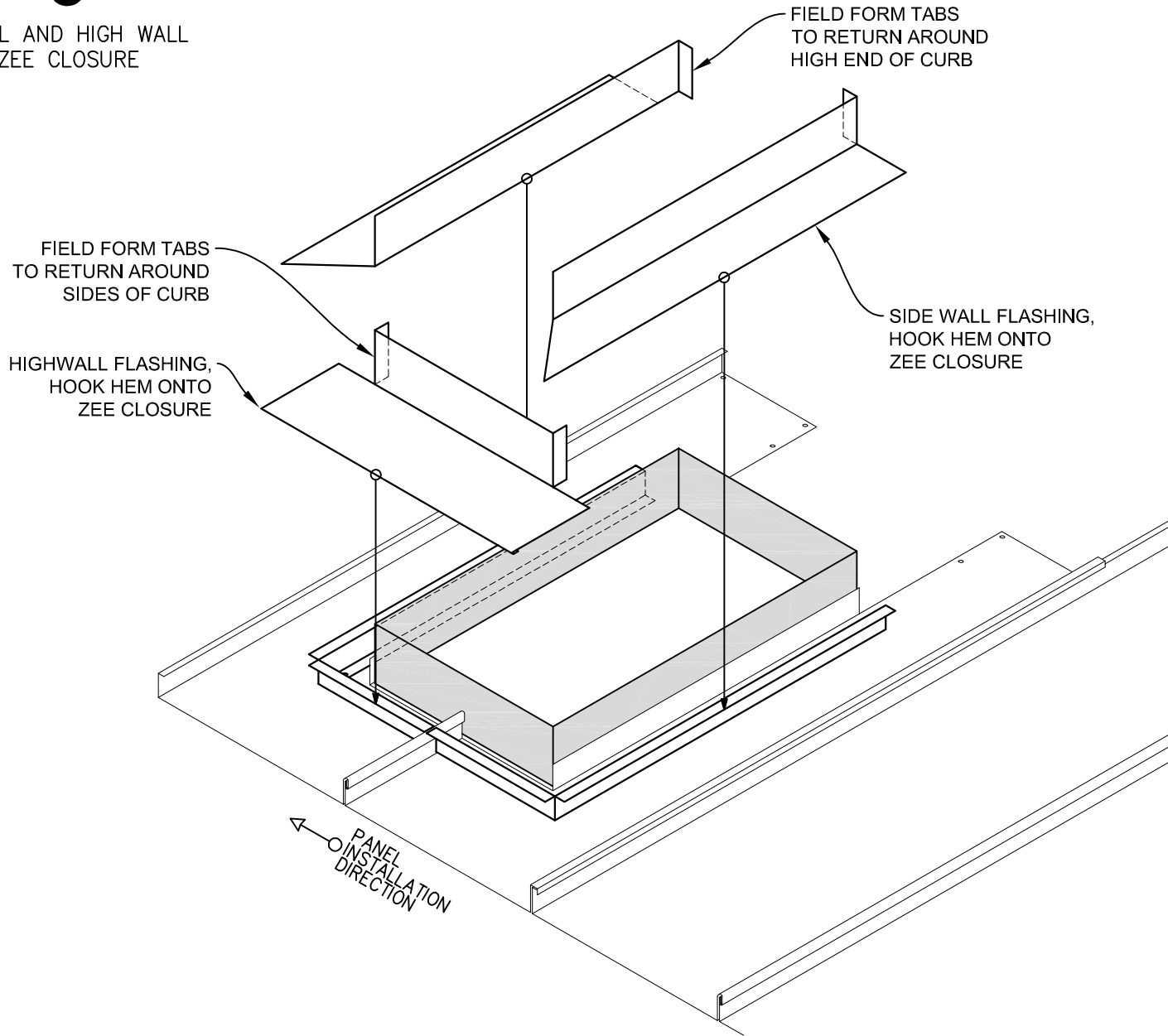
Substrate:

Project Name:

Location:

STEP 3

INSTALL SIDE WALL AND HIGH WALL FLASHINGS ATOP ZEE CLOSURE



Description:

ML200 CURB DETAILS - STEP 3

Detail No.:

ML200-CRB: 3 of 6

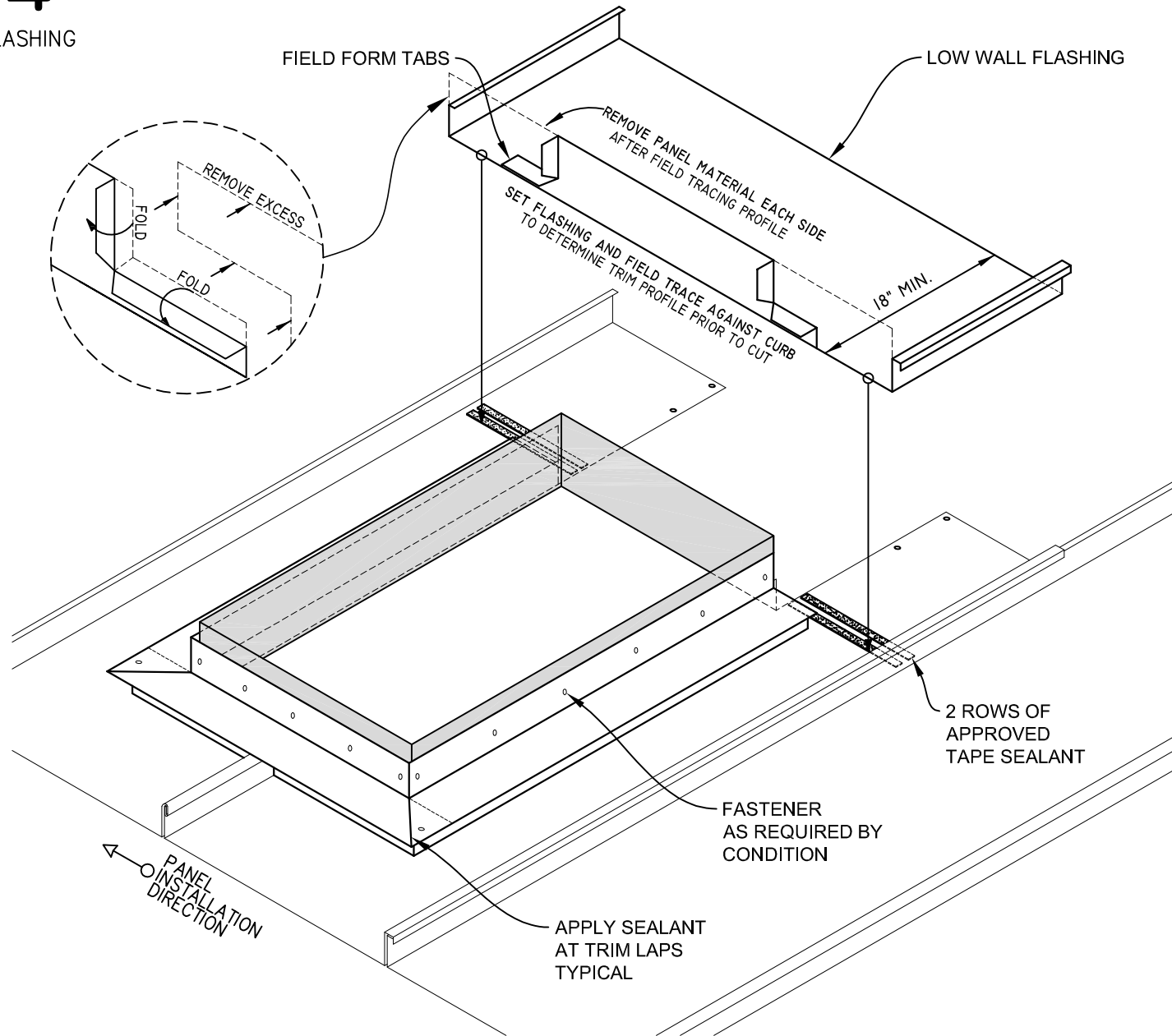
Substrate:

Project Name:

Location:

STEP 4

INSTALL LOW WALL FLASHING



Description:

ML200 CURB DETAILS - STEP 4

Detail No.:

ML200-CRB: 4 of 6

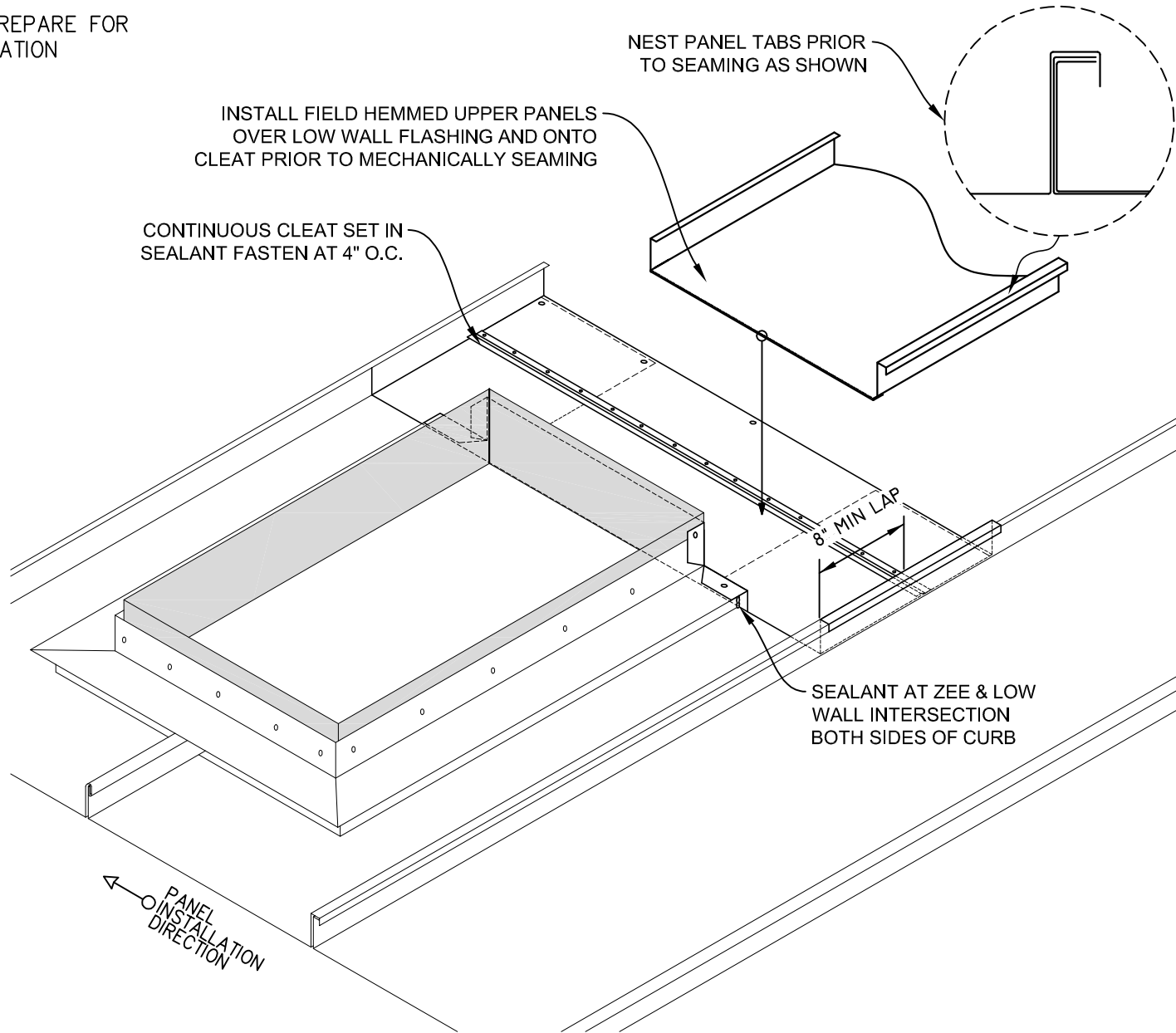
Substrate:

Project Name:

Location:

STEP 5

INSTALL CLEAT AND PREPARE FOR UPPER PANEL INSTALLATION



Description:

ML200 CURB DETAILS - STEP 5

Detail No.:

ML200-CRB: 5 of 6

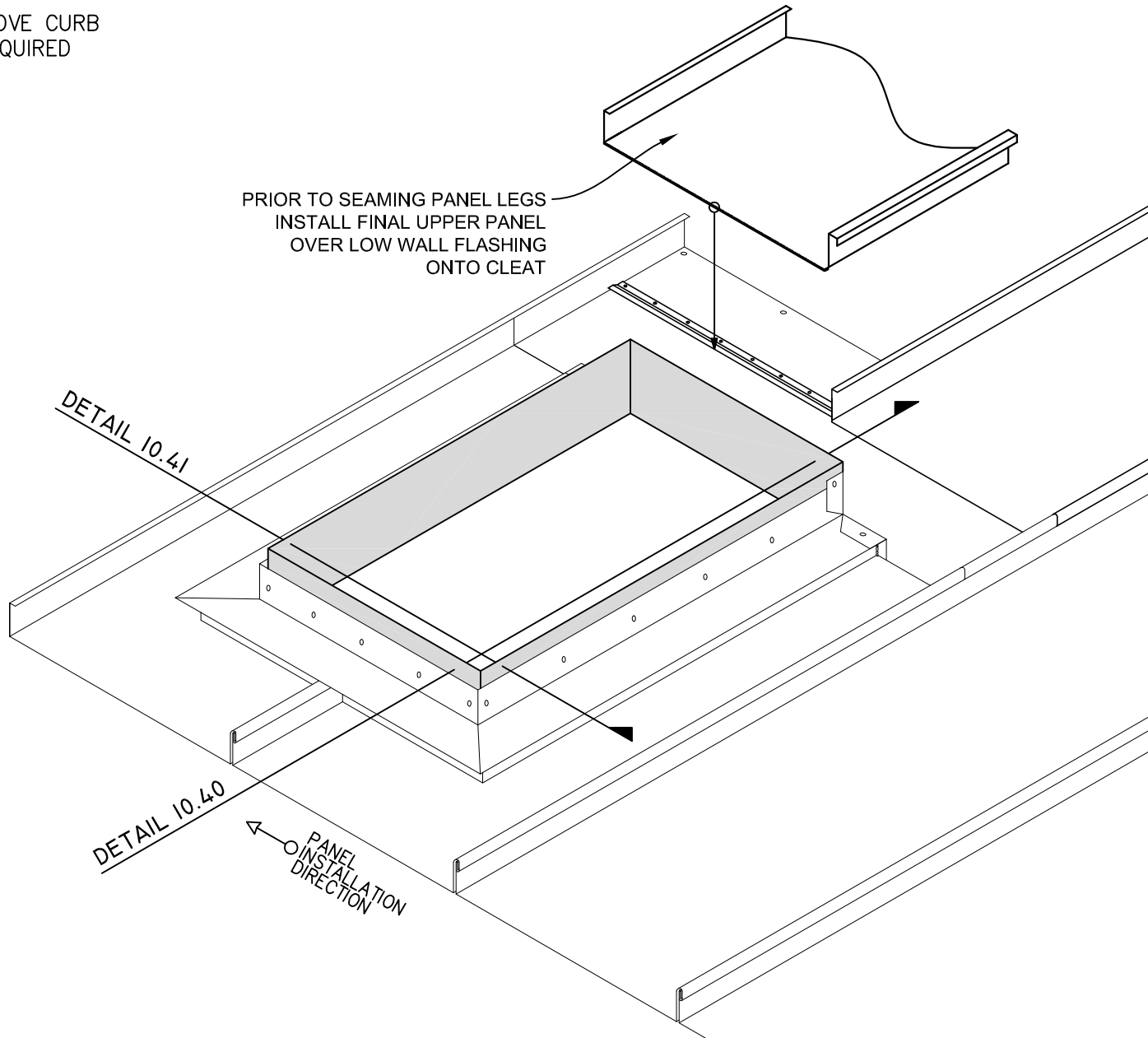
Substrate:

Project Name:

Location:

STEP 6

INSTALL FINAL PANEL ABOVE CURB
SEAL AND FASTEN AS REQUIRED



Description:

ML200 CURB DETAILS - STEP 6

Detail No.:

ML200-CRB: 6 of 6

Substrate:

Project Name:

Location: